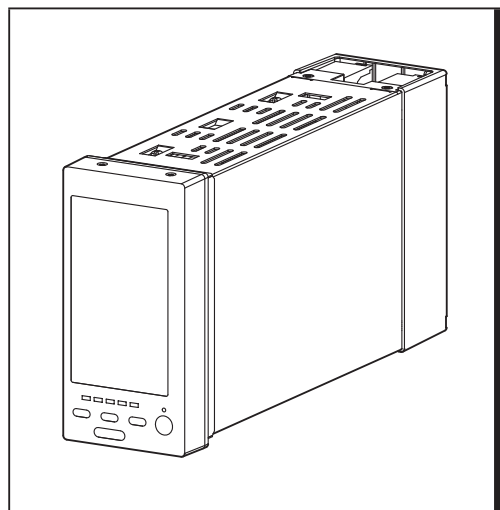


PSC100/200 Series
MULTI-FUNCTION PID CONTROLLER
USERS MANUAL



Applicable
Models

PSC100
PSC110
PSC200
PSC210

Fuji Electric France S.A.S.

46, Rue Georges Besse - Z I du Brézet - 63 039 Clermont-Ferrand cedex 2 FRANCE

France : Tél. 04 73 98 26 98 - Fax 04 73 98 26 99 - International : Tél. (33) 4 7398 2698 - Fax. (33) 4 7398 2699

E-mail : sales.dpt@fujielectric.fr – WEB : www.fujielectric.fr

Contents

1. BEFORE USE	7
2. FUNCTION DESCRIPTIONS	9
3. SPECIFICATIONS	10
3.1 MODEL NUMBERING	10
3.2 RELATED PRODUCTS.....	10
3.3 GENERAL SPECIFICATIONS	11
3.4 DISPLAY	11
3.5 EXTERNAL INTERFACE PSC200/210	12
3.6 SUPPLY OUTPUT	12
3.7 INPUT SPECIFICATIONS.....	13
3.8 OUTPUT SPECIFICATIONS.....	15
3.9 INSTALLATION	15
3.10 PERFORMANCE	16
3.11 STANDARDS & APPROVALS	16
3.12 FRONT PANEL CONFIGURATION.....	17
3.12.1 SC100/200 FRONT PANEL CONFIGURATION	17
3.12.2 SC110/210 FRONT PANEL CONFIGURATION (MV output backup type).....	18
3.13 SYSTEM CONFIGURATION EXAMPLE	19
4. INSTALLATION	21
4.1 GENERAL PRECAUTIONS	21
4.2 ENVIRONMENT	22
4.2.1 SURROUNDING ENVIRONMENT.....	22
4.2.2 INSTALLATION INSIDE A CONTROL CABINET	22
4.3 POWER SYSTEM	24
4.3.1 POWER SYSTEM WIRING	24
4.3.2 NOISE PRECAUTIONS	24
4.4 GROUNDING SYSTEM	25
4.5 I/O SIGNAL SYSTEM.....	26
4.6 NESTBUS PSC200/210	27
4.6.1 NESTBUS CONNECTION	27
4.6.2 CABLE INSTALLATION	28
4.7 MODBUS-RTU PSC200/210	29
4.7.1 Modbus-RTU CONNECTION.....	29
4.7.2 CABLE INSTALLATION.....	30
4.8 MOUNTING ON A PANEL	31
4.8.1 MOUNTING PROCEDURE.....	31
4.8.2 PANEL CUTOOUT	31
4.8.3 EXTERNAL DIMENSIONS & TERMINAL ASSIGNMENTS	32
4.9 CONNECTION DIAGRAM	34

5. DEFAULT LOOP CONFIGURATION	37
5.1 GENERAL DESCRIPTIONS.....	37
5.2 EX-FACTORY SETTING.....	37
6. DISPLAY OPERATIONS	39
6.1 GENERAL DESCRIPTIONS.....	39
6.2 OPERATION VIEWS.....	41
6.2.1 DIGITAL DISPLAY VIEW.....	41
6.2.1.1 SCREEN COMPONENTS	41
6.2.1.2 DIGITAL DISPLAY OPERATIONS.....	42
6.2.2 BARGRAPH DISPLAY VIEW	43
6.2.2.1 SCREEN COMPONENTS.....	43
6.2.2.2 BARGRAPH DISPLAY VIEW OPERATIONS	44
6.2.3 DUAL LOOP BARGRAPH VIEW.....	45
6.2.3.1 SCREEN COMPONENTS.....	45
6.2.3.2 DUAL-BARGRAPH VIEW OPERATIONS.....	46
6.2.4 SHORT TREND VIEW.....	47
6.2.4.1 SCREEN COMPONENTS.....	47
6.2.4.2 SHORT TREND VIEW OPERATIONS.....	48
6.2.5 USER'S PARAMETER TABLE 1.50	49
6.2.5.1 SCREEN COMPONENTS.....	49
6.2.5.2 OPERATIONS	50
6.3 ENGINEERING VIEWS	51
6.3.1 CONFIGURATION VIEW	51
6.3.1.1 SCREEN COMPONENTS	51
6.3.1.2 CONFIGURATION VIEW OPERATIONS	52
6.3.1.3 CONFIGURATION PARAMETERS	53
6.3.1.4 CONFIG MODE	55
6.3.1.5 BACK LIGHT OFF.....	55
6.3.1.6 BACK LIGHT BRIGHTNESS	55
6.3.1.7 SCREEN SAVER (time)	55
6.3.1.8 PV INPUT TYPE	55
6.3.1.9 COLD JUNCTION COMPENSATION (Pv).....	55
6.3.1.10 TEMPERATURE RANGE (Pv)	55
6.3.1.11 MV 0/100% SYMBOL	55
6.3.1.12 LOOP DISPLAY (MV/OP).....	56
6.3.1.13 LOOP VARIABLES.....	56
6.3.1.14 GRAPH SCALE DIVISIONS.....	56
6.3.1.15 DECIMALS (% display)	56
6.3.1.16 ALARM BLINKING	57
6.3.1.17 BARGRAPH COLOR	57
6.3.1.18 DIGITAL DISPLAY COLOR	57
6.3.1.19 TREND RECORDING	57
6.3.1.20 STORING INTERVAL.....	57
6.3.1.21 TREND CHANNEL.....	57
6.3.1.22 TREND GRAPH COLOR	57
6.3.1.23 SELECTED LOOP COLOR.....	57

6.3.1.24	DATE AND TIME	57
6.3.1.25	TOUCH TONE	57
6.3.1.26	AL1-4 MESSAGE	57
6.3.1.27	SELECT OPERATION VIEW	57
6.3.1.28	SELECT UNIT MODE	57
6.3.1.29	PRG MODE INDICATOR 1.50	57
6.3.1.30	NUMERICAL KEY CONTROL 1.50	57
6.3.1.31	START MODE	58
6.3.1.32	NESTBUS PSC200/210	58
6.3.1.33	MODBUS-RTU PSC200/210	58
6.3.1.34	MODBUS/TCP PSC200/210	58
6.3.1.35	INITIALIZE	58
6.3.1.36	CALIBRATE TOUCH PANEL	58
6.3.1.37	LED TEST PSC110/210	58
6.3.1.38	LANGUAGE	58
6.3.1.39	VERSION	58
6.3.1.40	SETTING EXAMPLES	59
6.3.2	PROGRAMMING VIEW	61
6.3.2.1	SCREEN COMPONENTS	61
6.3.2.2	PROGRAMMING VIEW OPERATIONS	62
6.3.3	TUNING (AUTO-TUNING) VIEW	64
6.3.3.1	SCREEN COMPONENTS	64
6.3.3.2	TUNING VIEW OPERATIONS	65
6.3.3.3	TUNING PARAMETERS	66
6.3.3.4	AUTO-TUNING PARAMETERS	66
6.3.4	REALTIME I/O MONITORING VIEW	67
6.3.4.1	SCREEN COMPONENTS	67
6.3.4.2	REALTIME I/O MONITORING VIEW OPERATIONS	70
6.3.5	USER'S PARAMETER TABLE VIEW	71
6.3.5.1	SCREEN COMPONENTS	71
6.3.5.2	USER'S PARAMETER TABLE VIEW OPERATIONS	72
6.3.5.3	PARAMETER SETTING VIEW OPERATIONS	73
6.3.5.4	SETTING ITEMS	74
6.3.5.5	SETTING EXAMPLES	75
6.3.6	BACKUP VIEW PSC110/210	76
6.3.6.1	SCREEN COMPONENTS	76
6.3.6.2	BACKUP VIEW OPERATIONS	77

7. FUNCTION BLOCK SETTING.....	78
7.1 GENERAL DESCRIPTION.....	78
7.2 FIELD INPUT SETTING.....	79
7.2.1 PROCESS & ANALOG INPUT SETTING.....	79
7.2.2 DISCRETE & PULSE INPUT SETTING.....	79
7.3 FUNCTION BLOCKS IN RELATION WITH SCREEN CONFIGURATION.....	80
7.4 RELATIONS BETWEEN FUNCTION BLOCKS.....	81
7.5 FUNCTION BLOCK ALLOCATIONS.....	82
7.6 CONNECTING BETWEEN FUNCTION BLOCKS.....	83
7.6.1 EXAMPLE OF CONNECTION TERMINALS REPRESENTATION IN A FUNCTION BLOCK.....	83
7.6.2 CONNECTING ANALOG SIGNALS.....	83
7.6.3 CONNECTING DISCRETE SIGNALS.....	83
7.6.4 PARAMETER SETTER.....	83
7.6.5 ITEM READER.....	84
7.7 SOFTWARE COMMUNICATION BY COMMUNICATION TERMINALS PSC200/210	85
8. COMMUNICATING WITH THE SFEW3E PROGRAM.....	86
8.1 GENERAL DESCRIPTION.....	86
8.2 CONNECTING THE CONTROLLER TO PC.....	86
8.2.1 INFRARED COMMUNICATION TYPE.....	86
8.2.2 STEREO JACK TYPE.....	86
9. AUTO-TUNING.....	87
9.1 GENERAL DESCRIPTIONS.....	87
9.2 AUTO-TUNING OPERATIONS.....	88
9.3 OPTIMIZATION & CONTROL ACTION.....	88
9.4 MANUAL ADJUSTMENT OF PID PARAMETERS FOR FINE TUNING.....	89
10. COMMUNICATING WITH THE SCCFG PROGRAM.....	90
10.1 GENERAL DESCRIPTION.....	90
10.2 CONNECTING THE CONTROLLER TO PC.....	90
10.2.1 INFRARED COMMUNICATION TYPE.....	90
10.2.2 STEREO JACK TYPE.....	91
10.3 SAVING SHORT TREND DATA PSC200/210	91
10.4 TRANSFERRING SETTING PARAMETERS.....	91

11. BACKUP (MANUAL LOADING)	PSC110/210	92
11.1	HARDWARE CONSTRUCTION	92
11.2	BACKUP SETTING	93
11.2.1	AUTO / MANUAL SWITCHING	93
11.2.2	BACKUP OUTPUT MODE (TRACK BACK / PRESET VALUE)	93
11.2.3	BACKUP RECOVERY MODE (AUTO/MANUAL TRACKING)	94
11.2.4	AUTO BACKUP AFTER TURNING ON THE POWER	1.50 95
11.2.5	FUNCTION BLOCK SETTING	96
11.3	BACKUP OPERATION & DISPLAY	97
11.3.1	STATUS TRANSITION DIAGRAM	97
11.3.2	SWITCHING OPERATION	98
11.3.3	RETURNING TO NORMAL STATUS	100
11.3.4	LED TEST	100
11.4	HOW TO REPLACE THE CONTROL MODULE	101
Appx 1.	COLD START PARAMETERS	103
Appx 2.	FUNCTION BLOCK PARAMETERS DEFAULT SETTING	105
Appx 3.	ERROR CODES	109
Appx 4.	MODBUS FUNCTIONS	PSC200/210 111
Appx 4.1.	SUPPORTED FUNCTIONS	111
Appx 4.2.	ADDRESS REGISTERS ASSIGNMENTS	111
Appx 4.3.	EXCEPTION CODES	115
Appx 5.	DIGITAL DISPLAY ERROR MESSAGES	116
Appx 6.	REVISION HISTORY	117

1. BEFORE USE

Thank you for choosing M-System. Before use, check the package contents you received as below.

If you have any problems or questions with the product, please contact M-System's Sales Office or representatives.

This product is for use in general industrial environments, therefore may not be suitable for applications which require higher level of safety (e.g. safety or accident prevention systems) or of reliability (e.g. vehicle control or combustion control systems).

For safety, installation and maintenance of this product must be conducted by qualified personnel.

PACKAGE INCLUDES:

- Multi-function PID controller..... (1)
- Resistor module..... (2)
- Cold junction temperature sensor..... (2)
- Mounting bracket (2)
- Mou\Connector adapter (with stereo jack type) (1)

MODEL NO.

Confirm that the model number described on the product is exactly what you ordered.

USERS MANUAL

This manual describes detailed operations and necessary points of caution when you use this product, including installation, connection and basic maintenance procedures.

The PSC100/200 Series products are referred to as 'the Controller' in this manual if not explained otherwise. The 'PSC' means any model of the PSC100/200 Series products. Descriptions applicable to specific models are either mentioned with the particular model numbers, or identified with symbols such as: **PSC110/210** **PSC200/210**

The following document will also provide helpful information when using this product:

- PSC100/200 Series Function Block List (EMB-6460-B)

POINTS OF CAUTION

Conformity with EC directives

- This equipment is suitable for use in a Pollution Degree 2 environment, and in Measurement Category II (contact output). Basic insulation (300V) is maintained between contact output and power input. Prior to installation, check that the insulation class of this unit satisfies the system requirements.
- Altitude up to 2000 meters
- FE (Functional Earth) shall not share with PE (Protective Earth) of other equipment. Ground the FE terminal solely for signals.
- The equipment must be installed such that appropriate clearance and creepage distances are maintained to conform to CE requirements. Failure to observe these requirements may invalidate the CE conformance.
- In order to enable the operator to turn off the power input immediately, install a switch or a circuit breaker according to the relevant requirements in IEC 60947-1 and IEC 60947-3 and properly indicate it.

Power input

- Locate the power input rating marked on the product and confirm its operational range.
- Supplying any level of power other than specified can damage the unit or the power source.
- Power supply start-up characteristics must reach within 5 seconds to the operational voltage range of the unit.
- Power cables and signal I/O cables for the unit must be located separately.
- Power cables and signal I/O cables for the unit should not be bundled together.
- To increase noise resistance of the power input wires, twist the strands before connecting.

General Precautions

- Before you remove the unit, turn off the power supply and input signal for safety.
- Do not disassemble or modify the unit in any way. Doing so may result in a fire or an electrical shock.
- Do not block the unit's ventilation openings or use it in areas where heat accumulates. Additionally, do not store or use it under high-temperature conditions.

- Do not use this unit in an environment where flammable/corrosive gases are present.
- Do not store or use this unit in locations subject to direct sunlight, or where excessive dust, dirt or metal particles are present.
- This unit is a precision instrument. Do not store or use it where large shocks or excessive vibration can occur.
- Do not store or use this unit in environments subject to chemical evaporation (such as that of organic solvents), or where there are chemicals and/or acids present in the environment.
- Do not use paint thinner or organic solvents to clean this unit.
- Observe the environmental conditions when using this unit.
- Wait at least 30 seconds before turning on the power supply after it was tuned off.

Environment

- Indoor use
- This unit is designed to be mounted on a vertical panel. It is not suitable for a slanted or a horizontal panel surface.
- Environmental temperature must be within -5 to +55°C (23 to 131°F) with relative humidity within 5 to 90% RH in order to ensure adequate life span and operation.

Grounding

- Be sure to determine in advance the most stable grounding point in the environment and earth the unit's FG terminal and that of connected devices to it in order to protect the devices from dielectric breakdown.
- Grounding is also effective to eliminate noise that could cause errors in the unit's operation.

LCD panel

- The LCD panel's liquid contains an irritant. If the panel is damaged and the liquid contacts your skin, rinse immediately the contact area with running water for at least 15 minutes. If the liquid gets in your eyes, rinse immediately your eyes with running water for at least 15 minutes and consult a doctor.
- The following phenomena are LCD characteristics, and NOT a product defect:
 - LCD screen may show uneven brightness depending upon displayed images or contrast settings.
 - The LCD screen pixels may contain minute black-and-white-colored spots.
 - The color displayed on the LCD screen may appear different when seen from outside the specified viewing angle.
 - When the same image is displayed on the screen for a long time period, an afterimage may appear when the image is changed. If this happens, turn off the unit and wait for a while before restarting it.
- To prevent an afterimage:
 - Set the screensaver when you plan to display the same image for a long time period.
 - Plan to change the screen image periodically so that the same image does not remain for the long time period.
- The LCD surface is covered with a protective film at the factory shipment. Remove it once the unit is installed.

Minimizing noise interference to analog signal cables

- Noise entering through the analog signal cables may cause irregular measurement values, degradation of overall accuracy, and malfunction of the product. We recommend that you would conduct wiring to the unit with the following points of caution.
- Do not install cables (power supply, input and output) close to noise sources (high frequency line, etc.).
- Do not bind the analog I/O cables together with those in which noises are present. Do not install them in the same duct.

DO NOT apply overrange input

- Do not apply voltages exceeding ± 15 V across the voltage input terminals to prevent damage.
- Do not apply currents exceeding ± 30 mA to the current input terminals to prevent damage.

And

- We recommend use of an UPS to supply power backups.
- The unit is designed to function as soon as power is supplied, however, a warm up for 10 minutes is required for satisfying complete performance described in the data sheet.

■ APPLICABLE FIRMWARE VERSION

This Users Manual conforms to SC_LCD firmware version 1.50 or later. In this manual descriptions given with the following symbols are applied only to the firmware versions.

SYMBOL	APPLICABLE FIRMWARE VERSION
1.50	SC_LCD firmware version 1.50 or later

2. FUNCTION DESCRIPTIONS

The SC100/200 Series is a multi-function controller equipped with a color LCD display with touch panel. It is designed to suit with a wide variety of applications using two PID function blocks together with numerous computational functions.

FUNCTIONS & FEATURES

- Color LCD with touch panel
- Four Operation views (digital display, bargraph, dual-loop bargraph and short trend views)
- Enhanced screen functions for engineering (configuration, programming, tuning, realtime I/O monitoring, user's parameter table views, plus backup view for SC110/210)
- Universal input x 2 points, analog input x 4 points, discrete input x 6 points, pulse input x 5 points, high speed pulse input x 1 point
- Current output (4-20 mA) x 2 points, voltage output (1-5 V) x 2 points, relay or photo-MOSFET relay output x 5 points
- RUN output (relay) x 1 point
- I/O signals can be added with remote I/O modules connected via NestBus peer-to-peer communication*¹
- Computation cycle selectable between 50 msec. and 3 sec. (control cycle selectable between 1 and 64 times of the computation cycle)
- Two PID function blocks
- Advanced computation and sequence control functions
- Auto-tuning function
- Parameter input and changing with touch panel
- Function parameter setting, list printing and data downloading/uploading available with Loop Configuration Builder Software (model: SFEW3E)
- Short trend export (CSV)*¹, display parameter setting, saving and transfer with PC Configurator Software (model: SCCFG)
- Control and supervision by SCADA software via Modbus/TCP or RTU communication *¹
- Backup module incorporated for manual loading: MV output is automatically switched to manual control in case of control module abnormality *²
- Independent power supply usable for the manual loader *²
- Control module can be extracted at the front for replacement while MV output is maintained *²
- Selectable housing depth for ease of using existing wires in replacement

*1. SC200/210

*2. SC110/210

TYPICAL APPLICATIONS

- Replacement of conventional controllers
- Panel operation for small-scale instrumentation

3. SPECIFICATIONS

3.1 MODEL NUMBERING

Code number: SC [0] – [1] [2] – [3] [4]

[0] **MODEL**

- 100 : Basic model
- 110 : Basic model with MV output backup
- 200 : Modbus extension model
- 210 : Modbus extension model with MV output backup

[1] **DISCRETE OUTPUT**

- 1 : Relay contact
- 2 : Photo MOSFET relay

[2] **MODBUS**

- 0 : None (SC100/110)
- 1 : Modbus-RTU (SC200/210)
- 2 : Modbus/TCP (SC200/210)

[3] **POWER INPUT**

- M2 : 100 – 240 V AC
- R : 24 V DC

[4] **OPTIONS**

Housing Depth

model code	SC100	SC110	SC200	SC210
blank	250 mm	---	250 mm	---
/300	300 mm	300 mm	300 mm	300 mm
/400	400 mm	400 mm	400 mm	400 mm
/600	600 mm	600 mm	---	---

Backup Module Power Supply **SC110/210**

- blank : Single supply
- /M2 : 100 – 240 V AC (dual supply)
- /R : 24 V DC (dual supply)

Control/Backup modules are powered from common terminals with 'single' supply type; powered from independent terminals with 'dual' supply type.

Language

- blank : Japanese
- /E : English

Language (Japanese or English) can be chosen by front panel setting.

Configurator interface

- blank: Infrared
- /1: Stereo jack

3.2 RELATED PRODUCTS

The following products are required for the setting up of the device via PC (not included in the package.)

- PC Configurator Software (model: SCCFG Ver. 1.50 or later) Downloadable at M-System's web site.
- Loop Configuration Builder Software (model: SFEW3E Ver. 1.40 or later). Downloadable at M-System's web site.
- Infrared Communication Adaptor (model: COP-IRDA)
- PC Configurator Cable (model: COP-US)

3.3 GENERAL SPECIFICATIONS

Construction		Panel flush mounting
Degree of protection		IP55; applicable to the front panel for single unit mounted according to the specified panel cutout
Connection		M3.5 screw terminals (torque 1.0 N·m)
Screw terminal		Nickel-plated steel
Backup module power supply terminal (option /M2, /R) SC110/210		Euro terminal block (wire dia. 2.4 max., 0.5 – 2.5 mm ²)
Housing material		Flame-resistant resin (gray), steel
Isolation	SC100/110	Pv1 to Pv2 to supply output to Ai1 or Ai2 or Ai3 or Ai4 to Di1 or Di2 or Di3 or Di4 or Di5 or Pi1 or Pi2 or Pi3 or Pi4 or Pi5 to Di6 or Pi6 to Mv1 to Mv2 (or Mv2B)* ¹ to Ao1 or Ao2 to Do1 to Do2 to Do3 to Do4 to Do5 to Do6 to power (to backup module power)* ¹ to FG <small>*1. SC110</small>
	SC200/210	Pv1 to Pv2 to supply output to Ai1 or Ai2 or Ai3 or Ai4 to Di1 or Di2 or Di3 or Di4 or Di5 or Pi1 or Pi2 or Pi3 or Pi4 or Pi5 to Di6 or Pi6 to Mv1 to Mv2 (or Mv2B)* ¹ to Ao1 or Ao2 to Do1 to Do2 to Do3 to Do4 to Do5 to Do6 to NestBus to Modbus-RTU to Modbus/TCP to power (to backup module power)* ² to FG <small>*2. SC210</small>
PID control		Single loop, cascade, advanced
Proportional band (P)		1 to 1000 %
Integral time (I)		0.01 to 100 minutes
Derivative time (D)		0.01 to 10 minutes
Auto-tuning		Limit cycle method
Alarm		PV high & low, deviation, rate of change
Computation		48 functions blocks available for arithmetic operations, time functions, signal selection, limit alarm and other functions
Sequence operation		Logic sequence and step sequence (max. 1068 commands)
Computation cycle		50 msec. to 3 sec. (control cycle selectable among 1, 2, 4, 8, 16, 32 and 64 times of the computation cycle)
MV output range		-15 to +115 %
Parameter setting		With touch panel or PC (Loop Configuration Builder Software model: SFEW3E)
Self diagnostics		CPU monitoring with a watchdog timer
RUN contact		OFF in error detected by diagnostic (including NestBus for SC200/210)
Infrared communication		Transmission distance max. 0.2 meter (for use with the COP-IRDA)
Short trend SC200/210		Storing interval: 1, 2, 5, 10, 20, 30 sec., 1, 2, 5, 10, 30, 60 min. Capacity: 400 points (display 200 points)

3.4 DISPLAY

Display device	4.3-inch TFT LCD
Display colors	256
Resolution	480 × 272 pixels
Pixel pitch	0.198 × 0.18 mm (128 × 141 DPI)
Backlight	LED Note: The backlight can be replaced in M-System factory. The LCD must be replaced at the same time.
Screen saver standby time	1 to 99 minutes
Scaling range	-32000 to +32000
Decimal point position	10 ⁻¹ , 10 ⁻² , 10 ⁻³ , 10 ⁻⁴ , 10 ⁻⁵ or none
Scale divisions	2 to 10
Engineering unit indication	Max. 8 characters
AUTO/MAN indicator	Green/Amber LED
Backup mode MV output setting indicator SC110/210	Blue LED
MV output setting indicator SC110/210	Blue LED

3.5 EXTERNAL INTERFACE **SC200/210**

■ NestBus

Configuration	Bus type multi-drop
Standard	Conforms to EIA RS-485
Transfer rate	19.2 kbps
Protocol	NestBus (M-System's own protocol)
Max. transmission distance	1 kilometer
Transmission media	Shielded twisted-pair cable (CPEV-S φ0.9)
Terminating resistor	Incorporated
Module number	0 – F x 16 modules setting available

■ Modbus-RTU

Configuration	Half-duplex, asynchronous, no procedure
Standard	Conforms to EIA RS-485
Max. transmission distance	500 meters
Transfer rate	4800, 9600, 19.2 k, 38.4 k bps
Data bit	8
Parity bit	Odd, even, none
Max. node number	15 (except the master)
Node address	1 – 247
Transmission media	Shielded twisted-pair cable (CPEV-S φ0.9)
Terminating resistor	Incorporated

■ Modbus/TCP (Ethernet)

Physical layer standard	IEEE 802.3u
Data link layer	10BASE-T / 100BASE-TX
Transfer rate	10 / 100 Mbps, Auto Negotiation
Protocol	Modbus/TCP
Data	RTU (binary)
Connections	2
Transmission media	10BASE-T (STP cable, category 5) 100BASE-TX (STP cable, category 5e)
Max. segment length	100 meters
Port No.	502
IP address	192.168.0.1 (factory default)

3.6 SUPPLY OUTPUT

Output voltage	24 V DC ±10 % (with no load) 18 V DC min. at 20 mA
Current rating	≤ 22 mA DC
Shortcircuit protection	Current limited to approx. 30 mA

3.7 INPUT SPECIFICATIONS

■ Pv1, Pv2

DC CURRENT			
Current input	4 – 20 mA DC with input resistance 250 Ω (REM4)		
DC VOLTAGE			
Voltage input	-10 – +10 V DC -1 – +1 V DC 0 – 10 V DC 1 – 5 V DC 0 – 1 V DC		
Input resistance	≥ 1 MΩ		
THERMOCOUPLE			
Thermocouple input	K, E, J, T, B, R, S, C, N, U, L, P, PR		
Input resistance	≥ 30 kΩ		
Burnout sensing	≤ 0.3 μA		
Burnout indication	115 % of the measuring range (upscale)		
Temperature range	T/C	USABLE RANGE (°C)	CONFORMANCE RANGE (°C)
	K (CA)	-272 to +1472	-150 to +1370
	E (CRC)	-272 to +1100	-170 to +1000
	J (IC)	-260 to +1300	-180 to +1200
	T (CC)	-272 to +500	-170 to +400
	B (RH)	24 to 1920	400 to 1760
	R	-100 to +1860	200 to 1760
	S	-100 to +1860	0 to 1760
	C (WRe 5-26)	-52 to +2416	0 to 2315
	N	-272 to +1400	-130 to +1300
	U	-252 to +700	-200 to +600
	L	-252 to +1000	-200 to +900
	P (Platinel II)	-52 to +1496	0 to 1395
	(PR)	-52 to +1860	0 to 1760
Overrange input (out of the usable range) is handled as burnout.			
RTD			
RTD input	Pt100 (JIS '97, IEC), Pt100 (JIS '89), JPt100 (JIS '89), Pt50Ω (JIS '81), Ni100		
Input resistance	≥ 1 MΩ		
Max. lead wire resistance	100 Ω per wire		
Burnout indication	115 % of the measuring range (upscale)		
Sensing current	≤ 1 mA		
Temperature range	RTD	USABLE RANGE (°C)	CONFORMANCE RANGE (°C)
	Pt 100 (JIS '97, IEC)	-240 to +900	-200 to +850
	Pt 100 (JIS '89)	-240 to +900	-200 to +660
	JPt 100 (JIS '89)	-236 to +560	-200 to +510
	Pt 50Ω (JIS '81)	-236 to +700	-200 to +649
	Ni 100	-100 to +252	-80 to +250
Overrange input (out of the usable range) is handled as burnout.			
POTENTIOMETER			
Potentiometer input	Total resistance 100 Ω to 10 kΩ		
Minimum span	50 % of total resistance		
Excitation	≤ 0.6 V DC		

■ Ai1, Ai2, Ai3, Ai4

Voltage input	1 – 5 V DC
Input resistance	≥ 1 MΩ

■ **Di1, Di2, Di3, Di4, Di5 (Pi1 through Pi5 are assigned to same terminals respectively)**

Discrete input	Dry contact
Input resistance	Approx. 2 k Ω
Common	Negative common per 5 points
Sensing	Approx. 12 V DC
ON voltage/resistance	≤ 2.25 V, ≤ 1.5 k Ω
OFF voltage/resistance	≥ 11.25 V, ≥ 15 k Ω

■ **Pi1, Pi2, Pi3, Pi4, Pi5 (Di1 through Di5 are assigned to same terminals respectively)**

Pulse input	Dry contact
Maximum frequency	20 Hz
Minimum pulse width	25 msec.
Input resistance	Approx. 2 k Ω
Common	Negative common per 5 points
Sensing	Approx. 12 V DC
ON voltage/resistance	≤ 2.25 V, ≤ 1.5 k Ω
OFF voltage/resistance	≥ 11.25 V, ≥ 15 k Ω

■ **Di6 (Pi6 is assigned to the same terminals)**

Discrete input	Dry contact
Input resistance	Approx. 1 k Ω
Common	Negative common
Sensing	Approx. 12 V DC
ON voltage/resistance	≤ 2 V, ≤ 1.5 k Ω
OFF voltage/resistance	≥ 11 V, ≥ 15 k Ω

■ **Pi6 (Di6 is assigned to the same terminals)**

Pulse input	Dry contact
Maximum frequency	10 kHz
Minimum pulse width	0.05 msec.
Input resistance	Approx. 1 k Ω
Common	Negative common
Sensing	Approx. 12 V DC
ON voltage/resistance	≤ 2 V, ≤ 1.5 k Ω
OFF voltage/resistance	≥ 11 V, ≥ 15 k Ω
Excitation	12 V DC ± 10 %, 15 mA
Current limiting circuit	Approx. 30 mA

3.8 OUTPUT SPECIFICATIONS

■ Mv1, Mv2

Current output	4 – 20 mA DC
Load resistance	≤ 600 Ω

■ Ao1, Ao2

Voltage output	1 – 5 V DC
Load resistance	≥ 10 kΩ

■ Do1, Do2, Do3, Do4, Do5, RUN CONTACT

RELAY OUTPUT	
Relay contact	Do1, Do2, Do3, Do4, Do5, RUN contact (Do6)
Relay rating	250 V AC @ 1 A (cos φ = 1) 30 V DC @ 1 A (resistive load)
Maximum switching voltage	250 V AC or 30 V DC
Maximum switching power	250 VA or 60 W
Minimum load	5 V DC at 10 mA
Mechanical life	2 × 10 ⁷ cycles
PHOTO MOSFET RELAY	
Photo MOSFET relay	Do1, Do2, Do3, Do4, Do5
Rating	200 V AC/DC @ 0.5 A (resistive load)
ON resistance	2.1 Ω
Maximum frequency	4 Hz at 24 V, 10 mA
ON delay time	≤ 5.0 msec.
OFF delay time	≤ 3.0 msec.

3.9 INSTALLATION

Power input	AC power	Operational voltage range 85 – 264 V AC; 50/60 Hz Control module: Approx. 25 VA at 100 V AC Approx. 40 VA at 240 V AC Backup module (SC110/210): Approx. 10 VA at 100 V AC Approx. 15 VA at 240 V AC
	DC power	Operational voltage range 24 V DC ±10 % Ripple 10 %p-p max. Control module: Approx. 500 mA Backup module (SC110/210): Approx. 300 mA
Operational temperature range	-5 to +55°C (23 to 131°F)	
Operating humidity	5 to 90 %RH (non-condensing)	
Mounting	Panel flush mounting (high-density mounting available)	
Panel cutout	68 x 138 mm	
Panel thickness	2.3 to 20 mm (0.1 to 0.78")	
Weight	Approx. 1.8 kg (3.97 lbs) for 250 mm depth type Approx. 2.0 kg (4.41 lbs) for 300 mm depth type Approx. 2.5 kg (5.51 lbs) for 400 mm depth type Approx. 3.0 kg (6.61 lbs) for 600 mm depth type	

3.10 PERFORMANCE

(In percentage of max. span)

Accuracy	Voltage input	±0.1 % ± 1 digit
	Thermocouple input	±1°C ± 1 digit ±2°C ± 1 digit for B, R, S, C, PR
	RTD input	±1°C ± 1 digit
	Potentiometer input	±0.2 % ± 1 digit
	Voltage output	±0.1 %
	Precision resistor (REM4)	±0.1 %
Cold junction compensation	±2°C at 25 ±10°C ambient temperature ±4°C for S, R and PR	
Temperature coefficient	±0.015 %/°C (±0.008%/°F)	
Line voltage effect	±0.1 % over voltage range	
Calendar clock accuracy	Monthly deviation 3 minutes at 25°C ambient temperature	
RAM memory duration in power failure for hot start	10 minutes assured	
Insulation resistance	≥ 100 MΩ with 500 V DC	
Dielectric strength	SC100/110	Pv1 or supply output to Pv2 or Ai1 or Ai2 or Ai3 or Ai4 to Di1 or Di2 or Di3 or Di4 or Di5 or Pi1 or Pi2 or Pi3 or Pi4 or Pi5 to Di6 or Pi6 to Mv1 to Mv2 (or Mv2B)* ¹ or Ao1 or Ao2 to Do1 to Do2 or Do3 or Do4 or Do5 or Do6 to power (to backup module power)* ¹ to FG: 1500 V AC @1 minute Pv2 to Ai1 or Ai2 or Ai3 or Ai4: 500 V AC @1 minute Mv2 (or Mv2B)* ¹ to Ao1 or Ao2: 500 V AC @1 minute Do2 to Do3 to Do4 to Do5 to Do6: 500 V AC @1 minute Pv1 to supply output: 500 V AC @1 minute *1. SC110
	SC200/210	Pv1 or supply output to Pv2 or Ai1 or Ai2 or Ai3 or Ai4 to Di1 or Di2 or Di3 or Di4 or Di5 or Pi1 or Pi2 or Pi3 or Pi4 or Pi5 to Di6 or Pi6 to Mv1 to Mv2 (or Mv2B)* ² or Ao1 or Ao2 to Do1 to Do2 or Do3 or Do4 or Do5 or Do6 to Nest-Bus to Modbus-RTU to power (to backup module power)* ¹ to FG: 1500 V AC @1 minute Modbus/TCP to FG: 500 V AC @1 minute Pv2 to Ai1 or Ai2 or Ai3 or Ai4: 500 V AC @1 minute Mv2 (or Mv2B)* ² to Ao1 or Ao2: 500 V AC @1 minute Do2 to Do3 to Do4 to Do5 to Do6: 500 V AC @1 minute Pv1 to supply output: 500 V AC @1 minute *2. SC210

3.11 STANDARDS & APPROVALS

AC power input are not applicable to CE conformity.

CE conformity:

EMC Directive (2004/108/EC)

EMI EN 61000-6-4: 2007

EMS EN 61000-6-2: 2005

Low Voltage Directive (2006/95/EC)

EN 61010-1: 2001

Measurement Category II (contact output)

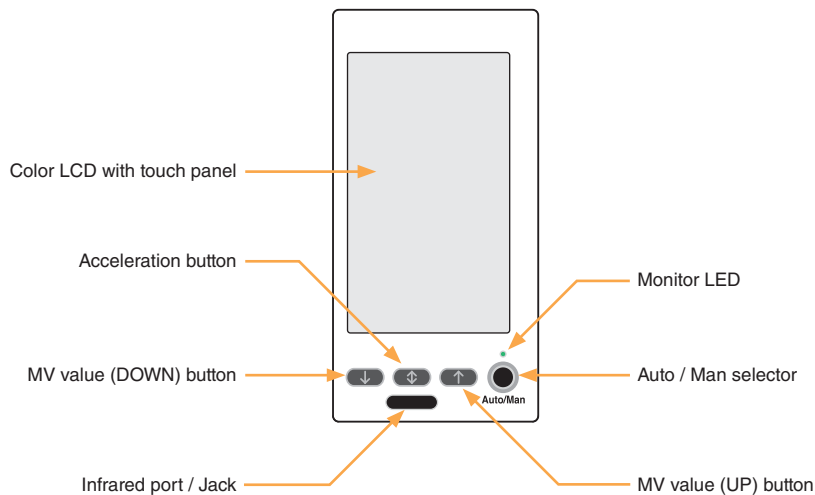
Pollution degree 2

Contact output to power – Basic insulation (300 V)

Protection against access to the terminal blocks: Finger protection (VDE 0660-514)

3.12 FRONT PANEL CONFIGURATION

3.12.1 SC100/200 FRONT PANEL CONFIGURATION



Color LCD with touch panel

TFT color display; various display modes available with the touch panel operability.

Infrared communication port / stereo jack

Used to communicate with PC to program and change parameters in Programming view using the Loop Configuration Builder Software (model: SFEW3E) or to program and change parameters in Configuration view using the PC Configurator Software (model: SCCFG).

MV value (DOWN) button

Decreases the MV in 40 sec. per full-scale when the control mode is set to manual. Decrements by digit in one-shot is also possible. The MV decreases in 4 seconds per full-scale when the acceleration button is pressed at once.

Acceleration button

Accelerates MV signal's changing speed by pressing simultaneously with MV value button.

MV value (UP) button

Increases the MV in 40 sec. per full-scale when the control mode is set to manual. Increments by digit in one-shot is also possible. The MV increases in 4 seconds per full-scale when the acceleration button is pressed at once.

AUTO / MAN selector

Changes the control mode from auto to manual and vice versa. Manual-to-auto switching can be suppressed with the field terminal setting. (Refer to SC100/200 Series Function Block List)

Monitor LED

Indicates control operation mode.

'Auto' mode: Green

'Man' mode: Orange

Manual loading or indication only mode (No PID): Amber

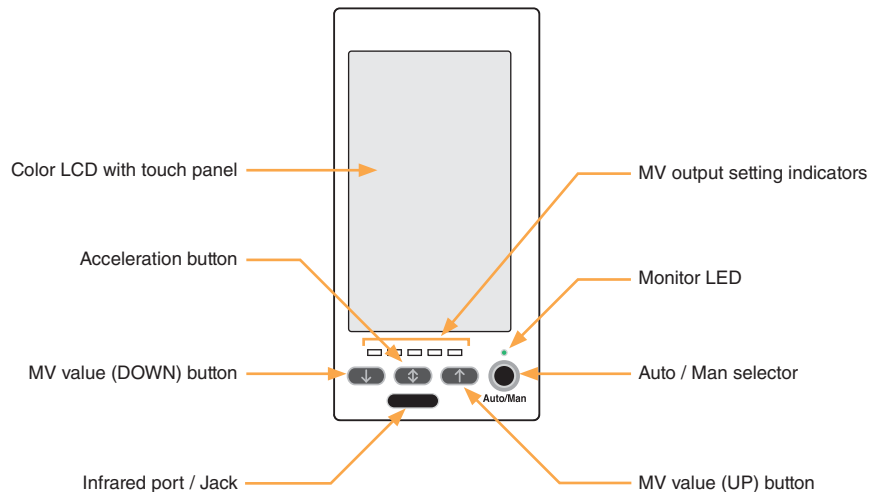
Communicating with the SFEW3E: Slow blinking

Communicating with the SCCFG: Fast blinking

When the screen shows Operation view, the lamp indicates the status of the loop specified in 'Loop display (MV/OP)' setting. (Refer to: 6.3.1.12 LOOP DISPLAY (MV/OP))

When it shows Engineering view, it indicates the status of the loop being displayed.

3.12.2 SC110/210 FRONT PANEL CONFIGURATION (MV output backup type)



Color LCD with touch panel

TFT color display; various display modes available with the touch panel operability.

Infrared communication port / stereo jack

Used to communicate with PC to program and change parameters in Programming view using the Loop Configuration Builder Software (model: SFEW3E) or to program and change parameters in Configuration view using the PC Configurator Software (model: SCCFG).

MV value (DOWN) button

Decreases the MV in 40 sec. per full-scale when the control mode is set to manual. Decrements by digit in one-shot is also possible. The MV decreases in 4 seconds per full-scale when the acceleration button is pressed at once.

Acceleration button

Accelerates MV signal's changing speed by pressing simultaneously with MV value button.

MV value (UP) button

Increases the MV in 40 sec. per full-scale when the control mode is set to manual. Increments by digit in one-shot is also possible. The MV increases in 4 seconds per full-scale when the acceleration button is pressed at once.

AUTO / MAN selector

Changes the control mode from auto to manual and vice versa. Manual-to-auto switching can be suppressed with the field terminal setting. (Refer to SC100/200 Series Function Block List)

Switches manual backup modes when the acceleration button is pressed at once. (Refer to: 11. BACKUP (MANUAL LOADING))

Monitor LED

Indicates control operation mode.

'Auto' mode: Green

'Man' mode: Orange

Manual loading or indication only mode (No PID): Amber

Communicating with the SFEW3E: Slow blinking

Communicating with the SCCFG: Fast blinking

When the screen shows Operation view, the lamp indicates the status of the loop specified in 'Loop display (MV/OP)' setting. (Refer to: 6.3.1.12 LOOP DISPLAY (MV/OP))

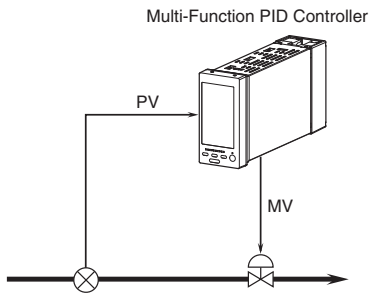
When it shows Engineering view, it indicates the status of the loop being displayed.

MV output setting indicators

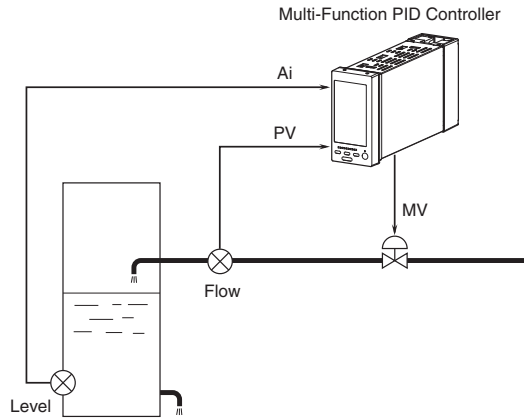
Approximate MV2 output status is indicated by the number of lights during the backup mode.

3.13 SYSTEM CONFIGURATION EXAMPLE

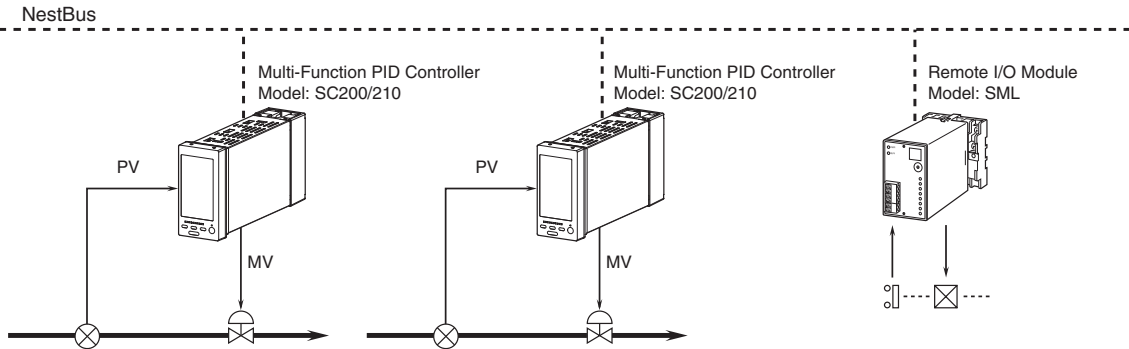
■ SINGLE LOOP CONTROL



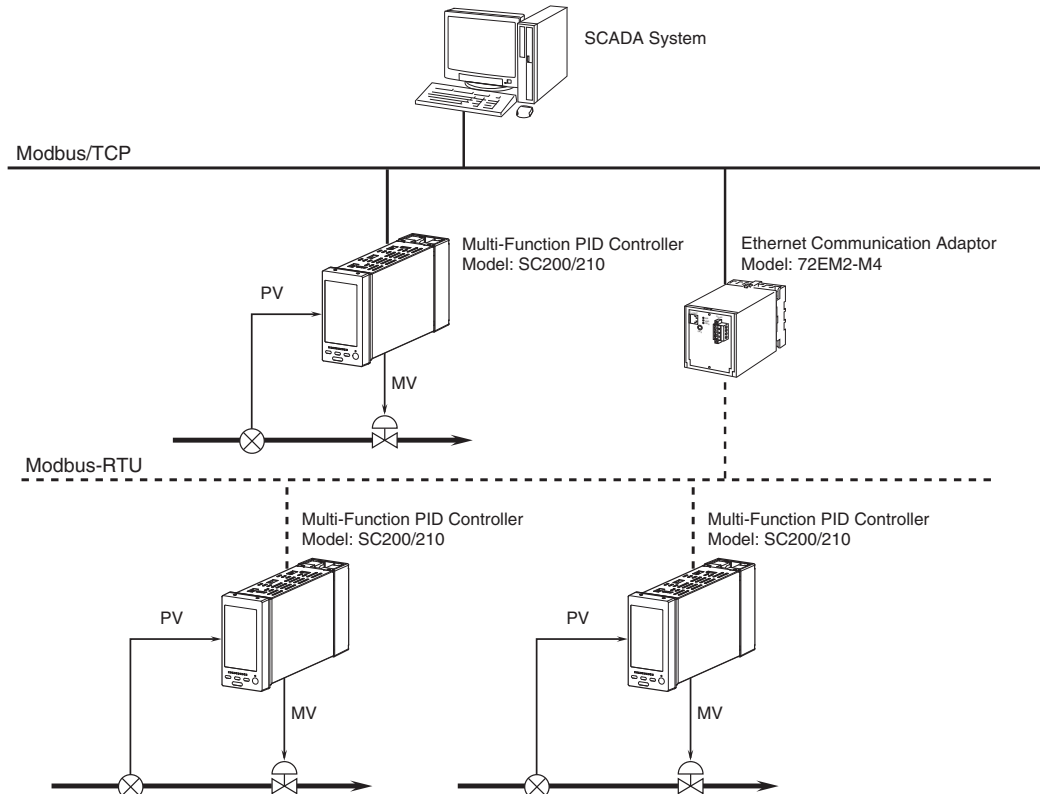
■ CASCADE CONTROL



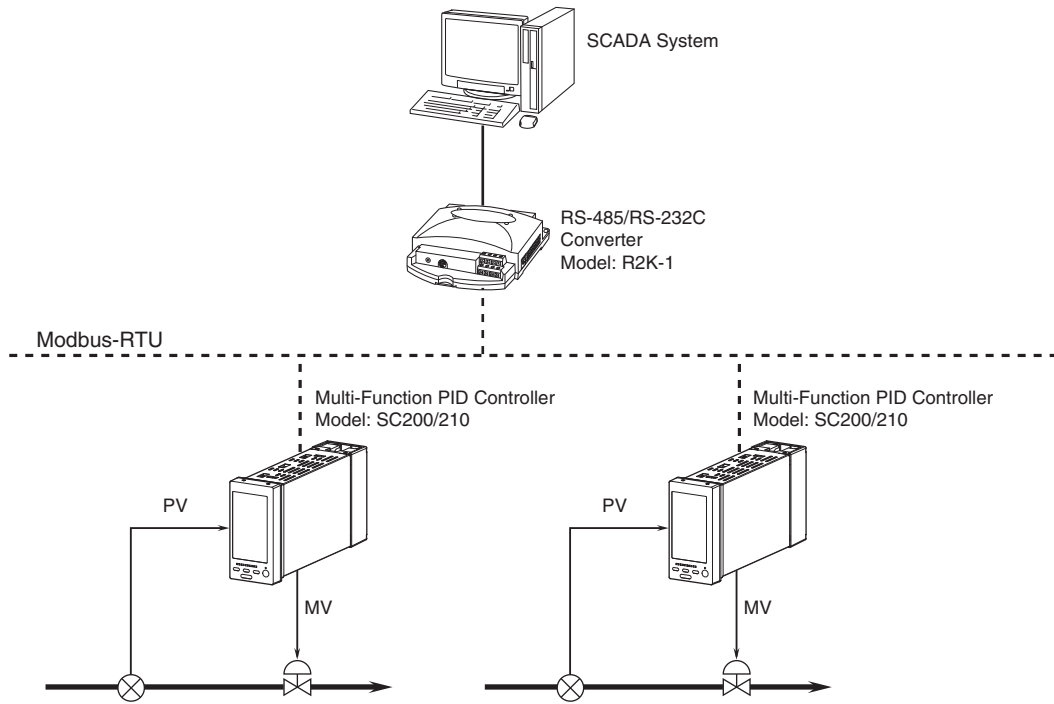
■ I/O EXPANDED VIA NESTBUS SC200/210



■ CONTROL / SUPERVISION VIA MODBUS/TCP SC200/210



■ CONTROL / SUPERVISION VIA MODUBS-RTU **SC200/210**



4. INSTALLATION

4.1 GENERAL PRECAUTIONS

- IP 55 is ensured for the front panel of the unit mounted independently to a panel. Test the sealing at the mounting surface once the unit is installed.
- Set the unit on a vertical surface with its operation buttons at the lower side. Mounting in other directions may cause heat built up inside the unit and shorten its life or degrade its performance.
- Be sure to firmly tighten mounting screws and terminal screws to prevent malfunctions.
- Be sure to lock ground connector of connection cables and check condition before turning on the power supply.
- Choose an independent grounding point with 10 Ω or less resistance for transmission cable shield. Do not share with power line ground.
- In an extremely dry area, large amounts of static electricity may be built in a person. Touch a grounded metallic object and discharge any static electricity before touching the unit.
- To clean the unit, use a soft cloth wet with water or mild detergent and rub its surface lightly. Do not use volatile liquid such as alcohol or thinner, as these may damage it.
- Keep out the unit from high temperature and humidity.

4.2 ENVIRONMENT

4.2.1 SURROUNDING ENVIRONMENT

Ambient temperature	-5 – + 55 °C (23 – 131°F)
Ambient humidity	5 – 90 % RH (non-condensing)
Ambient conditions	Not allowed with presence of corrosive/flammable gas or excessive dust.

4.2.2 INSTALLATION INSIDE A CONTROL CABINET

Consider about the ease of operation, maintenance and access, and the resistance to the environment when designing a control cabinet.

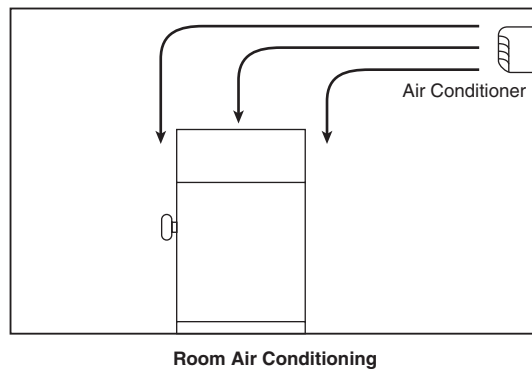
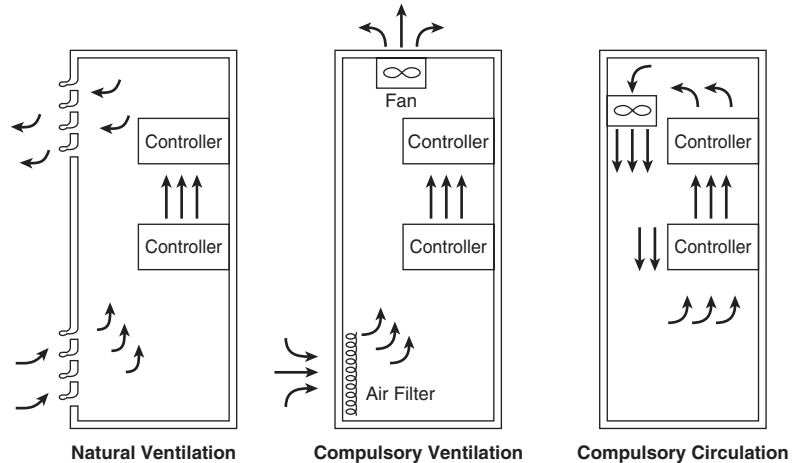
Temperature

- Provide enough space for ventilation.
- Do not install thermal generating equipment such as heaters, transformers, or large capacity resistance directly next to the Controller.
- If there is fear of environmental temperature higher than 55°C (131°F), consider usage of ventilation fans or air conditioners.

Consider also an alarm system to alert any failure of cooling devices by measuring ambient temperature, in order that such failure does not affect the system operation.

If on the contrary there is fear of low temperature below -5°C (23°F), preheating using small heaters or lamps installed inside the panel may be considered.

See the drawing to the right explaining typical installation configurations.



TYPICAL COOLING METHODS

Humidity

- Consider the humidity when employing air conditioners etc, as a rapid change of temperature might cause dewfall. Dewfall on the surface of printed wiring board might cause malfunction, shortcircuit or the breakdown of the equipment might be caused. When there is fear of dewfall, keep it always ON or treat preheating.

Vibration and Physical Shock

- Keep away from vibration sources or protect from physical impact. Stabilize the control cabinet with a rubber pad in order to absorb external vibrations or protect from an impact source.
- Rubber pad may be used to wrap around the impact source such as an electro-magnetic contactor installed in the panel.

Ambient atmosphere

- Isolate the control cabinet from ambient atmosphere containing dust, vapor, oil mist and/or toxic gas. Apply a sealing packing or pressurize it with clear air.

Protecting Input Signal from Noise

- Install input signal cables separately from power cables, e.g. in independent cable duct, both inside and outside the cabinet. If they must be close to each other, use shielded cables.
- Install DC input signal cables separately from AC circuits. If they must be close to each other, use shielded cables.

Protecting Output Signal from Noise

- Install output signal cables separately from power cables or other AC circuits. If they must be close to each other, use shielded cables.
- When driving an inductive load it is recommended to install surge absorbers at the closest point possible from the load.

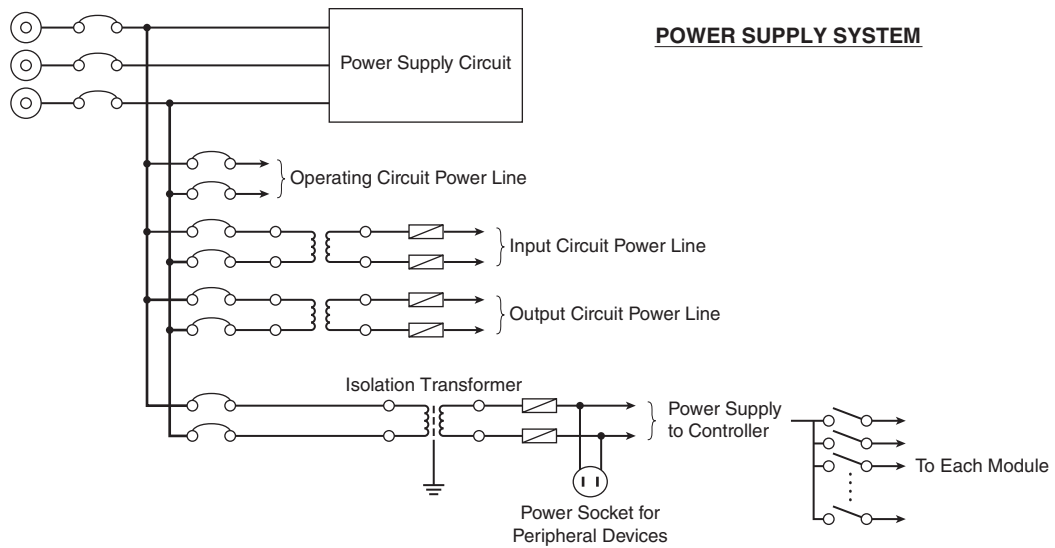
Wiring Inside the Panel

- Keep physical distance of farther than 20 cm between the Controller and power cables.
- Refer to Section 4.5 I/O SIGNAL SYSTEM for a detailed explanation of the wiring process.

4.3 POWER SYSTEM

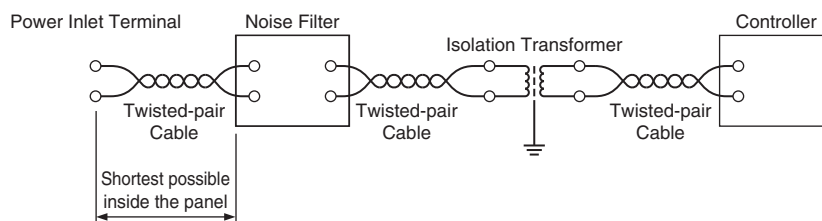
4.3.1 POWER SYSTEM WIRING

Power supply system consists of power line to the Controller, that for the motor drives and for operating circuit. Install each line separately. Provide a power socket at the end of the isolation transformer for peripheral devices connected with the Controller.



4.3.2 NOISE PRECAUTIONS

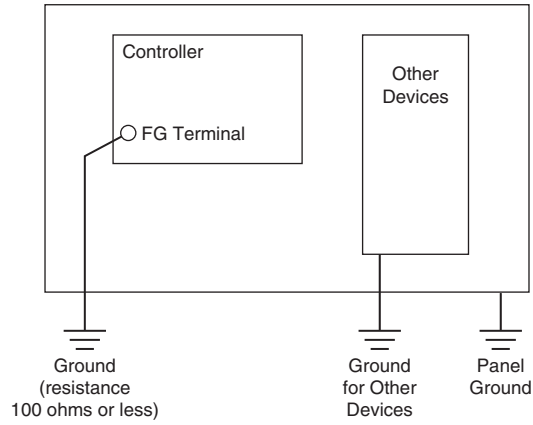
Generally a noise filter is attached to the power inlet to eliminate noise interferences to the power supply circuit. It is recommended to add an isolation transformer in case of AC power supply.



4.4 GROUNDING SYSTEM

Connect FG terminal of the Controller to an earthed panel plate inside the cabinet. If there is an interference by stray current, provide insulation between the Controller and the plate. In this case, connect the respective ground to separate points. Use wires of adequate thickness (2 mm² or larger) for grounding.

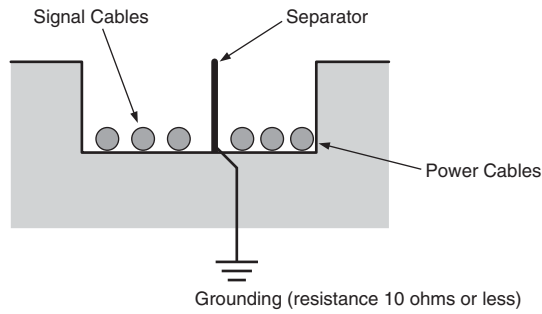
Install dedicated grounding lines for heavy duty current, low voltage power supply, operating circuit and light electrical circuit such as for the Controller.



4.5 I/O SIGNAL SYSTEM

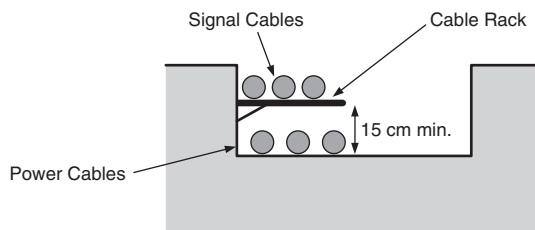
Separator Installation

Use a separator between signal cables and power supply cables installed in one pit or duct.



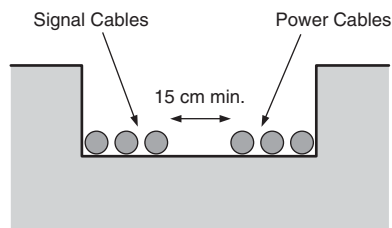
Cable Rack Installation

For using a cable rack, leave a space of 15 cm minimum from power supply cables as shown in the figure below. Separate signal cables by 60 cm or more if the current flowing to the power supply is 10 A or more.



Separation Space between Cables

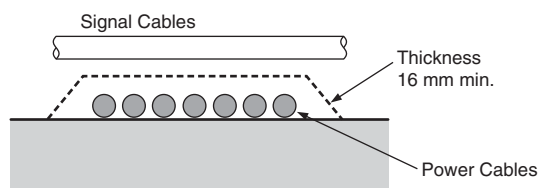
If a separator is not used, leave a space of 15 cm minimum from power supply cables as shown in the drawing below. Keep signal cables away by 60 cm or more if the current flowing to the power supply is 10 A or more.



Right-angled Cross Wiring

When the signal line is crossing over the power supply line, lay the cables at a right angle.

If the signal cables are not shielded, it is recommended to cover the power supply cables in the intersectional point with metal plate of 1.6 mm minimum thickness, as represented with dotted line in the drawing.



4.6 NESTBUS **SC200/210**

The SC200/210 uses NestBus (RS-485) for peer-to-peer communication between other controllers and I/O modules. Software terminal blocks of the NestBus devices are inter-connected to expand I/Os signals and share functions without needing a master device.

Up to 16 NestBus devices are connected with twisted-pair cables in multi-drop configuration (cross wiring). An entire section of cross-wired cables is called 'segment.'

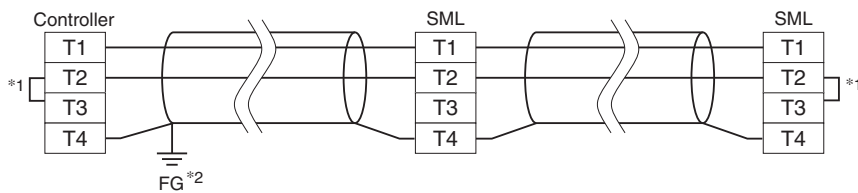
Each NestBus device is set with Card No. from 0 to F. For the SC200/210, set one in GROUP 00, ITEM 51. For remote I/O modules, use the hardware DIP switch (blue rotary switch on the front). Be sure to assign each module with unique number.

4.6.1 NESTBUS CONNECTION

Use independently shielded twisted pair cables (CPEV-S φ0.9) to connect between NestBus devices. DO NOT use bound cables, in order to eliminate unexpected interference from other signal lines.

An entire segment must be inside one building, with the maximum cable length of 1 kilometer.

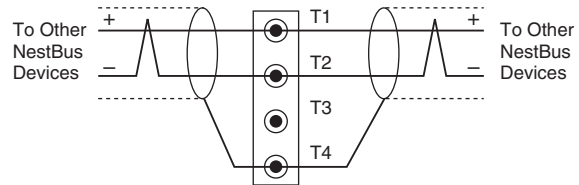
■ NestBus



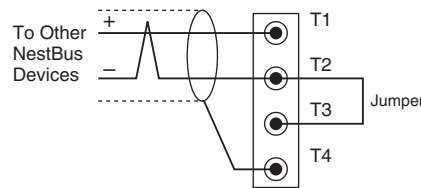
- *1. Internal terminating resistor is used when the device is at the end of a transmission line.
- *2. Install shield cables to all sections and ground them at single point.

Cross Wiring

- Cross wire between each device referring to the illustration to the right.
- Be sure to connect (+) to (+) and (-) to (-).
- Connect shield terminal as designated for each device. For devices with no shield terminal, connect between the shields of each device.
- Earth the shield at single, independent ground point within the system (grounding resistance 100 Ω or less). The most appropriate point depends upon systems. There are also cases when leaving the shield ungrounded gives a better result.



Cross Wiring



Termination Resistor

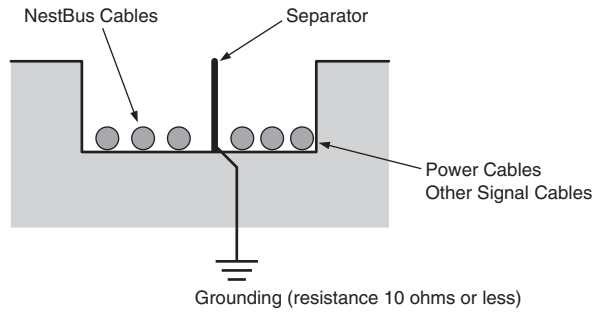
Terminating Resistor

- Connect a terminating resistor at both ends of the segment.
- Terminating resistor is incorporated in each device. Close across T2 and T3 terminals to activate it. Consult each device's specifications for exact terminal assignment of the resistor.

4.6.2 CABLE INSTALLATION

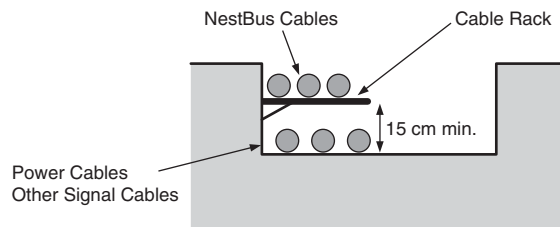
Separator Installation

Use a separator between NestBus cables and power supply/other signal cables installed in one pit or duct.



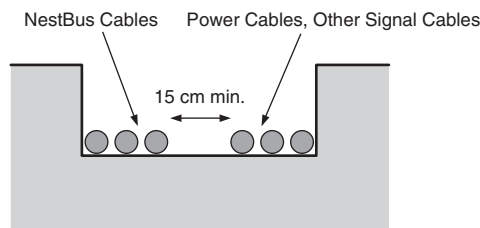
Cable Rack Installation

For using a cable rack, leave a space of 15 cm minimum from power supply/other signal cables as shown in the figure below. Separate NestBus cables by 60 cm or more if the current flowing to the power supply is 10 A or more.



Separation Space between Cables

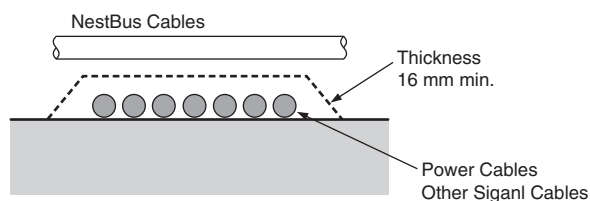
If a separator is not used, leave a space of 15 cm minimum from power supply/other signal cables as shown in the drawing below. Keep NestBus cables away by 60 cm or more if the current flowing to the power supply is 10 A or more.



Right-angled Cross Wiring

When the NestBus line is crossing over the power supply/other signal line, lay the cables at a right angle.

If the NestBus cables are not shielded, it is recommended to cover the power supply/other signal cables in the intersectional point with metal plate of 1.6 mm minimum thickness, as represented with dotted line in the drawing.



4.7 Modbus-RTU SC200/210

The Modbus protocol is provided by Modicon Inc. (AEG Schneider Automation International S.A.S.), originally developed for Modicon programmable controllers. Detailed information is described in Modicon Modbus Protocol Reference Guide (PIMBUS-300 Rev. J).

The Modbus master can monitor and control the SC200/210 using command (query) and response transactions.

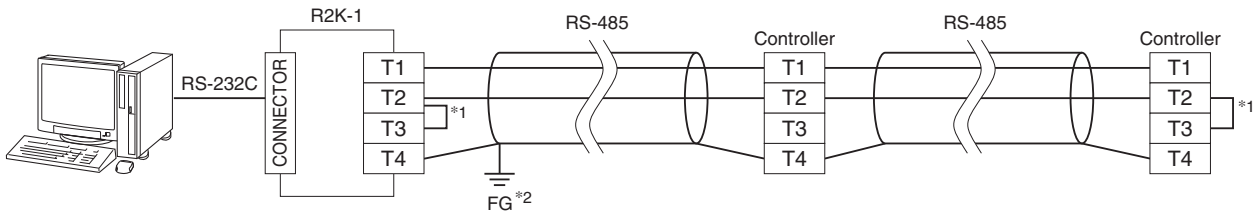
For more information about Modbus protocol, please refer to Modbus Protocol Reference Guide (EM-5650).

4.7.1 Modbus-RTU CONNECTION

Use independently shielded twisted pair cables (CPEV-S $\phi 0.9$) to connect between Modbus-RTU devices. DO NOT use bound cables, in order to eliminate unexpected interference from other signal lines.

An entire segment must be inside one building, with the maximum cable length of 500 m.

■ Modbus-RTU

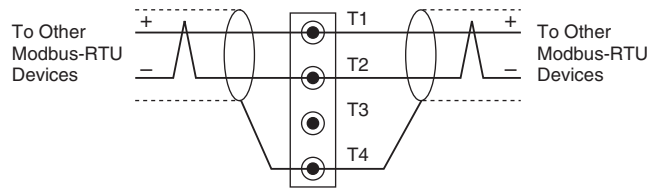


*1. Internal terminating resistor is used when the device is at the end of a transmission line.

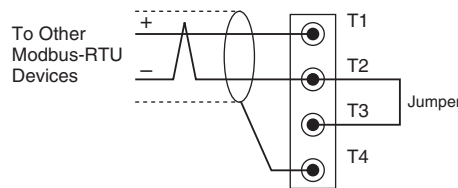
*2. Install shield cables to all sections and ground them at single point.

Cross Wiring

- Cross wire between each device referring to the illustration to the right.
- Be sure to connect (+) to (+) and (-) to (-).
- Connect shield terminal as designated for each device. For devices with no shield terminal, connect between the shields of each device.
- Earth the shield at single, independent ground point within the system (grounding resistance 100Ω or less). The most appropriate point depends upon systems. There are also cases when leaving the shield ungrounded gives a better result.



Cross Wiring



Termination Resistor

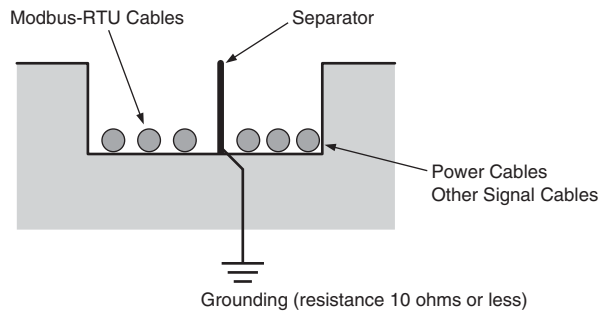
Terminating Resistor

- Connect a terminating resistor at both ends of the segment.
- Terminating resistor is incorporated in each device. Close across T2 and T3 terminals to activate it. Consult each device's specifications for exact terminal assignment of the resistor.

4.7.2 CABLE INSTALLATION

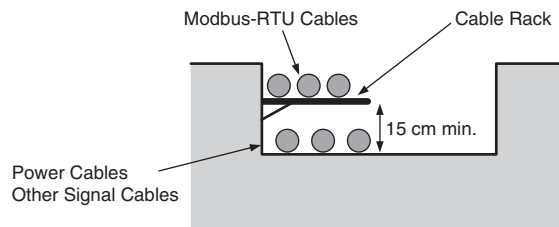
Separator Installation

Use a separator between Modbus-RTU cables and power supply/other signal cables installed in one pit or duct.



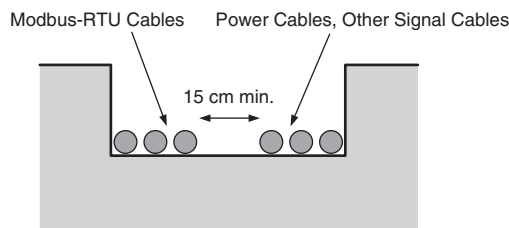
Cable Rack Installation

For using a cable rack, leave a space of 15 cm minimum from power supply/other signal cables as shown in the figure below. Separate Modbus-RTU cables by 60 cm or more if the current flowing to the power supply is 10 A or more.



Separation Space between Cables

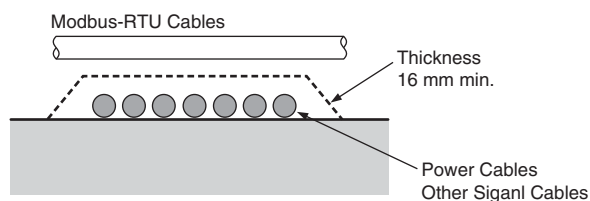
If a separator is not used, leave a space of 15 cm minimum from power supply/other signal cables as shown in the drawing below. Keep Modbus-RTU cables away by 60 cm or more if the current flowing to the power supply is 10 A or more.



Right-angled Cross Wiring

When the Modbus-RTU line is crossing over the power supply/other signal line, lay the cables at a right angle.

If the Modbus-RTU cables are not shielded, it is recommended to cover the power supply/other signal cables in the intersectional point with metal plate of 1.6 mm minimum thickness, as represented with dotted line in the drawing.



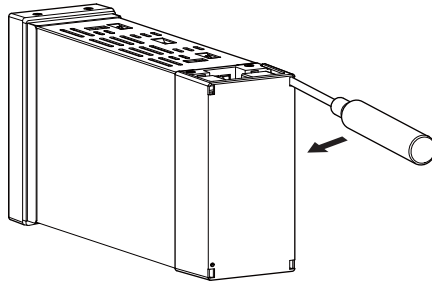
4.8 MOUNTING ON A PANEL

4.8.1 MOUNTING PROCEDURE

- 1) Remove both mounting brackets.
- 2) Detach the terminal cover and insert it first and then the unit itself into the cutout hole. (The cover is slightly wider than the unit.)
- 3) Put and slide the brackets back into the holes at the top and the bottom and tighten them until the unit is firmly fixed.

• How to Remove the Terminal Cover

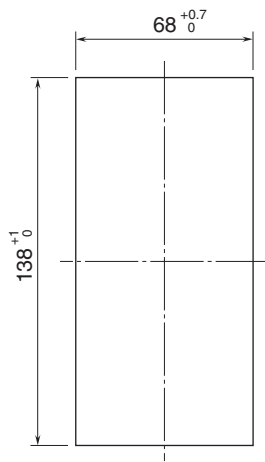
Insert the minus tip of a screwdriver into each hole at the four corners of the cover and pull it to the direction as indicated below to separate the terminal block cover.



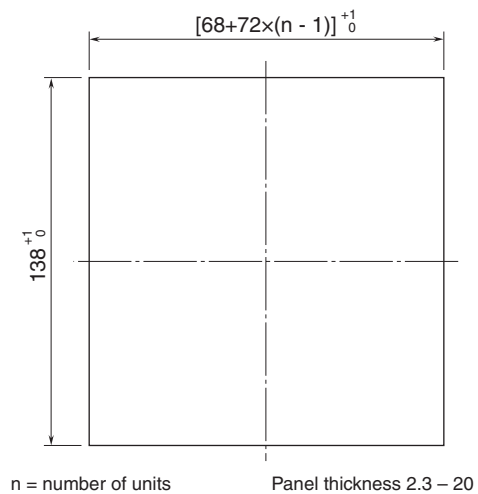
4.8.2 PANEL CUTOUT

unit: mm

• Single mounting



• Clustered mounting

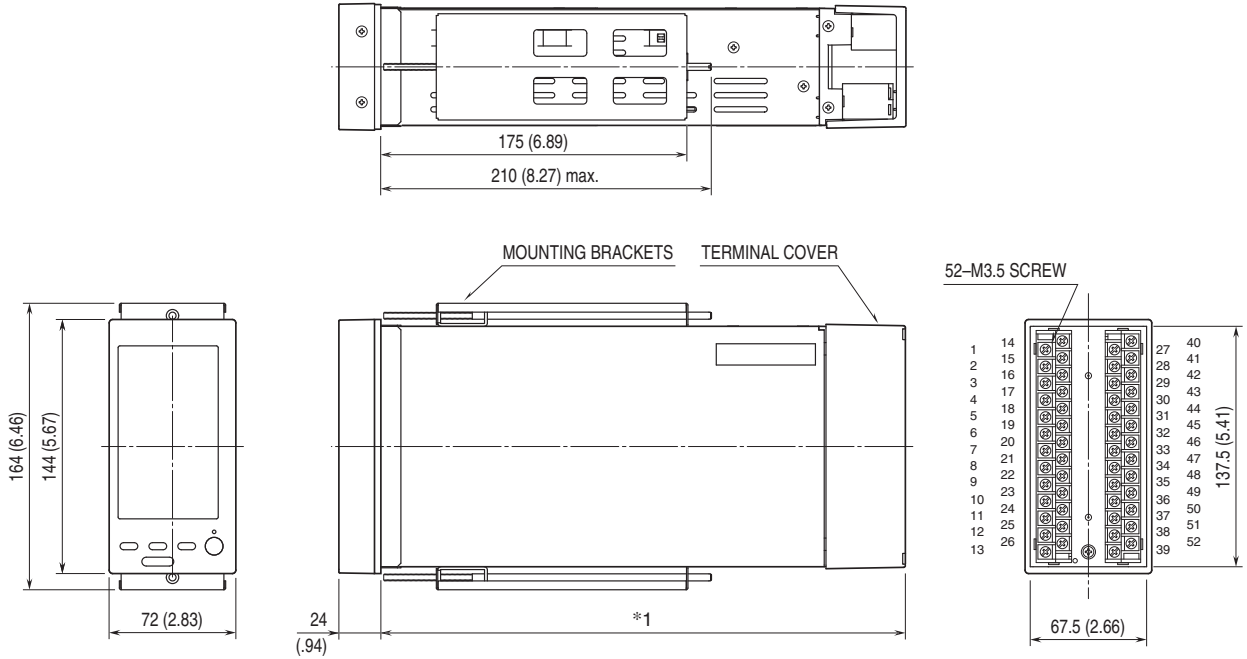


4.8.3 EXTERNAL DIMENSIONS & TERMINAL ASSIGNMENTS

unit: mm (inch)

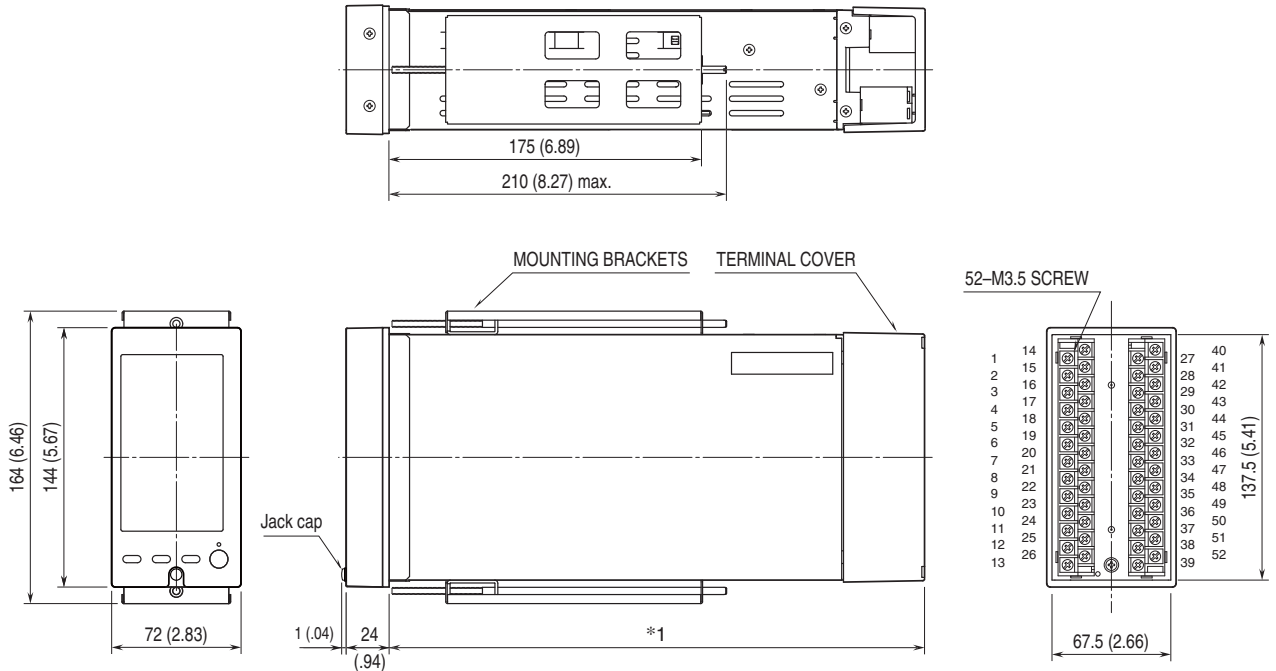
■ SC100/200

■ INFRARED COMMUNICATION TYPE



- *1. Standard model: 250 mm (9.84")
- Option /300: 300 mm (11.81")
- Option /400: 400 mm (15.75")
- Option /600: 600 mm (23.62")

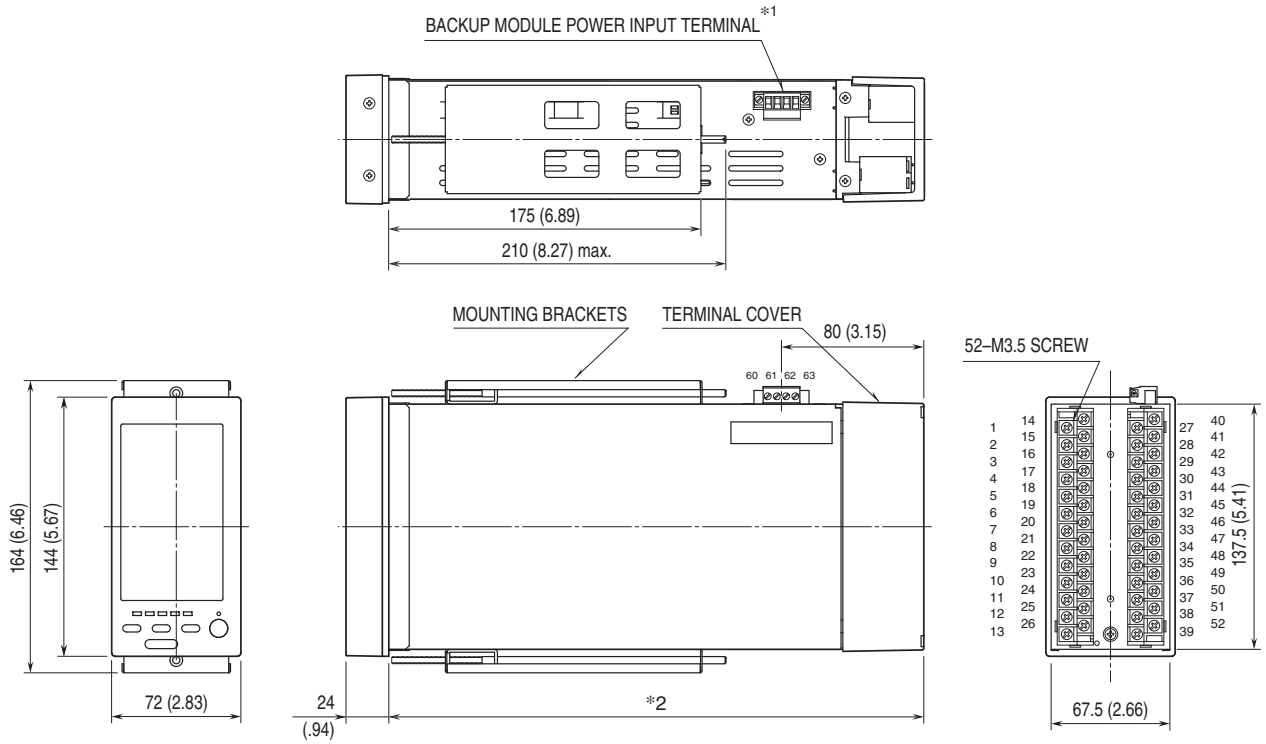
■ STEREO JACK TYPE



- *1. Standard model: 250 mm (9.84")
- Option /300: 300 mm (11.81")
- Option /400: 400 mm (15.75")
- Option /600: 600 mm (23.62")

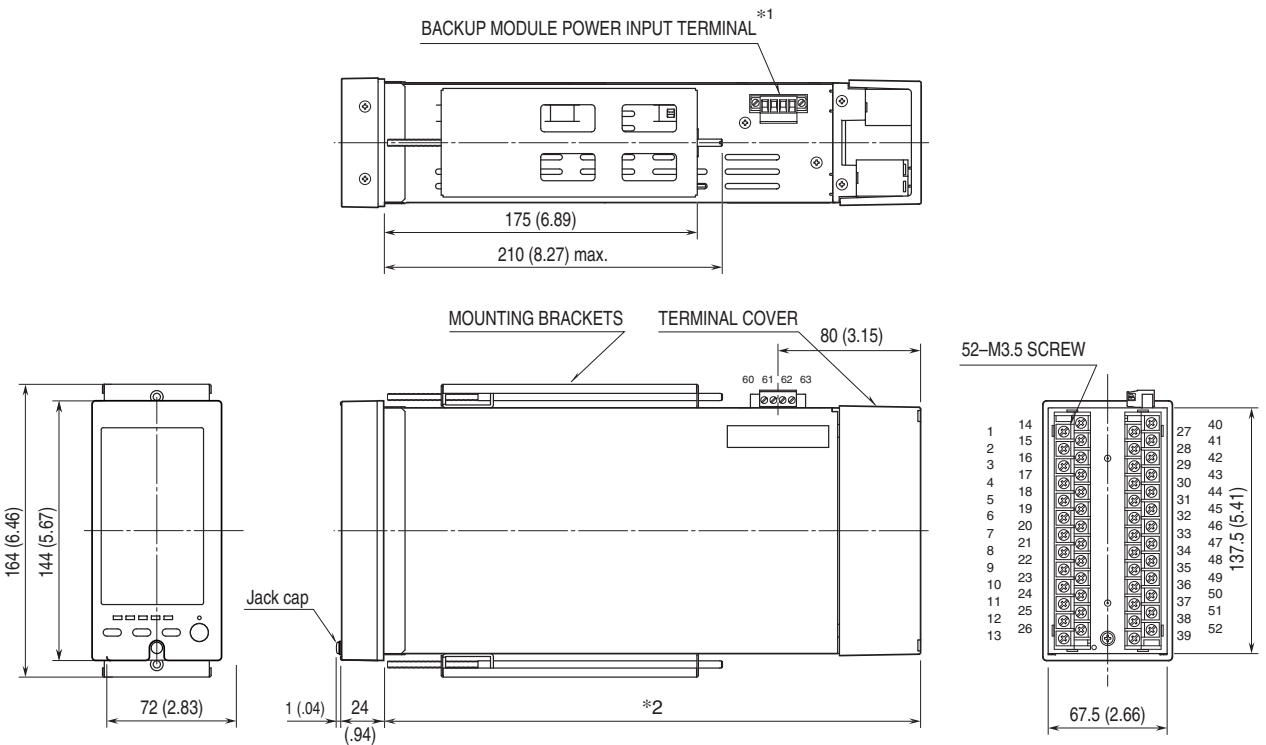
■ SC110/210

■ INFRARED COMMUNICATION TYPE



*1. Option /M2, /R only *2. Option /300: 300 mm (11.81")
 Option /400: 400 mm (15.75")
 Option /600: 600 mm (23.62")

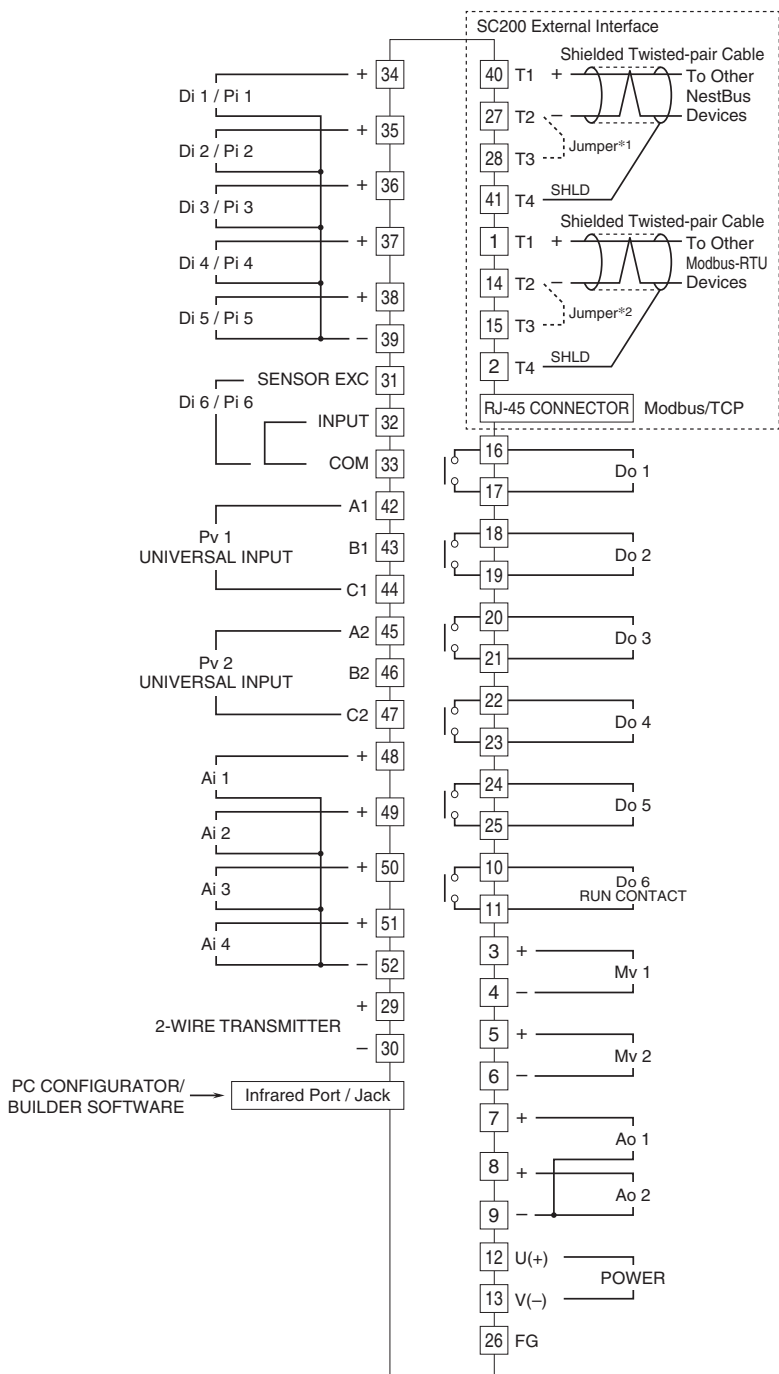
■ STEREO JACK TYPE



*1. Option /M2, /R only *2. Option /300: 300 mm (11.81")
 Option /400: 400 mm (15.75")
 Option /600: 600 mm (23.62")

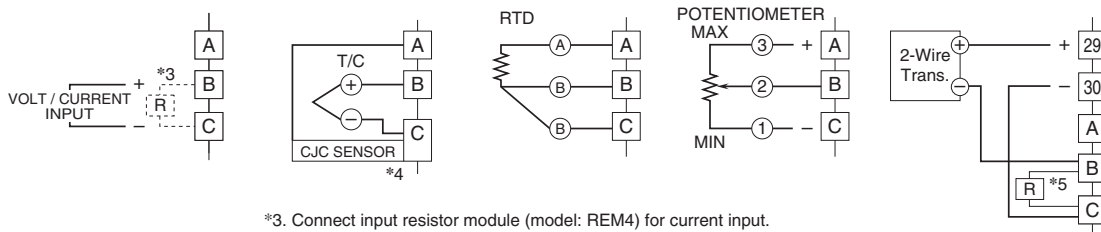
4.9 CONNECTION DIAGRAM

■ SC100/200



- *1. Close across the terminals 27 – 28 when the unit is located at the end of a transmission line (= no cross-wiring).
- *2. Close across the terminals 14 – 15 when the unit is located at the end of a transmission line (= no cross-wiring).

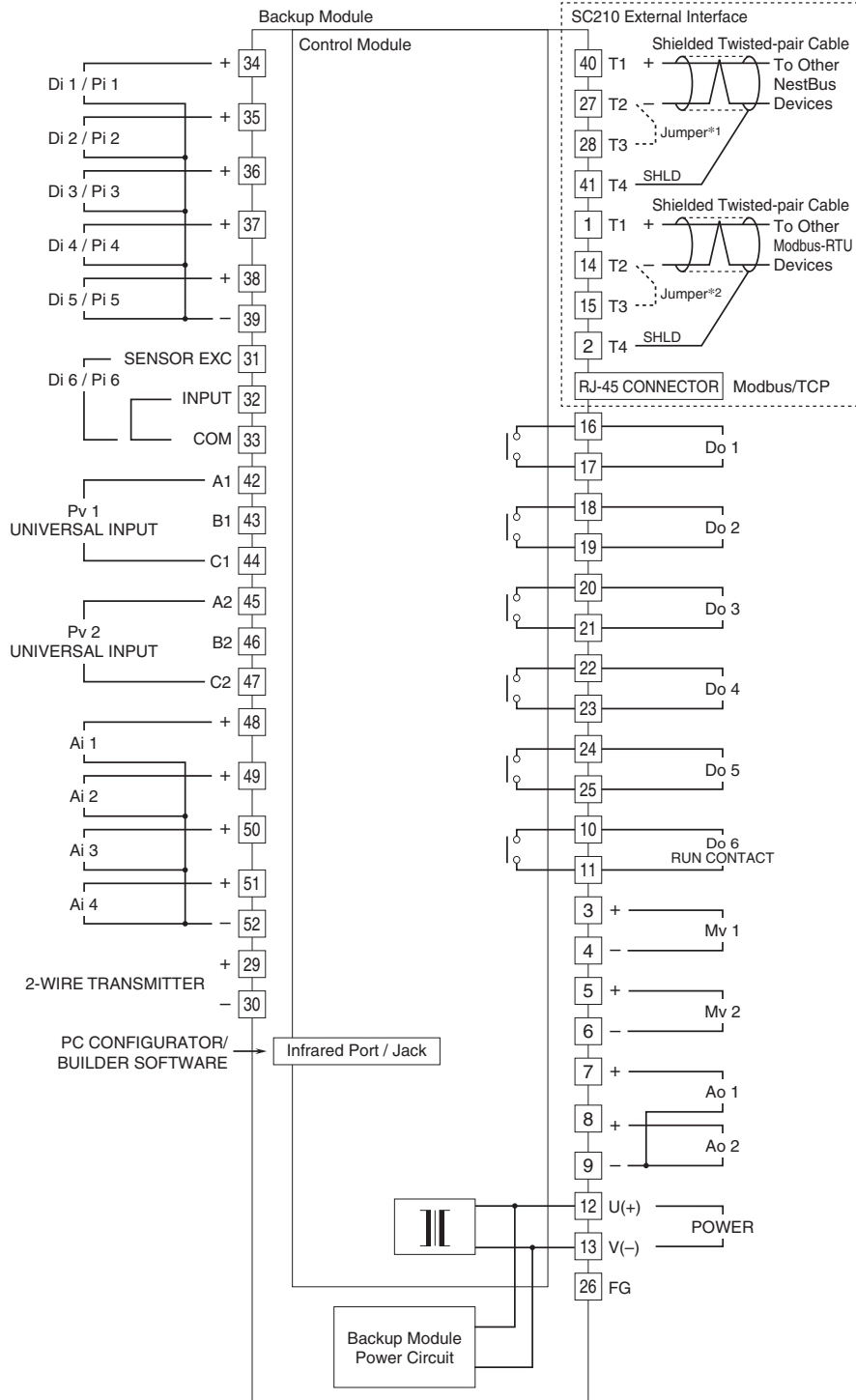
■ UNIVERSAL INPUT CONNECTION E.G.



- *3. Connect input resistor module (model: REM4) for current input.
- *4. Connect CJC sensor for thermocouple input.
- *5. Connect input resistor module (model: REM4).

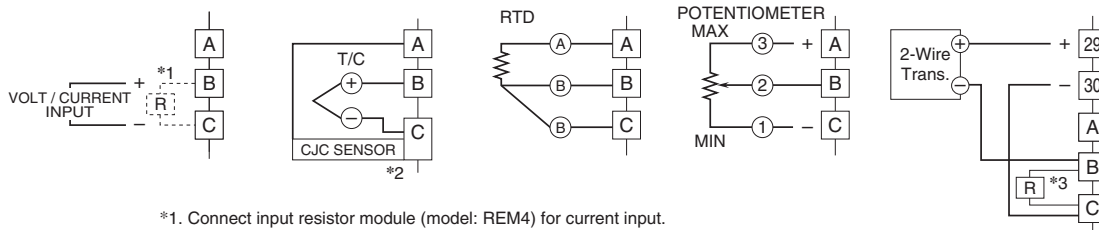
■ SC110/210

■ BACKUP MODULE POWER SUPPLY: SINGLE SUPPLY



- *1. Close across the terminals 27 – 28 when the unit is located at the end of a transmission line (= no cross-wiring).
- *2. Close across the terminals 14 – 15 when the unit is located at the end of a transmission line (= no cross-wiring).

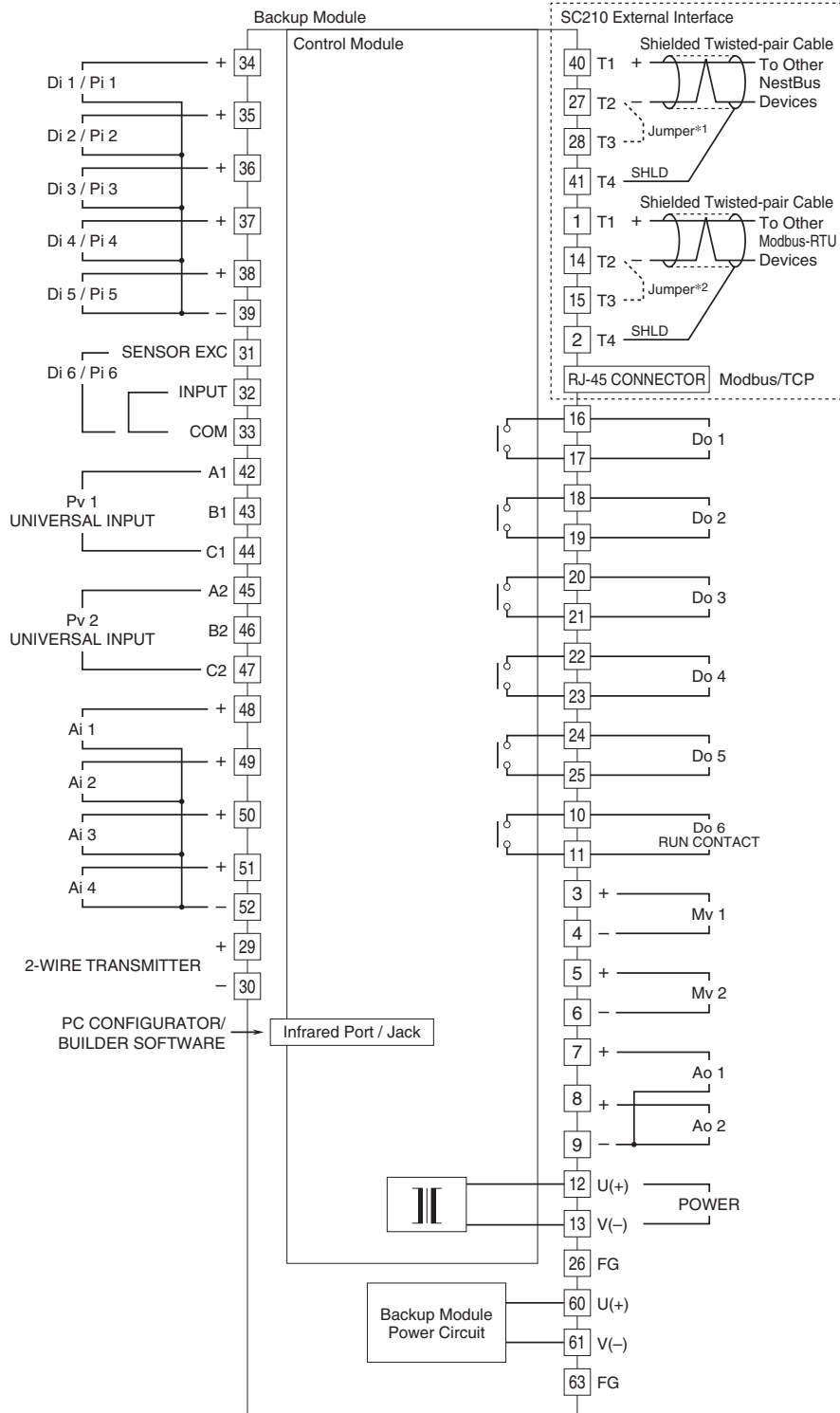
■ UNIVERSAL INPUT CONNECTION E.G.



- *1. Connect input resistor module (model: REM4) for current input.
- *2. Connect CJC sensor for thermocouple input.
- *3. Connect input resistor module (model: REM4).

■ SC110/210

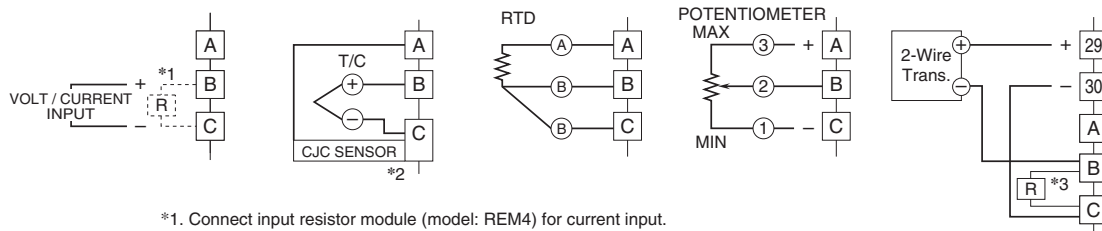
■ BACKUP MODULE POWER SUPPLY: DUAL SUPPLY



*1. Close across the terminals 27 – 28 when the unit is located at the end of a transmission line (= no cross-wiring).

*2. Close across the terminals 14 – 15 when the unit is located at the end of a transmission line (= no cross-wiring).

■ UNIVERSAL INPUT CONNECTION E.G.



*1. Connect input resistor module (model: REM4) for current input.

*2. Connect C/JC sensor for thermocouple input.

*3. Connect input resistor module (model: REM4).

5. DEFAULT LOOP CONFIGURATION

5.1 GENERAL DESCRIPTIONS

The Controller is designed to suit with a wide variety of applications using two PID function blocks together with numerous computational functions.

The factory default programming enables the Controller to function as basic PID controller.

The explanation for the usage with the factory default settings is described below.

Parameters can be changed with the touch panel.

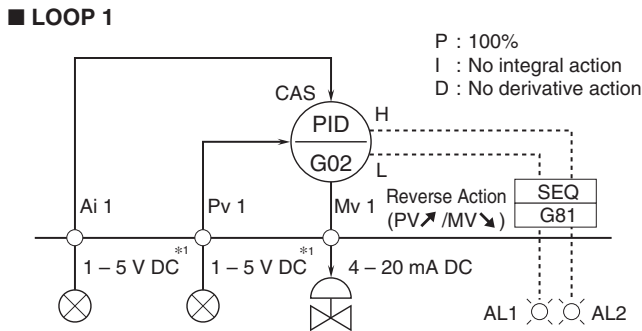
5.2 EX-FACTORY SETTING

• Loop 1

Basic PID is preset.

Measured input (Pv 1) is provided to PID block. MV output from the PID block is connected to the external Mv 1 terminal. Analog input (Ai 1) is assigned to CAS terminal of the PID block. The setting method '0' (LOCAL) is set, therefore SP value can be changed only on the front panel control.

When CASCADE/LOCAL setting mode '1' is selected, cascade control with Ai 1 value is available. High and low alarms for Pv 1 are displayed at AL1 and AL2 lamp on the LCD.



*1. Factory default

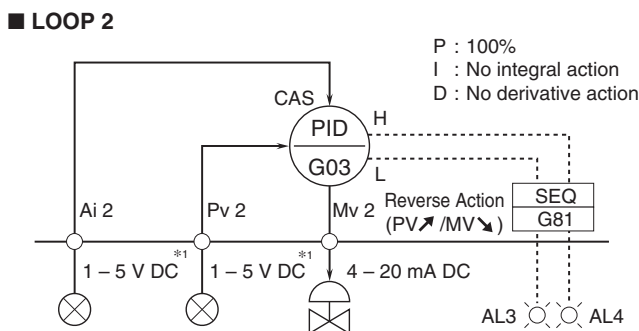
Note: Use the Loop Configuration Builder Software (model: SFEW3E) for loop configuration.

• Loop 2

Basic PID is preset.

Measured input (Pv 2) is provided to PID block. MV output from the PID block is connected to the external Mv 2 terminal. Analog input (Ai 2) is assigned to CAS terminal of the PID block. The setting method '0' (LOCAL) is set, therefore SP value can be changed only on the front panel control.

When CASCADE/LOCAL setting mode '1' is selected, cascade control with Ai 2 value is available. High and low alarms for Pv 2 are displayed at AL3 and AL4 lamp on the LCD.



*1. Factory default

Note: Use the Loop Configuration Builder Software (model: SFEW3E) for the loops configuration.

MAIN PARAMETER DEFAULT SETTING

GROUP	ITEM	DATA	PARAMETER
01	10	11	Field Terminal
	43	AL1	AL1 message
	44	AL2	AL2 message
	45	AL3	AL3 message
	46	AL4	AL4 message
02	10	21	Basic PID
	15	0421	G04 (SC) Pv 1 is assigned to Basic PID PV connection terminal.
	19	115	PV high alarm setpoint
	20	-15	PV low alarm setpoint
	24	0423	G04 (SC) Ai 1 is assigned to Basic PID CAS connection terminal.
	29	0	Setting method (0: LOCAL)
	40	1	Control direction (reverse: MV decreases with PV increasing)
	82	10000	Upper range (in engineering unit)
	83	0	Lower range (in engineering unit)
	84	2	Decimal point position (from rightmost digit)
	86	0	MV reverse indication (direct)
03	10	21	Basic PID
	15	0422	G04 (SC) Pv 2 is assigned to Basic PID PV connection terminal.
	19	115	PV high alarm setpoint
	20	-15	PV low alarm setpoint
	24	0424	G04 (SC) Ai 2 is assigned to Basic PID CAS connection terminal.
	29	0	Setting method (0: LOCAL)
	40	1	Control direction (reverse: MV decreases with PV increasing)
	82	10000	Upper range (in engineering unit)
	83	0	Lower range (in engineering unit)
	84	2	Decimal point position (from rightmost digit)
	86	0	MV reverse indication (direct)
04	10	12	Extension Field Terminal
	25	0225	G02 (Basic PID) MV output is assigned to Mv 1 connection terminal of SC Field Terminal.
	26	0325	G03 (Basic PID) MV output is assigned to Mv 2 connection terminal of SC Field Terminal.
81	10	95	Sequential Control
	11	13 : 0000	Step command
	12	01 : 0202	G02 (Basic PID) PV low alarm is assigned to G01 (SC) AL1 lamp input terminal.
	13	07 : 0101	
	14	01 : 0201	G02 (Basic PID) PV high alarm is assigned to G01 (SC) AL2 lamp input terminal.
	15	07 : 0102	
	12	01 : 0302	G03 (Indicator) PV low alarm is assigned to G01 (SC) AL3 lamp input terminal.
	13	07 : 0103	
	14	01 : 0301	G03 (Indicator) PV high alarm is assigned to G01 (SC) AL4 lamp input terminal.
	15	07 : 0104	
	16	00 : 0000	End

Note: Refer to SC100/SC200 Function Block List.

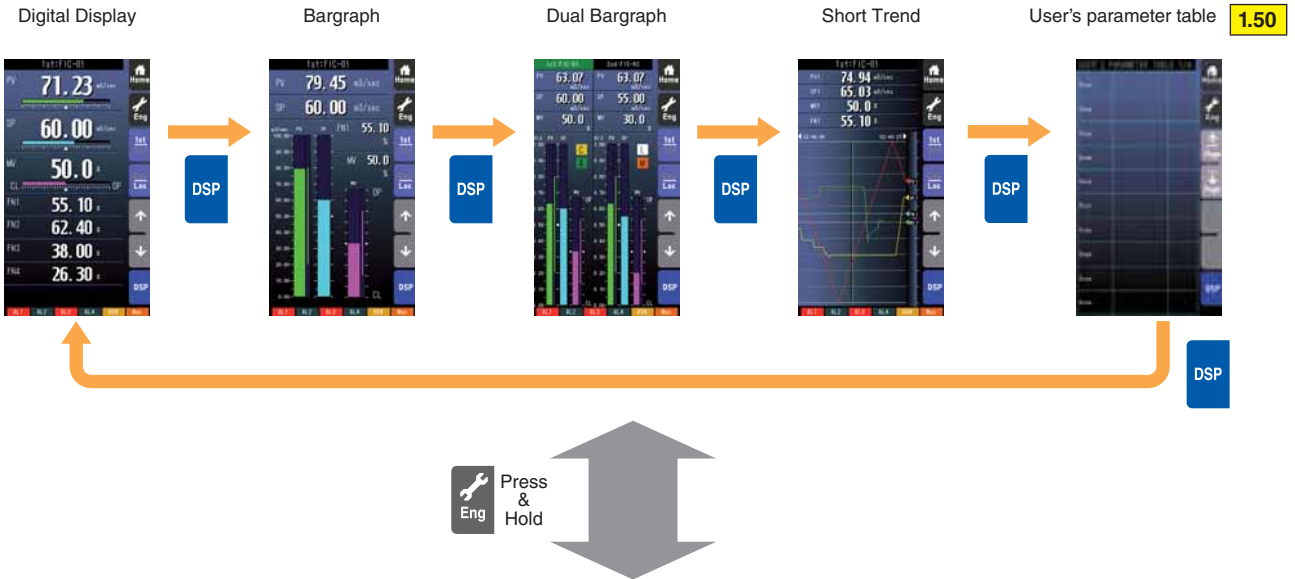
6. DISPLAY OPERATIONS

6.1 GENERAL DESCRIPTIONS

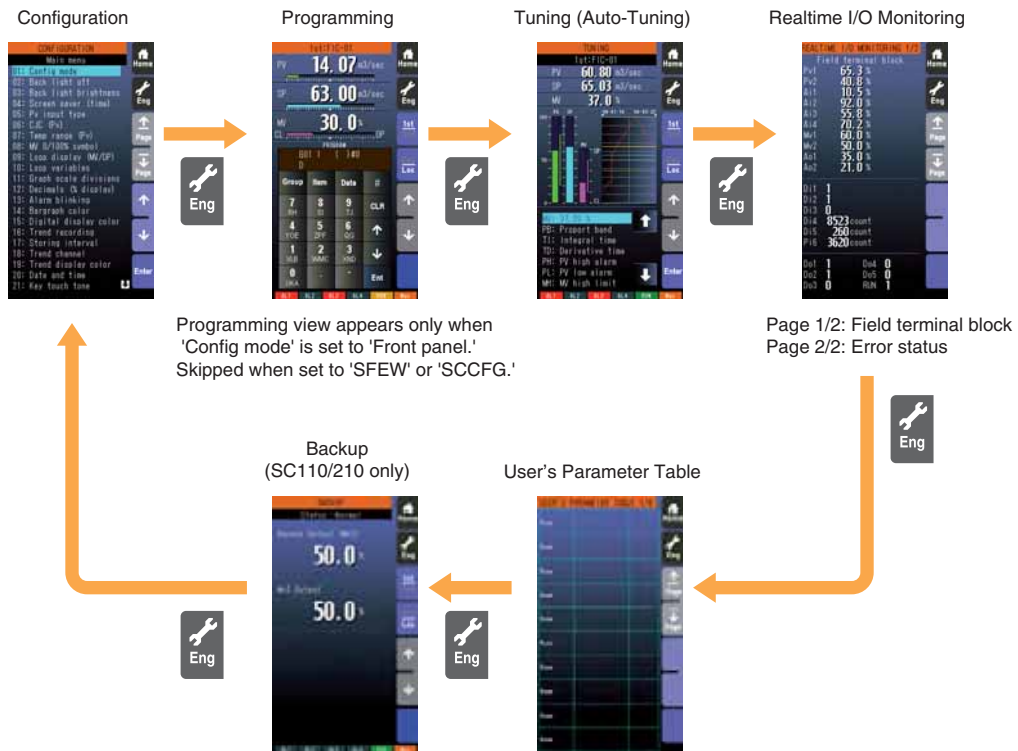
The Controller has two main screen groups, "Operation view" and "Engineering view." Views switch with touch panel operation. Unnecessary operation views can be skipped by presetting.

In digital displays, PV and SP have 7 digits (the 5th decimal digit is rounded down when the number of decimal places is set to 5). The MV also has 7 digits. (Sign and decimal point included)

OPERATION VIEWS



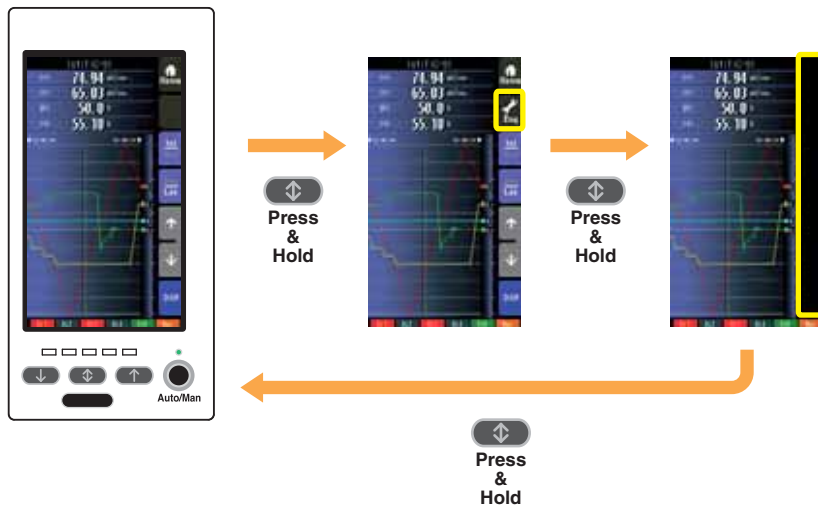
ENGINEERING VIEWS



Operation Buttons Lock Out

Pressing/holding the acceleration button for approx. 5 seconds activates [Eng] button on the screen. Then repeating the action at this state locks out the touch panel operation buttons. (Hardware buttons are not locked.)

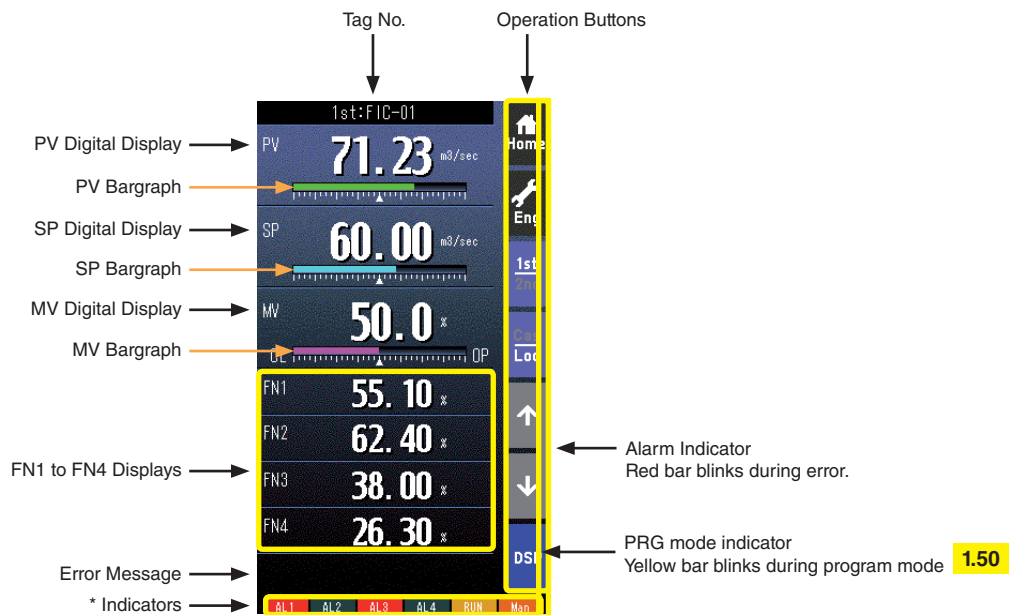
In order to release them, press/hold it again for approx. 5 seconds.



6.2 OPERATION VIEWS

6.2.1 DIGITAL DISPLAY VIEW

6.2.1.1 SCREEN COMPONENTS

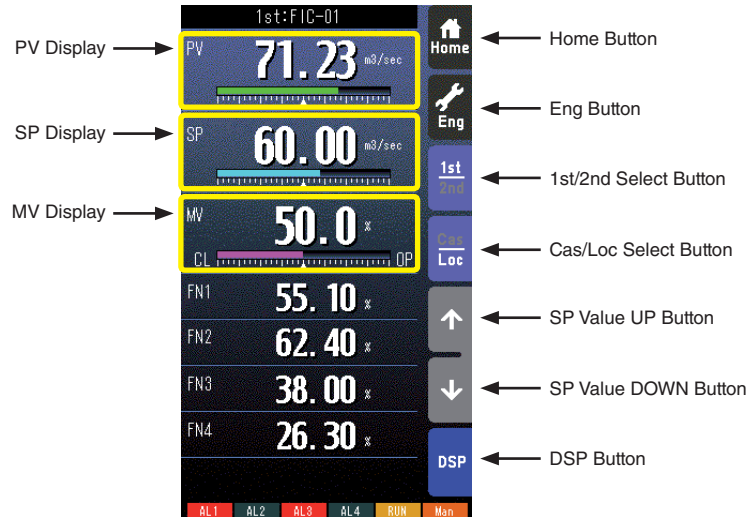


- Pressing on '1st/2nd' button switches between the primary and secondary loop.
- Bargraphs represent respective signals in percentage.
- PV and SP digital displays can be switched between engineering unit data and percentage. Switching is possible when 'Select unit mode' setting is set to 'Selectable.' (Refer to: 6.3.1.28 SELECT UNIT MODE)
- When error is detected, the error message is displayed on the ERROR code area.
- Refer to Appx 5. DIGITAL DISPLAY ERROR MESSAGES.
- Tag No. (FN1 to FN4) can be displayed maximum 4 characters. **1.50**

* Indicators

INDICATOR	EXPLANATIONS
AL1 to AL4	Background color turns red during alarm.
RUN / STOP	RUN: Green in normal conditions; Amber in an abnormality. STOP: Grey when the Controller operation is stopped; Red when the memory is failed.
Auto / Man	Auto: Green Auto indicator turns on. Man: Orange Man indicator turns on. The lamp indicates the status of the loop specified in 'Loop display (MV/OP)' setting. (Refer to: 6.3.1.12 LOOP DISPLAY (MV/OP))

6.2.1.2 DIGITAL DISPLAY OPERATIONS



Home button

Used to switch the view to the one registered as Home operation view.

Pressing/holding the button for approx. 1 second registers the view as Home view (including the 1st/2nd choice).

Eng button

Pressing/holding the button for approx. 1 second switches the view to Engineering view.

Once the view is switched, it is used to switch among the engineering views.

1st/2nd select button

Used to switch between the primary and the secondary loops. Valid only when the secondary is set.

Cas/Loc select button

Pressing/holding the button for approx. 1 second switches the control mode between cascade (Cas) and local (Loc). Valid only when 'Set mode Cas/Loc' setting under the tuning parameters is set to 'Cascade/Local.'

The button operation can be locked by SC field terminal setting. Refer to SC100/200 Series Function Block List.

SP value UP button *1

Used to increase SP value in the speed of 40 seconds per full-scale. Touching it briefly increases the value digit by digit.

The button operation can be locked by SC field terminal setting. Refer to SC100/200 Series Function Block List.

SP value DOWN button *1

Used to decrease SP value in the speed of 40 seconds per full-scale. Touching it briefly decreases the value digit by digit.

The button operation can be locked by SC field terminal setting. Refer to SC100/200 Series Function Block List.

DSP button

Used to switch among the operation views.

PV display

Touching on the display field switches the PV value in engineering unit and in %. Valid only when 'Selectable' under 'Select unit mode' selection is specified.

SP display

Touching on the display field opens a numerical pad to directly enter SP value. (Numerical pad is not available in CAS mode.)

MV display

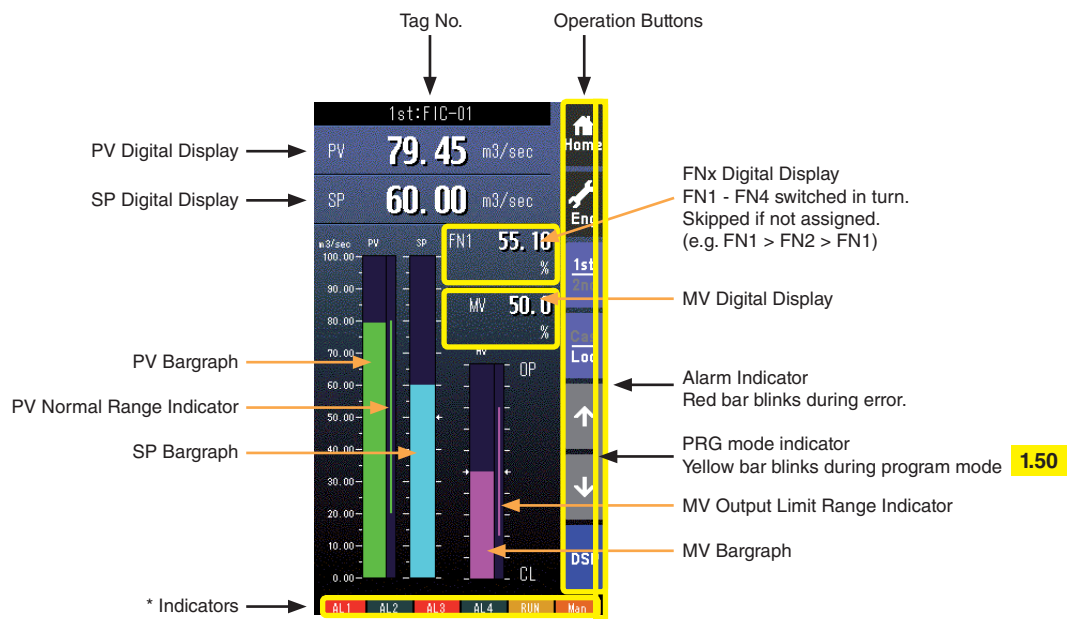
Touching on the display field opens a numerical pad to directly enter MV value. (Numerical pad is not available in AUTO mode.)

Note: Refer to Section 3.12 FRONT PANEL CONFIGURATION for MV operation details.

*1. SP buttons are locked in CAS mode.

6.2.2 BARGRAPH DISPLAY VIEW

6.2.2.1 SCREEN COMPONENTS

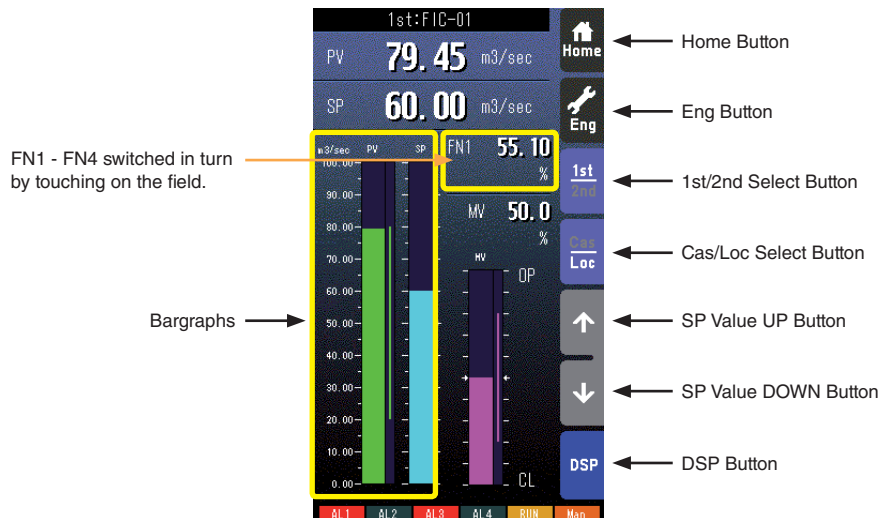


- Pressing on [1st/2nd] button switches between the primary and secondary loops.
- PV and SP values are shown in engineering unit value.
- Engineering unit and % scale can be switched with PV and SP bargraphs.

* Indicators

INDICATOR	EXPLANATIONS
AL1 to AL4	Background color turns red during alarm.
RUN / STOP	RUN: Green in normal conditions; Amber in an abnormality. STOP: Grey when the Controller operation is stopped; Red when the memory is failed.
Auto / Man	Auto: Green Auto indicator turns on. Man: Orange Man indicator turns on. The lamp indicates the status of the loop specified in 'Loop display (MV/OP)' setting. (Refer to: 6.3.1.12 LOOP DISPLAY (MV/OP))

6.2.2.2 BARGRAPH DISPLAY VIEW OPERATIONS



Home button

Used to switch the view to the one registered as Home operation view.
Pressing/holding the button for approx. 1 second registers the view as Home view (including the 1st/2nd choice).

Eng button

Pressing/holding the button for approx. 1 second switches the view to Engineering view.
Once the view is switched, it is used to switch among the engineering views.

1st/2nd select button

Used to switch between the primary and the secondary loops. Valid only when the secondary is set.

Cas/Loc select button

Pressing/holding the button for approx. 1 second switches the control mode between cascade (Cas) and local (Loc). Valid only when 'Set mode Cas/Loc' setting under the tuning parameters is set to 'Cascade/Local.'

The button operation can be locked by SC field terminal setting. Refer to SC100/200 Series Function Block List.

SP value UP button *1

Used to increase SP value in the speed of 40 seconds per full-scale. Touching it briefly increases the value digit by digit.
The button operation can be locked by SC field terminal setting. Refer to SC100/200 Series Function Block List.

SP value DOWN button *1

Used to decrease SP value in the speed of 40 seconds per full-scale. Touching it briefly decreases the value digit by digit.
The button operation can be locked by SC field terminal setting. Refer to SC100/200 Series Function Block List.

DSP button

Used to switch among the operation views.

Bargraphs

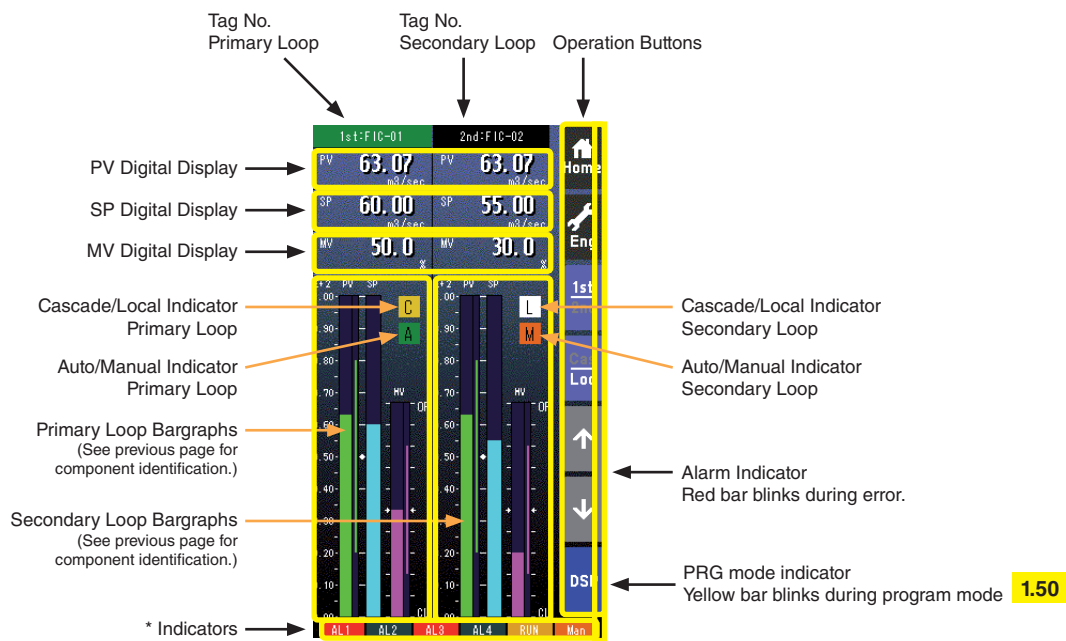
% and engineering unit scale switched in turn by touching on the field when 'Select unit mode' is set. (Refer to: 6.3.1.28 SELECT UNIT MODE) Switching the scale on this view affects the same setting for Dual Loop Bargraph view.

Note: Refer to Section 3.12 FRONT PANEL CONFIGURATION for MV operation details.

*1. SP buttons are locked in CAS mode.

6.2.3 DUAL LOOP BARGRAPH VIEW

6.2.3.1 SCREEN COMPONENTS

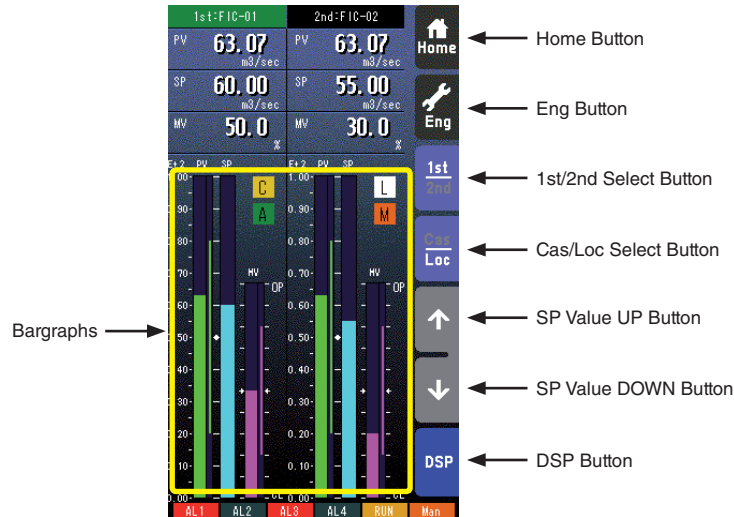


- Pressing on [1st/2nd] button switches between the primary and secondary loops.
- The secondary loop bargraph field is blank with only the background color when the secondary loop is not assigned.
- The background color of the tag field for the selected loop turns to the color specified in 'Selected loop color' setting.

* Indicators

INDICATOR	EXPLANATIONS
AL1 to AL4	Background color turns red during alarm.
RUN / STOP	RUN: Green in normal conditions; Amber in an abnormality. STOP: Grey when the Controller operation is stopped; Red when the memory is failed.
Auto / Man	Auto: Green Auto indicator turns on. Man: Orange Man indicator turns on. The lamp indicates the status of the loop specified in 'Loop display (MV/OP)' setting. (Refer to: 6.3.1.12 LOOP DISPLAY (MV/OP))

6.2.3.2 DUAL-BARGRAPH VIEW OPERATIONS



Home button

Used to switch the view to the one registered as Home operation view.
Pressing/holding the button for approx. 1 second registers the view as Home view (including the 1st/2nd choice).

Eng Button

Pressing/holding the button for approx. 1 second switches the view to Engineering view.
Once the view is switched, it is used to switch among the engineering views.

1st/2nd Select button

Used to switch between the primary and the secondary loops. Valid only when the secondary is set. The background color of the tag field for the selected loop turns green.

Cas/Loc Select button

Pressing/holding the button for approx. 1 second switches the control mode between cascade (Cas) and local (Loc). Valid only when 'Set mode Cas/Loc' setting under the tuning parameters is set to 'Cascade/Local.'

The button operation can be locked by SC field terminal setting. Refer to SC100/200 Series Function Block List.

SP value UP button *1

Used to increase SP value in the speed of 40 seconds per full-scale. Touching it briefly increases the value digit by digit.
The button operation can be locked by SC field terminal setting. Refer to SC100/200 Series Function Block List.

SP value DOWN button *1

Used to decrease SP value in the speed of 40 seconds per full-scale. Touching it briefly decreases the value digit by digit.
The button operation can be locked by SC field terminal setting. Refer to SC100/200 Series Function Block List.

DSP button

Used to switch among the operation views.

Bargraphs

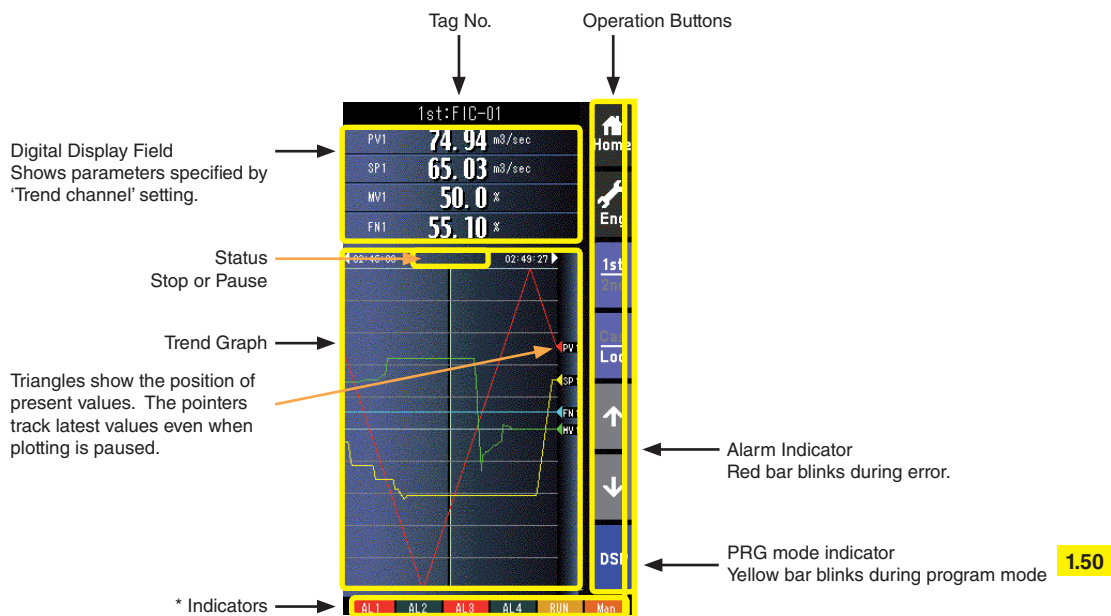
% and engineering unit scale switched in turn by touching on the field when 'Select unit mode' is set. (Refer to: 6.3.1.28 SELECT UNIT MODE) Switching the scale on this view affects the same setting for Bargraph view.

Note: Refer to Section 3.12 FRONT PANEL CONFIGURATION for MV operation details.

*1. SP buttons are locked in CAS mode.

6.2.4 SHORT TREND VIEW

6.2.4.1 SCREEN COMPONENTS

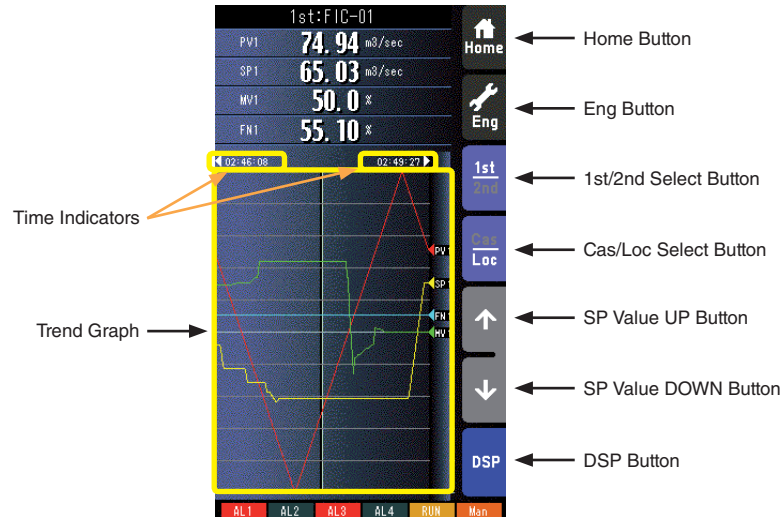


- Pressing on [1st/2nd] button switches between the primary and secondary loops.
- 200 samples are plotted on the chart.
- The graph operation is linked with that on Tuning view.
- Graph plotting is reset to restart in either of the following conditions:
 - When the power supply is turned on with 'Trend recording' set to 'Start.'
 - When 'Trend recording' setting is changed from 'Stop' to 'Start.'
 - When 'Storing interval' setting is changed.
 - When 'Trend channel' setting is changed.
 - When setting is initialized. (Refer to: 6.3.1.35 INITIALIZE)

* Indicators

INDICATOR	EXPLANATIONS
AL1 to AL4	Background color turns red during alarm.
RUN / STOP	RUN: Green in normal conditions; Amber in an abnormality. STOP: Grey when the Controller operation is stopped; Red when the memory is failed.
Auto / Man	Auto: Green Auto indicator turns on. Man: Orange Man indicator turns on. The lamp indicates the status of the loop specified in 'Loop display (MV/OP)' setting. (Refer to: 6.3.1.12 LOOP DISPLAY (MV/OP))

6.2.4.2 SHORT TREND VIEW OPERATIONS



Home button

Used to switch the view to the one registered as Home operation view.

Pressing/holding the button for approx. 1 second registers the view as Home view (including the 1st/2nd choice).

Eng Button

Pressing/holding the button for approx. 1 second switches the view to Engineering view.

Once the view is switched, it is used to switch among the engineering views.

1st/2nd select button

Used to switch between the primary and the secondary loops. Valid only when the secondary is set.

Cas/Loc select button

Pressing/holding the button for approx. 1 second switches the control mode between cascade (Cas) and local (Loc). Valid only when 'Set mode Cas/Loc' setting under the tuning parameters is set to 'Cascade/Local.'

The button operation can be locked by SC field terminal setting. Refer to SC100/200 Series Function Block List.

SP value UP button*1

Used to increase SP value in the speed of 40 seconds per full-scale. Touching it briefly increases the value digit by digit.

The button operation can be locked by SC field terminal setting. Refer to SC100/200 Series Function Block List.

SP value DOWN button*1

Used to decrease SP value in the speed of 40 seconds per full-scale. Touching it briefly decreases the value digit by digit.

The button operation can be locked by SC field terminal setting. Refer to SC100/200 Series Function Block List.

DSP button

Used to switch among the operation views.

Trend graph

Plotting is frozen by touching on the chart. The screen shows 'Pause' while it is stopped. Plotting is restarted at the point of latest data sampling when the chart is touched again.

Time indicators

The chart can be scrolled by half the screen chart span when time indicator is touched (max. two chart spans). It moves to the directions indicated with arrows beside the time indication. Scrolling is available when the arrows are yellow.

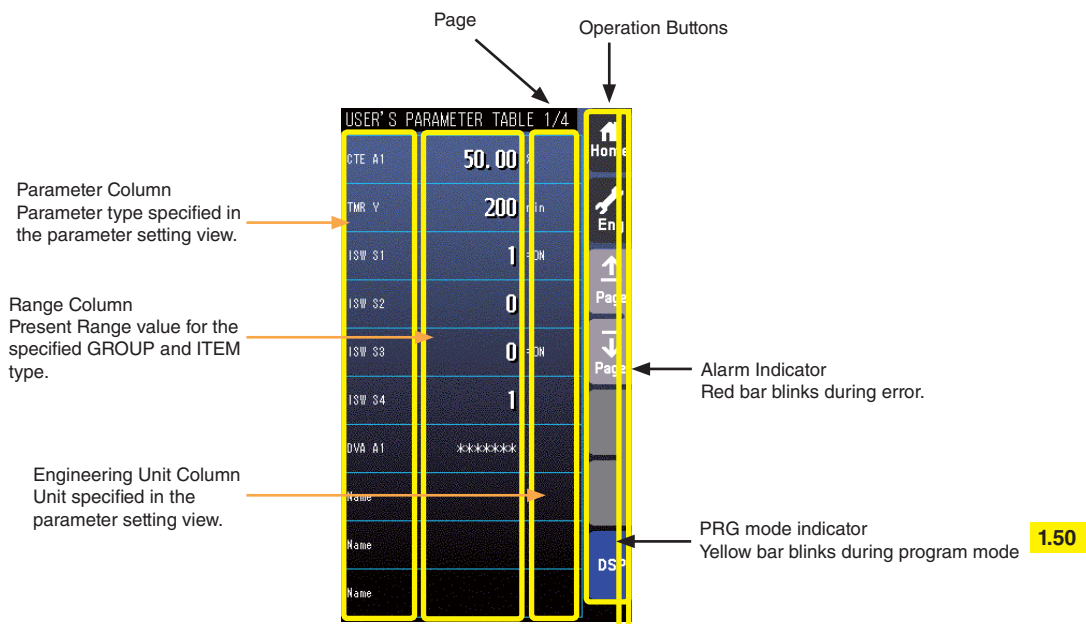
Note: Refer to Section 3.12 FRONT PANEL CONFIGURATION for MV operation details.

*1. SP buttons are locked in CAS mode.

6.2.5 USER'S PARAMETER TABLE 1.50

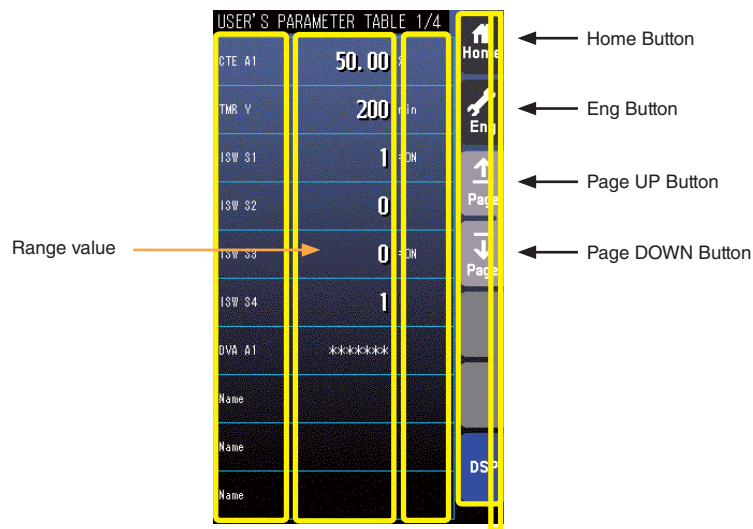
6.2.5.1 SCREEN COMPONENTS

Parameters are registered in the Parameter setting view displayed from User's parameter table in the Engineering views. Refer to 6.3.5.3 PARAMETER SETTING VIEW OPERATIONS.



- At the maximum of 40 parameters (10 per page, 4 pages in total) can be registered for the user's convenience.
- Only the parameter type identification is displayed when it is disabled in the Parameter Setting view.
- '*****' is indicated in Range cell when illegal GROUP and/or ITEM No. are set for the parameter.

6.2.5.2 OPERATIONS



Home button

Used to switch the view to the one registered as Home operation view.
Pressing/holding the button for approx. 1 second registers the view as Home view (including the 1st/2nd choice).

Eng Button

Pressing/holding the button for approx. 1 second switches the view to Engineering view.
Once the view is switched, it is used to switch among the engineering views.

Page UP button

Used to go to the previous page of the main menu.

Page DOWN button

Used to go to the next page of the main menu.

Range value

Touching over a Range cell opens a numeric keypad.
The numeric keypad is not available (1) when '*****' is indicated in Range cell for which illegal GROUP and/or ITEM No. are set, or (2) when the Config. mode is set to 'SFEW'.

Note

Calculation errors when converting range value to internal percentage.
When 20000 and 0 is set as Range high/low limit, setting to 9999 and converting to percentage, 49.995 % is obtained, however, internally it is processed as 49.99 %. Therefore the display shows "9998".

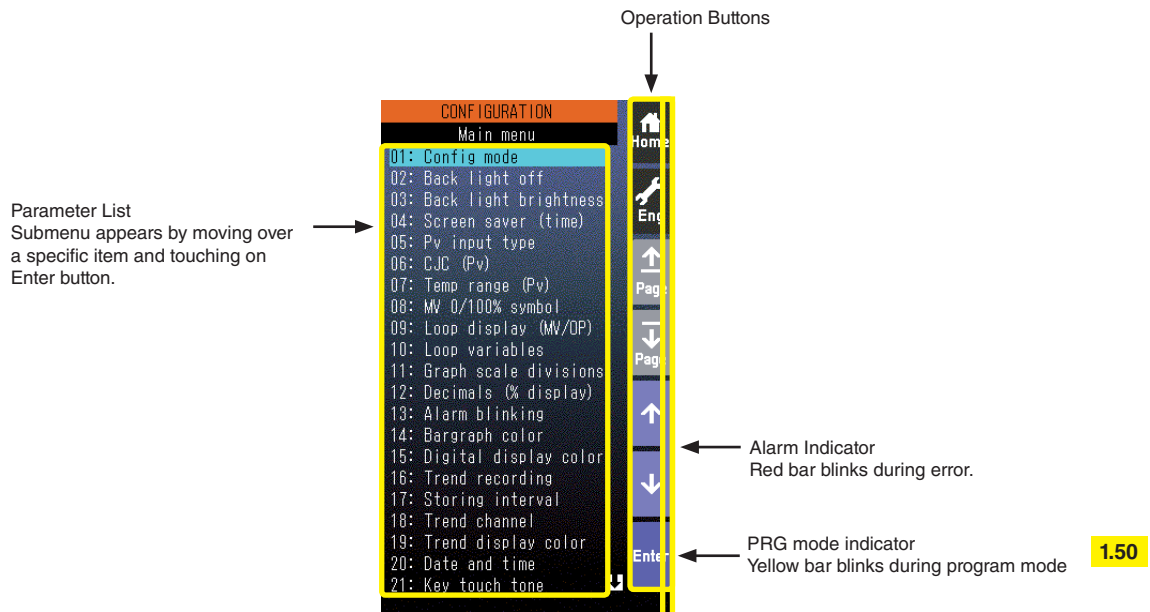
Only the acceleration button among the hardware buttons at the front is usable when the Realtime I/O Monitoring view is on screen. The MV value UP/DOWN buttons and the AUTO / MAN selector are locked.

Parameter settings are not available in the User's parameter table of Operation views. Set the parameters in the Parameter list of Engineering views.

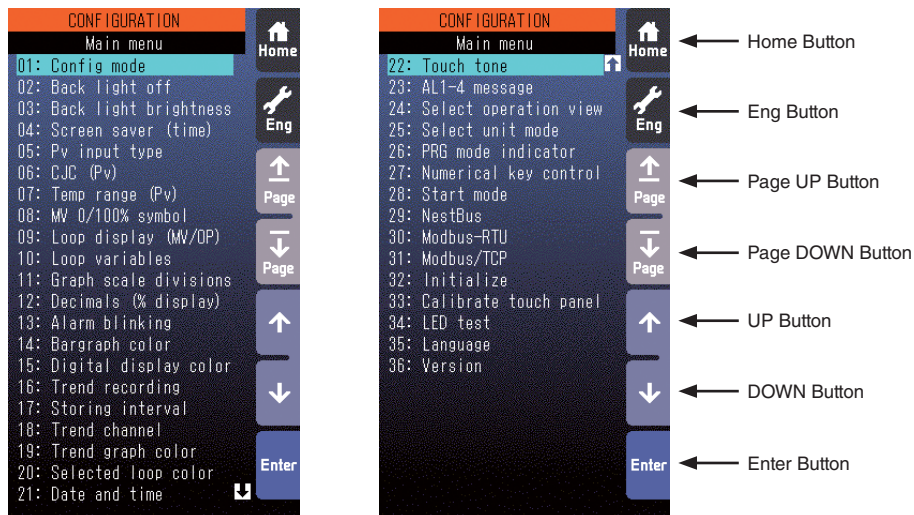
6.3 ENGINEERING VIEWS

6.3.1 CONFIGURATION VIEW

6.3.1.1 SCREEN COMPONENTS



6.3.1.2 CONFIGURATION VIEW OPERATIONS



The above menu list is an example of model SC210.
Parameter items can be selected by directly touching over the menu list.

Home button

Used to switch the view to the one registered as Home operation view.

Eng button

Used to switch among the engineering views.

Pressing/holding the button for approx. 1 second switches the view to Operation view.

Page UP button

Used to go to the previous page of the main menu.

Page DOWN button

Used to go to the next page of the main menu.

UP button

Used to go up to next item among listed selections.

DOWN button

Used to go down to next item among listed selections.

Enter button

Used to apply the data indicated on the display.

6.3.1.3 CONFIGURATION PARAMETERS

ITEM	DATA	DEFAULT	CONTENTS	INITIALIZE: Y Locked during the SFEW comm.: R
Config mode	Front panel, SFEW, SCCFG	Front panel	Specify the means of configuring the Controller.	----
Back light off	----	----	Manual backlight control (ON by touching on the panel; shows Home view)	----
Back light brightness	1, 2, 3, 4, 5	5	Backlight brightness control	Y
Screen saver (time)	0, 1 – 99 minutes	0 (OFF)	Time before the screen turns off when not accessed. Screen saver does not turn on when: - PV high or low alarm is tripped. - ALM1, ALM2, ALM3 or ALM4 is indicated. - The device is in an abnormality. - Engineering view is on the screen.	Y
Pv input type	0 – 25	3 (1 – 5 V)	Pv 1 / Pv 2 input type 0:-10-10 V, 1: -1-1 V, 2: 0-10 V, 3: 1-5 V, 4: 0-1 V, 5: 4-20 mA, 6: K, 7: E, 8: J, 9: T, 10: B, 11: R, 12: S, 13: C, 14: N, 15: U, 16: L, 17: P, 18: PR, 19: Pt100 (JIS '97, IEC), 20: Pt100 (JIS '89), 21: JPt100 (JIS '89), 22: Pt50 (JIS '81), 23: Ni100, 24: MS, 25: DS	R
CJC (Pv)	Off, On	On	Cold junction compensation (valid only when a thermocouple type is selected with Pv input type)	R
Temp range (Pv)	-272.0 – 3000.0	0.0 – 1000.0	Upper / lower range temperature for Pv 1 / Pv 2 Selected range is applied to graph scale 0% and 100%. Function block data is converted into 0-100%.	R
MV-0/100% symbol	O, C, OP, CL, HI, LO, 100, 0, Max., Min., None	100%: OP 0%: CL	Mv 1 / Mv 2 graph scale 0% and 100% symbols	Y
Loop display (MV/OP)	1, 2	LP1: 1 LP2: 2	Mv signal assigned to the primary loop view. Mv signal assigned to the secondary loop view	Y
Loop variables	1, 2	1 (PV/SP/MV)	Variables assignment (order) for bargraphs 1: PV / SP / MV, 2: SV / PV / OP (SV=SP, OP=MV)	Y
Graph scale divisions	2 – 10	10	Number of divisions applied to graphs on Bargraph view	Y
Decimals (% display)	1, 2	1	Number of decimal places applied to % indication (PV1, PV2, SP1, SP2, MV1, MV2)	Y
Alarm blinking	Disable, Enable	Enable	Digital displays can be set to blink during PV and/or MV alarms.	Y
Bargraph color	18 colors (color chart)*1	Norm: 5 Hi: 1 Lo: 4	PV1 bargraph color (normal range, high alarm range, low alarm range)	Y
		Norm: 5 Hi: 1 Lo: 4	PV2 bargraph color (normal range, high alarm range, low alarm range)	
		Norm: 13 Hi: 12 Lo: 14	MV1 bargraph color (normal range, high alarm range, low alarm range)	
		Norm: 13 Hi: 12 Lo: 14	MV2 bargraph color (normal range, high alarm range, low alarm range)	
		8	SP1 bargraph color	
		8	SP2 bargraph color	
Digital display color	18 colors (color chart)*1	16	Digital display color (PV1, PV2, MV1, MV2, SP1, SP2, FN1, FN2, FN3, FN4) (High/Low alarm colors specified for bargraphs are applied.)	Y
Trend recording	Start, Stop	Start	Trend recording operation control	Y
Storing interval	1 sec thr. 60 min	10 sec	Short trend storing interval *2 (1, 2, 5, 10, 20, 30 sec, 1, 2, 5, 10, 30, 60 min)	Y
Trend channel	0 – 10	LP1 CH1: 1 LP1 CH2: 3 LP1 CH3: 5 LP1 CH4: 0 LP2 CH1: 2 LP2 CH2: 4 LP2 CH3: 6 LP2 CH4: 0	Short trend channel assignment (CH1 thr. CH4) 0: None, 1: PV1, 2: PV2, 3: SP1, 4: SP2, 5: MV1, 6: MV2, 7: FN1, 8: FN2, 9: FN3, 10: FN4	Y

ITEM	DATA	DEFAULT	CONTENTS	INITIALIZE: Y Locked during the SFEW comm.: R
Trend graph color	18 colors (color chart)*1	CH1: 1 CH2: 4 CH3: 5 CH4: 8	Short trend graph color (CH1 thr. CH4)	Y
Selected loop color	18 colors (color chart)*1	7	Background color of the tag field for the selected loop	Y
Date and time	----	----	Present date and time	----
Touch tone	Disable, Enable	Enable	Sound at the touch of buttons	Y
AL1-4 message	Max. 4 characters	AL1, AL2, AL3, AL4	Messages indicated on the alarm indicator lamps	R
Select operation view	Disable, Enable	Enable	Views to be indicated or skipped (digital, bargraph, dual-loop bargraph, short trend)	Y
Select unit mode	Selectable, Eng unit, %	Selectable	Scale setting for PV indicators (digital and bargraph)	R
PRG mode indicator 1.50	OFF, ON	ON	Yellow bar blinks during program mode.	Y
Numerical key control 1.50	Disable, Enable	Enable	Numerical key control for SP1, MV1, SP2, MV2.	Y
Start mode	Cold start, Hot start	Hot start	Control operation options at the startup (See the appendix of this manual for default values for cold start)	R
NestBus SC200/210	0 – F	0	Card No.	R
Modbus-RTU SC200/210	1 – 247	1	Node No.	Y
	4800, 9600, 19200, 38400	38400	Transfer rate	Y
	8 (fixed)	8	Data bit (fixed value, reference only)	Y
	None, Even, Odd	Odd	Parity	Y
Modbus/TCP SC200/210	0.0.0.0 ... 255.255.255.255	192.168.0.1	IP address	Y
	0.0.0.0 ... 255.255.255.255	255.255.255.0	Subnet mask	Y
	502 (fixed)	502	Port No. (fixed value, reference only)	Y
	0 – 3000	180	Linger time	Y
	00-10-9C-xx-xx-xx	----	Mac address (reference only)	----
Initialize	----	----	Resetting to factory default setting (applicable to items indicated with Y in the rightmost column)	----
Calibrate touch panel	----	----	Fine calibration of touch panel positioning	----
LED test SC110/210	Disable, Enable	----	Turning on MV setting LED for backup mode (test)	----
Language	Japanese, English	As specified when ordering	Display language	----
Version	----	----	Version No. indication (control, indication, I01, I02)	----

*1. Color chart

1	2	3
4	5	6
7	8	9
10	11	12
13	14	15
16	17	18

*2. Storing interval and timing

INTERVAL	TIMING	INTERVAL	TIMING
1 sec.	Every sec.	1 min.	Every min. 0 sec.
2 sec.	Even number of sec.	2 min.	Even number of min. 0 sec.
5 sec.	0, 5, 10, ... 55 sec.	5 min.	0, 5, ... 55 min. 0 sec.
10 sec.	0, 10, 20 ... 50 sec.	10 min.	0, 10, ... 50 min. 0 sec.
20 sec.	0, 20, 40 sec.	30 min.	0, 30 min. 0 sec.
30 sec.	0, 30 sec.	60 min.	Every hour, 0 min. 0 sec.

6.3.1.4 CONFIG MODE

Following methods are available for configuring the Controller.

- Via the front panel control on Programming view (Engineering views)
- SFEW3E Loop Configuration Builder software
- SCCFG PC Configurator software

When using infrared communication, be sure to set only one Controller module to SFEW or SCCFG communication mode at once so that other modules do not interfere when more than two modules are mounted close to each other. During the SFEW communication mode, the front monitor LED slowly blinks and the Programming view is locked (not displayed) among Engineering views. When the Controller is set to the SCCFG mode, the monitor LED rapidly blinks.

6.3.1.5 BACK LIGHT OFF

Screen backlight is forcibly turned off irrespective of alarm status of the moment. It is automatically turned on again when an alarm caused by new event is triggered or the screen is touched.

When the backlight is set to on, the Controller shows first Operation view registered as Home without the 'Eng' button.

6.3.1.6 BACK LIGHT BRIGHTNESS

Backlight brightness can be set from level 1 (darkest) to 5 (brightest) in 5 steps. Its life span is for approx. 50000 hours in 25°C (time before the brightness is reduced by half with brightness setting 5). Longer life is expected by reducing brightness level.

Characters/images on the screen may not clearly be legible in a bright environment such as under direct sunlight, even at the highest brightness setting. Place a sun shield over the front panel in such case.

6.3.1.7 SCREEN SAVER (time)

Screen saver can be set either to off, or on between 1 and 99 minutes. When the screen saver is on, backlight is turned off. Pressing any one of the front push buttons reactivates the backlight without applying its originally assigned function.

The module goes back to normal status in case of an alarm.

Screen saver does not turn on when:

- PV high or low alarm is tripped.
- AL1, AL2, AL3 or AL4 is indicated.
- The device is in an abnormality.
- Engineering view is on the screen.

6.3.1.8 PV INPUT TYPE

Choose an input type for universal input Pv1 and Pv2. Hardware wiring configuration may vary depending on the type. Refer to: 4.9 CONNECTION DIAGRAM.

6.3.1.9 COLD JUNCTION COMPENSATION (Pv)

Enable or disable cold junction compensation for T/C input.

When the function is enabled, the Controller measures absolute temperature to cancel errors by room temperature.

6.3.1.10 TEMPERATURE RANGE (Pv)

The Controller handles analog data in percentage between -15 and 115%. With temperature input (T/C or RTD), it converts a specific temperature range into the percentage. Temperature unit: °C.

6.3.1.11 MV 0/100% SYMBOL

MV bargraph can be accompanied with symbols indicating 0% and 100% status respectively. Choose among: O, C, OP, CL, HI, LO, 100, 0, Max, Min or no indication.

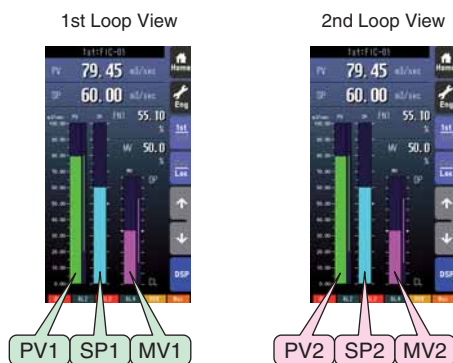
6.3.1.12 LOOP DISPLAY (MV/OP)

One module of the SC can control two loops and has Operation views for each loop. Basically each view shows parameters for one specific loop, but MV bargraph could be from the other loop. By choosing MV2 on the primary (1st) loop view, you can confirm the secondary loop operation at once.

MV control by the front push buttons and Auto/Man switching and indication by the front push buttons and LEDs are applicable to the selected MV signal.

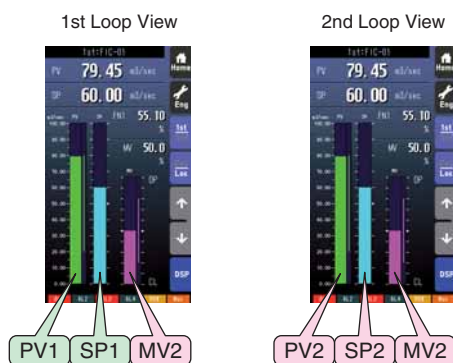
THE SETTING IS VALID ONLY FOR OPERATION VIEWS.

[Example 1] Primary (1st) loop MV = 1, Secondary (2nd) loop MV = 2 (default setting)



	1st loop view	2nd loop view
MV control	MV1	MV2
Auto/Man switching/indication	1st loop	2nd loop

[Example 2] Primary (1st) loop MV = 2, Secondary (2nd) loop MV = 2



	1st loop view	2nd loop view
MV control	MV2	MV2
Auto/Man switching/indication	2nd loop	2nd loop

By setting different colors for MV1 and MV2 bargraphs, indicated MV may be visually identifiable. Refer to: 6.3.1.17 BAR-GRAPH COLOR.

6.3.1.13 LOOP VARIABLES

Loop variable identification/position can be either PV - SP - MV or SV - PV - OP. SP replaces SV and MV replaces OP in the function blocks programming.

6.3.1.14 GRAPH SCALE DIVISIONS

Choose among 2 through 10 divisions for bargraph scales.

6.3.1.15 DECIMALS (% display)

Choose 1 or 2 decimal places for % displays.

6.3.1.16 ALARM BLINKING

Digital displays can be set to blink during PV and/or MV alarms.

6.3.1.17 BARGRAPH COLOR

Colors are selectable for: normal range, high alarm and low alarm for PV and MV bargraphs; normal range for SP bargraph. When a high/low alarm for PV or MV is tripped, the relevant digital display also turns to the specified color.

Refer to 6.3.1.3 CONFIGURATION PARAMETERS for color selections.

6.3.1.18 DIGITAL DISPLAY COLOR

Colors are selectable for PV, SP, MV and FN digital displays. When a high/low alarm for PV or MV is tripped, the relevant digital display turns to the color specified for alarms for the bargraphs. It blinks when alarm blinking is enabled.

Refer to Section 6.3.1.3 CONFIGURATION PARAMETERS for color selections.

6.3.1.19 TREND RECORDING

Used to start or stop trend recording.

6.3.1.20 STORING INTERVAL

Choose among 1 sec, 2 sec, 5 sec, 10 sec, 20 sec, 30 sec, 1 min, 2 min, 5 min, 10 min, 30 min and 60 min. Refer to Section 6.3.1.3 CONFIGURATION PARAMETERS for exact storing timing for each selection.

6.3.1.21 TREND CHANNEL

Trending for at the maximum of 4 variables (channels) per loop can be plotted on the screen and stored. Choose variables for each loop.

6.3.1.22 TREND GRAPH COLOR

Choose colors for each trend graph.

6.3.1.23 SELECTED LOOP COLOR

Choose a specific background color of the tag field for the selected loop on Dual Bargraph view.

6.3.1.24 DATE AND TIME

Time is indicated on Trend and Tuning views.

A real time clock (backup with capacitor, not with battery) is equipped in the module but time setting will be lost if the module is without power supply for an extended time period. Resetting may be required.

6.3.1.25 TOUCH TONE

Enable or disable touch tone for the front push buttons and touch panel buttons.

6.3.1.26 AL1-4 MESSAGE

A specific message can be indicated at alarm on the alarm indicators at the bottom of the screen. Max. 4 characters.

6.3.1.27 SELECT OPERATION VIEW

Operation views to be skipped when moving from one view to another can be specified. The one registered as Home cannot be disabled.

6.3.1.28 SELECT UNIT MODE

PV value display in Digital Display view and Bargraph view can be switched between engineering unit indication and % indication, or fixed at either selection.

6.3.1.29 PRG MODE INDICATOR 1.50

Choose blinking or not blinking of yellow bar during program mode (Item 01 of Group for Function block list is not 0.)

6.3.1.30 NUMERICAL KEY CONTROL 1.50

Choose disable/enable of numerical key control for SP and MV in the Digital Display.

6.3.1.31 START MODE

Choose hot start or cold start at the startup. With hot start setting, the module starts from the status at the moment of shut-down. With cold start setting, it initializes all parameters before starting.

Refer to Appx 1. COLD START PARAMETERS.

6.3.1.32 NESTBUS **SC200/210**

Set NestBus Card No. of the SC2x0. The Controller automatically restarts when the Card No. is changed.

6.3.1.33 MODBUS-RTU **SC200/210**

Modbus-RTU setting is available for Model: SC2x0-x1-x. Restart the Controller to apply a new setting.

- Node No.
- Transfer rate
- Data bit: Fixed at 8. For reference purpose only.
- Parity: Specify the parity bit. Stop bit is set to '2' with the parity set to 'None,' set to '1' with 'Even' or 'Odd' setting.

Refer to Appx 4. MODBUS FUNCTIONS for supported functions and register assignments.

6.3.1.34 MODBUS/TCP **SC200/210**

Modbus/TCP setting is available for Model: SC2x0-x2-x. Restart the Controller to apply a new setting.

- IP address
- Subnet mask
- Port No.: Fixed at 502. For reference purpose only.
- Linger time: Communication is severed when no activity is detected for the time period.
- Mac address: No setting

Refer to Appx 4. MODBUS FUNCTIONS for supported functions and register assignments.

Note

- (1) IP address, Subnet mark: Set 0 or a space for higher digits when only one or two among three digits are set (e.g. 12 = '12' or '012')
 - (2) Default gateway: The Controller responds only to its master's queries (commands), which contains the master's address, therefore no default gateway setting is needed.
-

6.3.1.35 INITIALIZE

Initialize display setting to the factory default. Applicable parameters are indicated with X at the rightmost column of the table in Section 6.3.1.3 CONFIGURATION PARAMETERS.

6.3.1.36 CALIBRATE TOUCH PANEL

Fine calibration for the touch panel. The screen is calibrated at the factory but may need fine re-adjustment after an extended time period when touched point and target point reacting to the touch are misaligned.

6.3.1.37 LED TEST **SC110/210**

The front LEDs for MV setting value monitor during the backup mode are turned on for testing.

6.3.1.38 LANGUAGE

Choose the display language. The language setting is not changed when the initialization (Refer to: 6.3.1.35 INITIALIZE) is performed.

6.3.1.39 VERSION

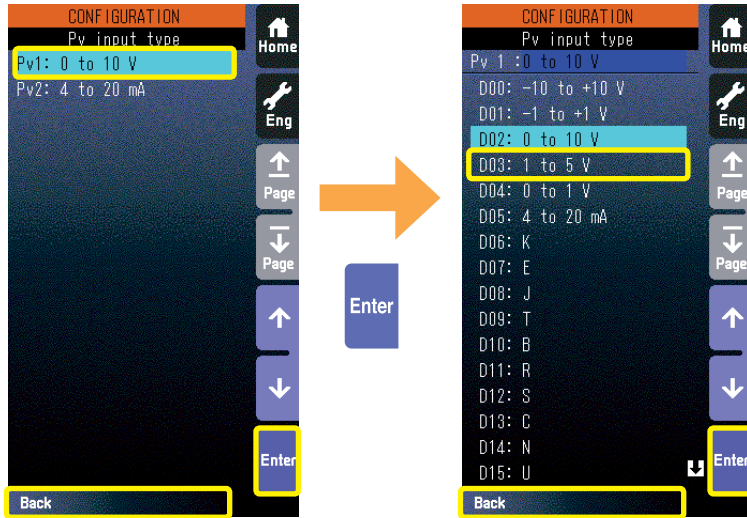
The Controller functions are divided by blocks and shared by multiple CPU. Firmware version No. of each CPU are indicated.

6.3.1.40 SETTING EXAMPLES

■ Choosing from multiple selections (e.g. changing Pv1 input type from 0-10 V to 1-5 V)

- 1) Choose “PV input type” in Configuration view menu and touch [Enter].
- 2) Choose PV input (Pv1 in this example) you want to change, and touch [Enter].
- 3) Choose input type (D03: 1 to 5 V in this example) you want to set, and touch [Enter].

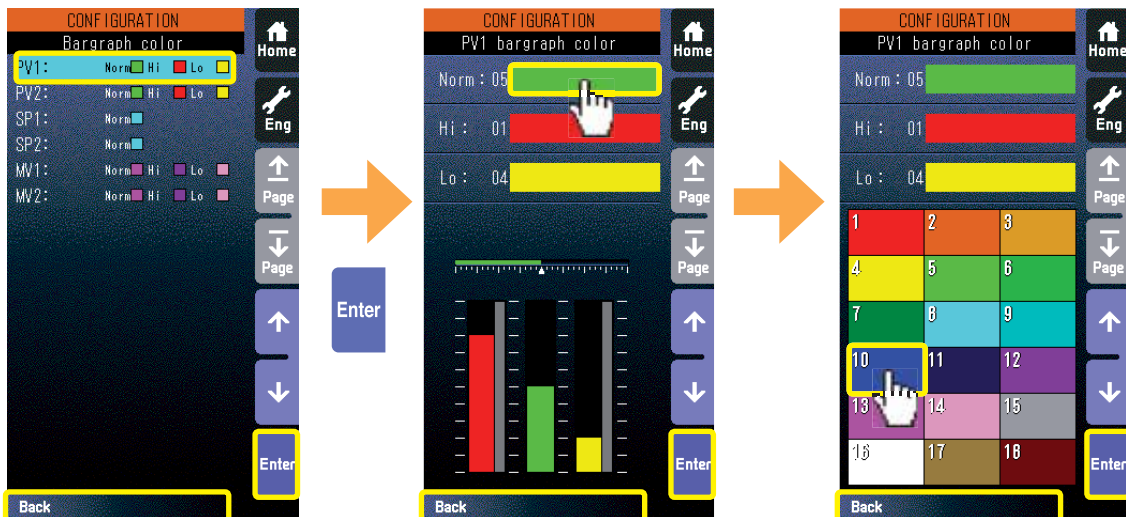
Note: Touch [Back] at the bottom to go back to previous view.



■ Choosing colors (e.g. changing Pv1 normal range bargraph color from green to blue)

- 1) Choose “Bargraph color” in Configuration view menu and touch [Enter].
- 2) Choose signal type (“PV1” in this example) you want to change, and touch [Enter].
- 3) Touch color indicator (green section to the right of “Norm” in this example) you want to change, and touch [Enter].
- 4) Color chart appears on the screen. Touch new color (blue) and touch [Enter].

Note: Touch [Back] at the bottom to go back to previous view.



■ **Entering alphanumeric characters** (e.g. changing AL1 message)

- 1) Choose "AL1-4 message" in Configuration view menu and touch [Enter].
- 2) Choose AL message (AL1 in this example) you want to change, and touch [Enter].
- 3) Enter characters you want to set, and touch [Enter].

Use [→] [←] to shift the cursor position.

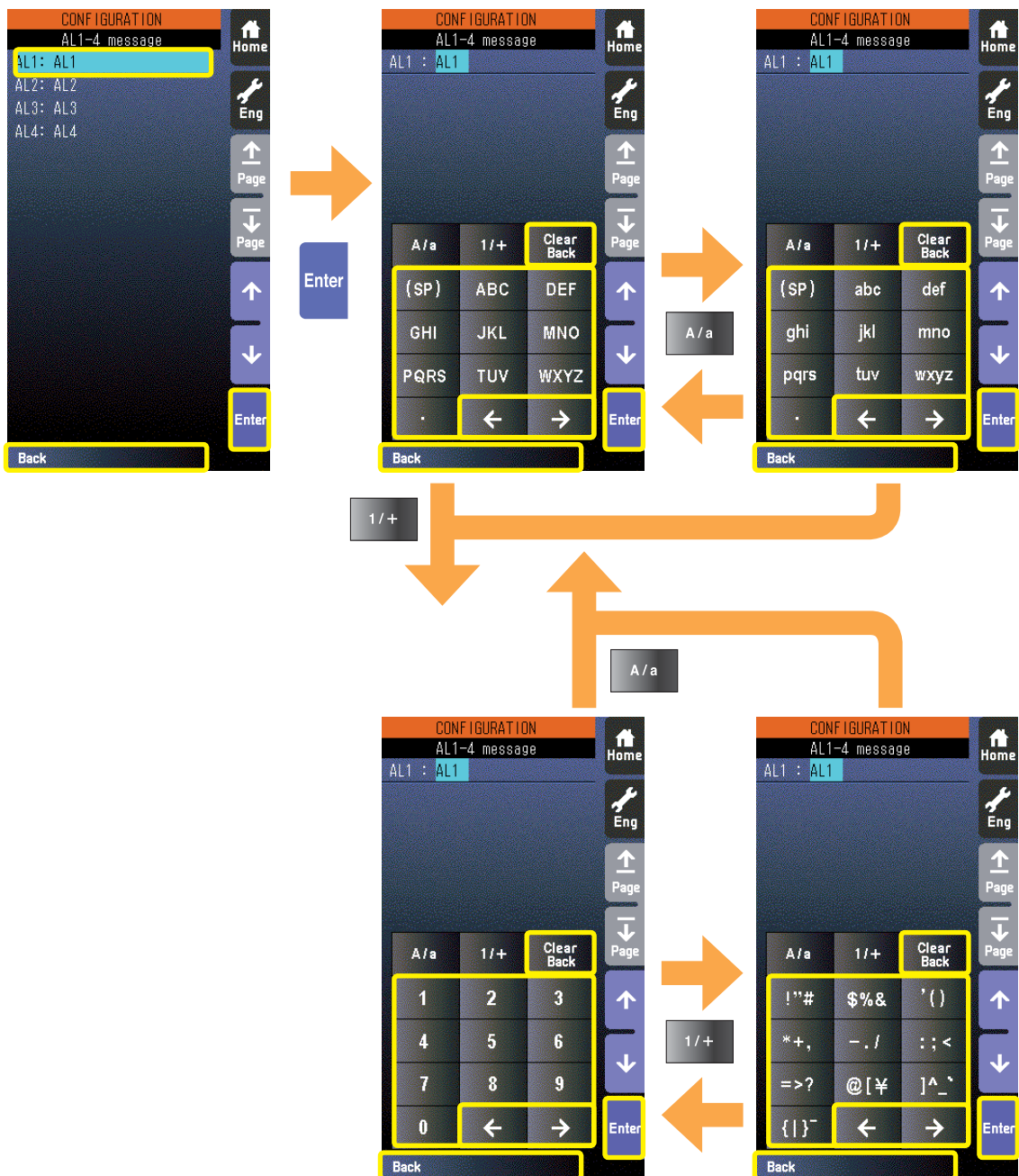
[Clear Back] deletes the character and its space at the position of the cursor.

[A/a] switches between capitals and small letters.

[1/+] switches between numeric and special characters.

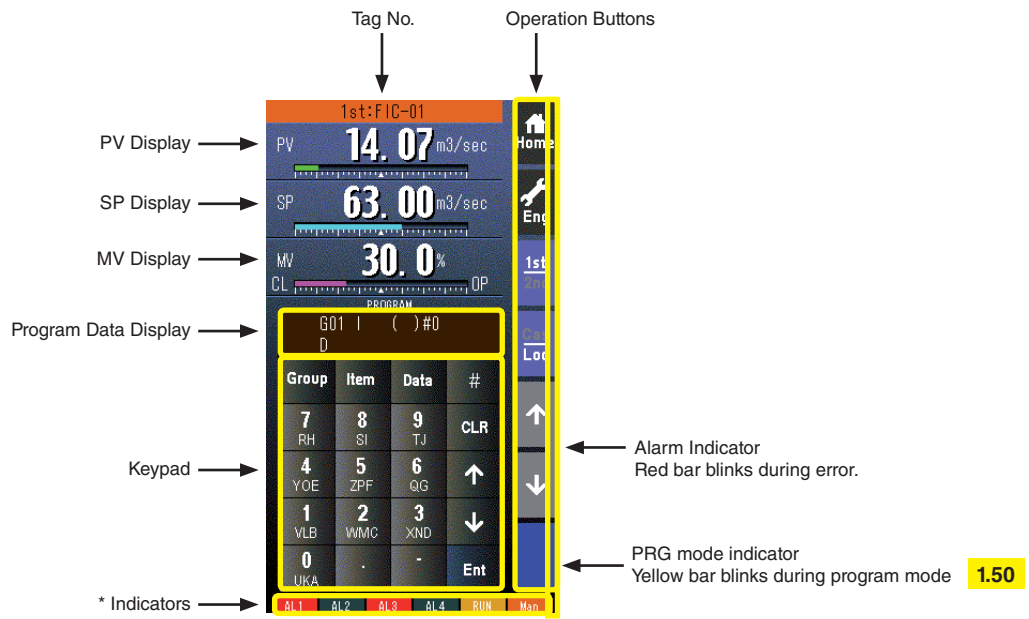
Touching one key each time switches between the characters indicated on the key (e.g. A > B > C > A).

Note: Touch [Back] at the bottom to go back to previous view.



6.3.2 PROGRAMMING VIEW

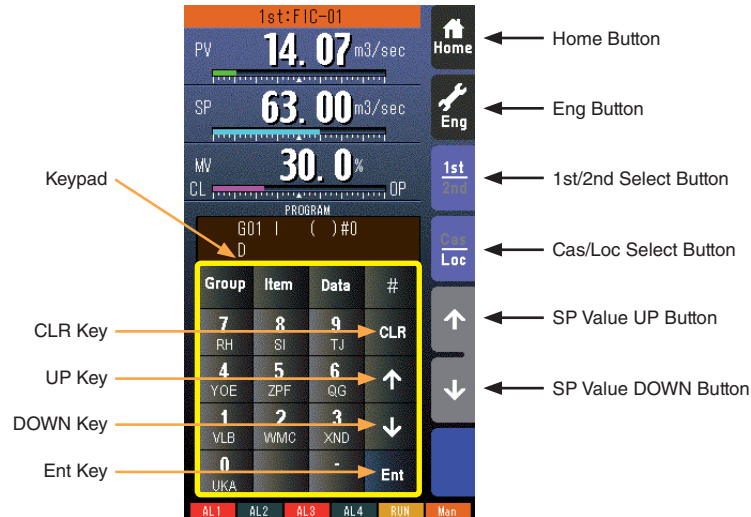
6.3.2.1 SCREEN COMPONENTS



* Indicators

INDICATOR	EXPLANATIONS
AL1 to AL4	Background color turns red during alarm.
RUN / STOP	RUN: Green in normal conditions; Amber in an abnormality. STOP: Grey when the Controller operation is stopped; Red when the memory is failed.
Auto / Man	Auto: Green Auto indicator turns on. Man: Orange Man indicator turns on. The lamp indicates the status of the loop being on the screen.

6.3.2.2 PROGRAMMING VIEW OPERATIONS



Home button

Used to switch the view to the one registered as Home operation view.

Eng button

Used to switch among the engineering views.

Pressing/holding the button for approx. 1 second switches the view to Operation view.

1st/2nd select button

Used to switch between the primary and the secondary loops. Valid only when the secondary is set.

Cas/Loc select button

Pressing/holding the button for approx. 1 second switches the control mode between cascade (Cas) and local (Loc). Valid only when 'Set mode Cas/Loc' setting under the tuning parameters is set to 'Cascade/Local.'

The button operation can be locked by SC field terminal setting. Refer to SC100/200 Series Function Block List.

SP value UP button *1

Used to increase SP value in the speed of 40 seconds per full-scale. Touching it briefly increases the value digit by digit.

The button operation can be locked by SC field terminal setting. Refer to SC100/200 Series Function Block List.

SP value DOWN button *1

Used to decrease SP value in the speed of 40 seconds per full-scale. Touching it briefly decreases the value digit by digit.

The button operation can be locked by SC field terminal setting. Refer to SC100/200 Series Function Block List.

CLR key

Used to clear the program data display.

UP key

Used to go to the previous ITEM number.

DOWN key

Used to go to the next ITEM number.

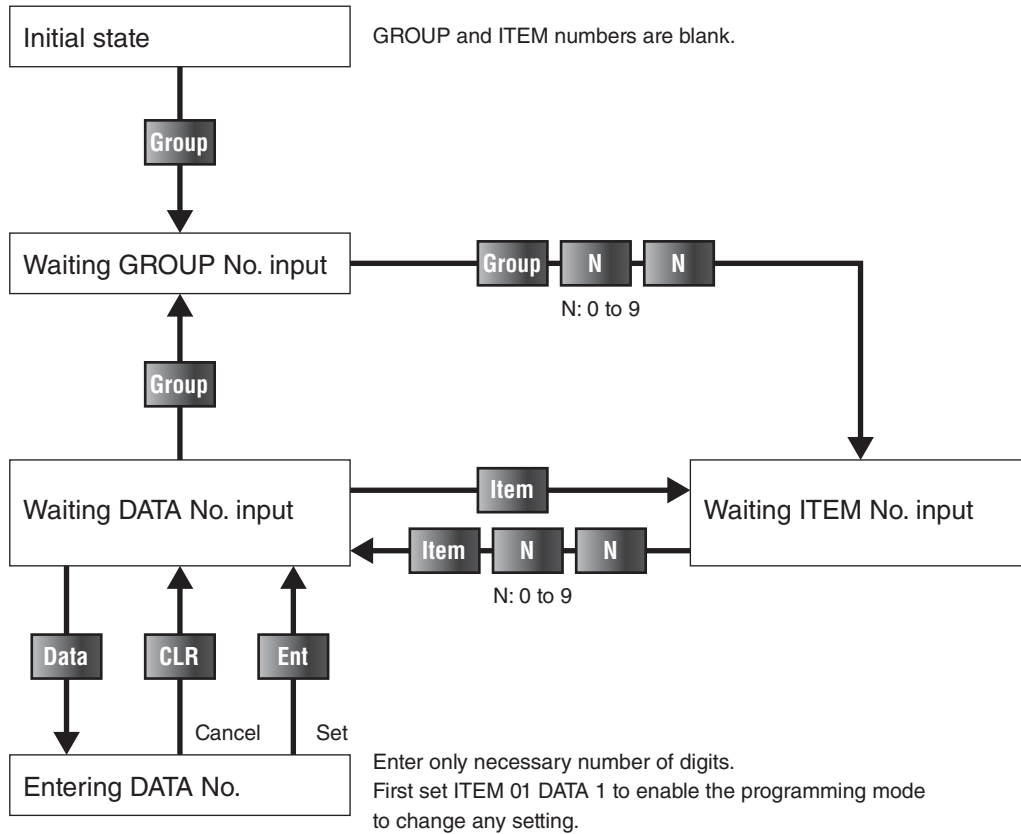
Ent key

Used to apply the data on the display.

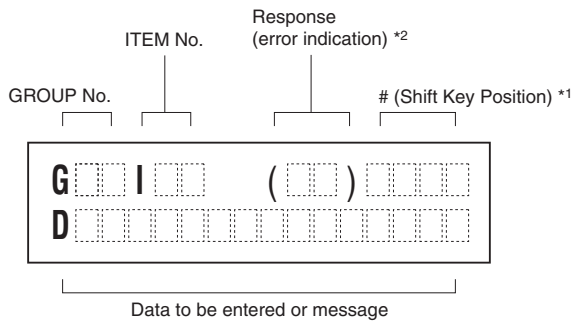
Note: Refer to Section 3.12 FRONT PANEL CONFIGURATION for MV operation details.

*1. SP buttons are locked in CAS mode.

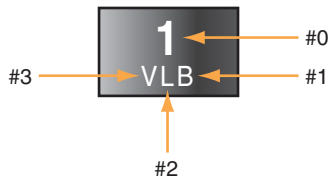
■ OPERATION FLOWCHART



■ PROGRAM DATA FIELD & KEYPAD



[Example]

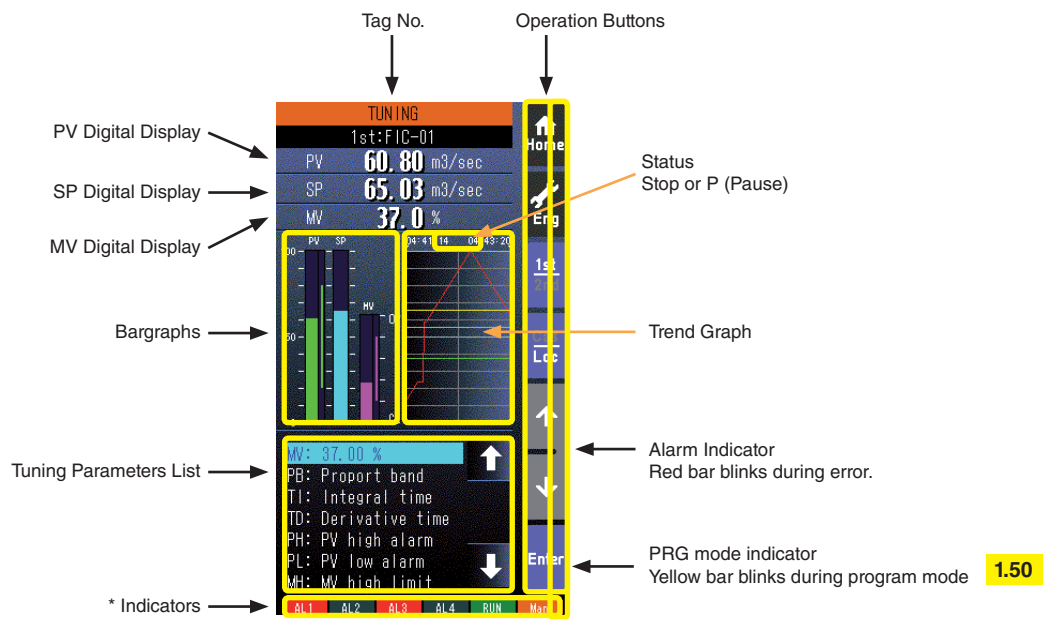


*1. [#] key is used to enter alphabets.
Shift key position indication switches in order of #1, #2, #3, #0 ... every time the key is pressed. Level #0 is for entering numeric, and levels #1 to #3 indicate the position of alphabets (below the numeric) from the right to left.

*2. Response message after format check
OK : OK
NG : No good
ER : Communication error
OE : Operation procedure error
DE : Data syntax error
VE : Non-registered input unit table (not initialized)
WE : Input unit table writing error

6.3.3 TUNING (AUTO-TUNING) VIEW

6.3.3.1 SCREEN COMPONENTS

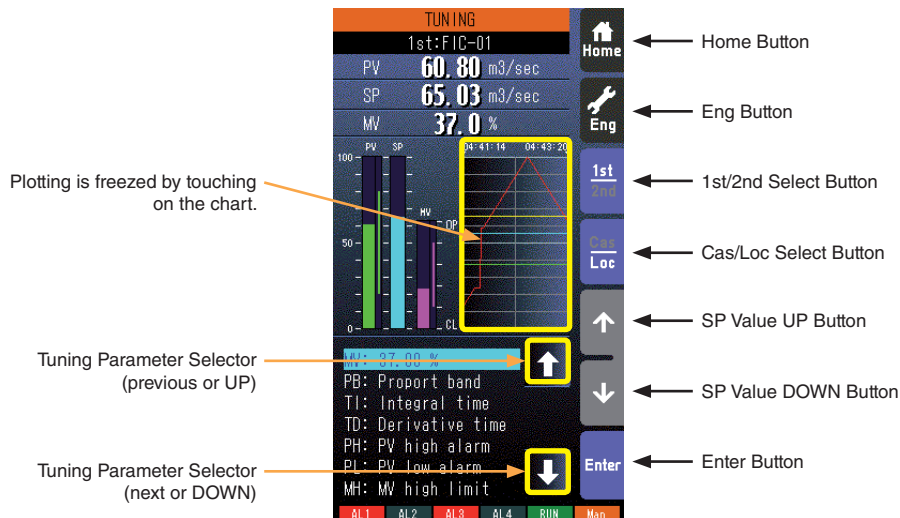


- 100 sample data is plotted on the trend graph.
- The trend graph is reset (cleared) and restarted when:
 - When the power supply is turned on with 'Trend recording' set to 'Start.'
 - When 'Trend recording' setting is changed from 'Stop' to 'Start.'
 - When 'Storing interval' setting is changed.
 - When 'Trend channel' setting is changed.
 - When setting is initialized. (Refer to: 6.3.1.35 INITIALIZE)

* Indicators

INDICATOR	EXPLANATIONS
AL1 to AL4	Background color turns red during alarm.
RUN / STOP	RUN: Green in normal conditions; Amber in an abnormality. STOP: Grey when the Controller operation is stopped; Red when the memory is failed.
Auto / Man	Auto: Green Auto indicator turns on. Man: Orange Man indicator turns on. The lamp indicates the status of the loop being on the screen.

6.3.3.2 TUNING VIEW OPERATIONS



- This view is available when the relevant control loop uses basic PID or advanced PID control.
- Specific tuning parameters can be selected not only by UP/DOWN buttons but also by directly touching them.

Home button

Used to switch the view to the one registered as Home operating view.

Eng button

Used to switch among the engineering views.

Pressing/holding the button for approx. 1 second switches the view to Operating view.

1st/2nd selector

Used to switch between the primary and the secondary loops. Valid only when the secondary is set.

Cas/Loc selector

Pressing/holding the button for approx. 1 second switches the control mode between cascade (Cas) and local (Loc). Valid only when 'Set mode Cas/Loc' setting under the tuning parameters is set to 'Cascade/Local.'

The button operation can be locked by SC field terminal setting. Refer to SC100/200 Series Function Block List.

SP value UP button *1

Used to increase SP value in the speed on 40 seconds per full-scale. Touching it briefly increases the value digit by digit.

The button operation can be locked by SC field terminal setting. Refer to SC100/200 Series Function Block List.

SP value DOWN button *1

Used to decrease SP value in the speed on 40 seconds per full-scale. Touching it briefly decreases the value digit by digit.

The button operation can be locked by SC field terminal setting. Refer to SC100/200 Series Function Block List.

Enter button

Used select and go to parameter setting of the selector parameter.

Tuning parameter selector (previous or UP)

Used to move up the cursor to choose tuning parameters.

Tuning parameter selector (next or DOWN)

Used to move down the cursor to choose tuning parameters.

*1. SP buttons are locked in CAS mode.

6.3.3.3 TUNING PARAMETERS

ABBR	SELECTABLE RANGE	CONTENTS	Basic PID	Advanced PID	MV Control	Ratio Setting	Indicator
SP	-15.00 to 115.00%	Setpoint value (Local mode)	X	X	----	X ±32.000	----
MV	±115.00%	Manipulated value (Man mode)	X	X	X	X	----
PB	0 to 1000%	Proportional band	X	X	----	----	----
TI	0.00 to 100.00 min.	Integral time (0: No integral)	X	X	----	----	----
TD	0.00 to 10.00 min.	Derivative time (0: No derivative)	X	X	----	----	----
PH	-15.00 to 115.00%	PV alarm high limit	X	X	----	X	X
PL	-15.00 to 115.00%	PV alarm low limit	X	X	----	X	X
MH	±115.00%	MV high limit	X	X	----	----	----
ML	±115.00%	MV low limit	X	X	----	----	----
DL	0.00 to 115.00%	Deviation alarm setpoint	X	X	----	----	----
SM	Local, Cascade/Local	Setting mode	X	X	----	X	----
DR	Direct, Reverse	Control direction	X	X	----	----	----
DM	PV derivative, Deviation deriv	Derivative type	X	X	----	----	----
MD	Direct, Reverse	MV control direction display	X	X	X	X	----
TG	10 characters	Tag No. (Tag name)	X	X	X	X	X
MH	±32000	Upper range in engineering unit	X	X	----	X	X
ML	±32000	Lower range in engineering unit	X	X	----	X	X
DP	0, 1, 2, 3, 4, 5	Decimal point position (number of decimal places)	X	X	----	X	X
TU	8 characters	Unit	X	X	----	X	X
AT		To Auto-tuning view	X	X	----	----	----

Note 1. SM: Ai signal can be used as SP when Cascade/Local mode is selected.

Note 2. All parameters except AT are locked during the SFEW communication mode.

Note 3. For more details, refer to SC100/200 Series Function Block List.

6.3.3.4 AUTO-TUNING PARAMETERS

ABBR	SELECTABLE RANGE	CONTENTS	REMARKS
SP	-15.00 to 115.00%	Setpoint value	Local mode only.
CV	-15.00 to 115.00%	Tuning point	Default value: 50%
P1	-15.00 to 115.00%	PV high limit	Auto-tuning is cancelled when PV is over the high limit or below the low limit.
P2	-15.00 to 115.00%	PV low limit	
M1	±115.00%	MV high limit	MV changes in steps within MV high/low limits.
M2	±115.00%	MV low limit	
MI	±115.00%	Fixed MV at error	MV is fixed at this value at error.
TO	1 to 3200 minutes	Time out period	
CM	Setpoint change, Process change	Optimization	
CA	PID, PI	Control action	
TU		To Tuning view	
AT		Start auto-tuning	

Note 1. SP or AT is locked during the SFEW communication mode.

Note 2. Refer to Section 9. AUTO-TUNING for detailed explanations on each parameter.

Note

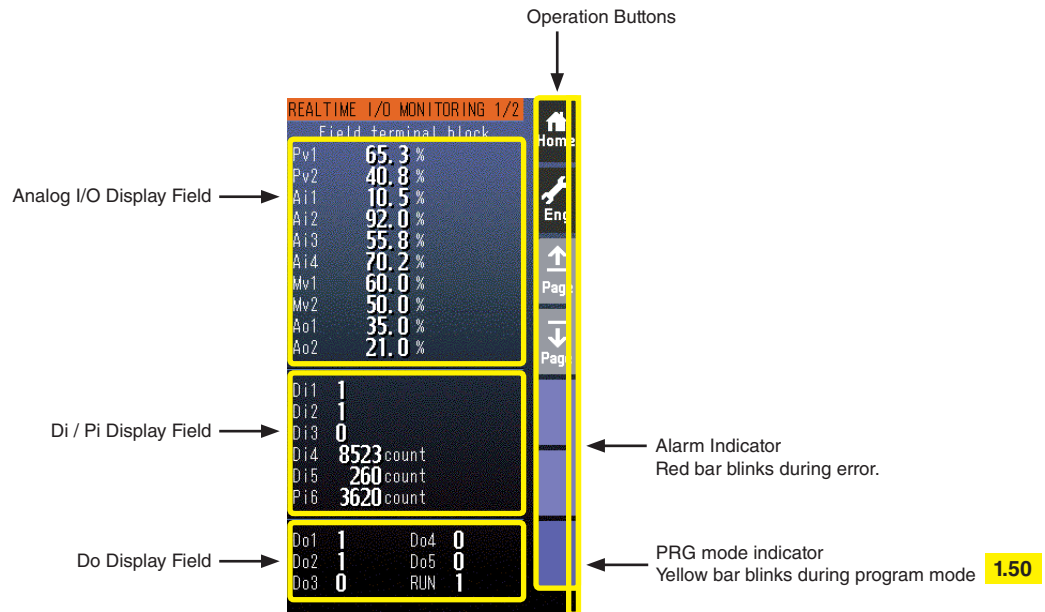
Rounding of fractions for engineering unit is rounding down.

Example) When engineering unit range is 0.00 to 30.00 kg and input value is 49.96 %, 14.988 is obtained by converting to engineering unit. 14.98 is displayed by rounding down.

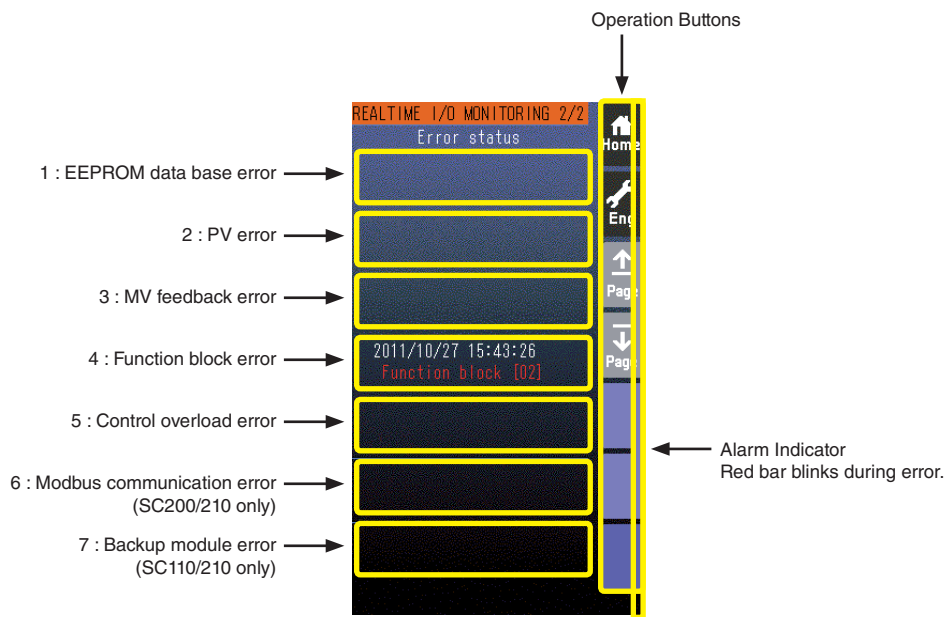
6.3.4 REALTIME I/O MONITORING VIEW

6.3.4.1 SCREEN COMPONENTS

Page 1/2: Field Terminal Block



- Analog I/O values are represented in % of the field terminal block range.
- DiX and PiX display items depend upon the user's terminal assignments.
- Di / Do status is given as 1 or 0.
- Pi displays indicate accumulated counts between 0 and 9999 (unit: count).



- Error status fields contain the error type and the date it occurred (YYYY/MM/DD HH/MM/SS). (See the example below.)

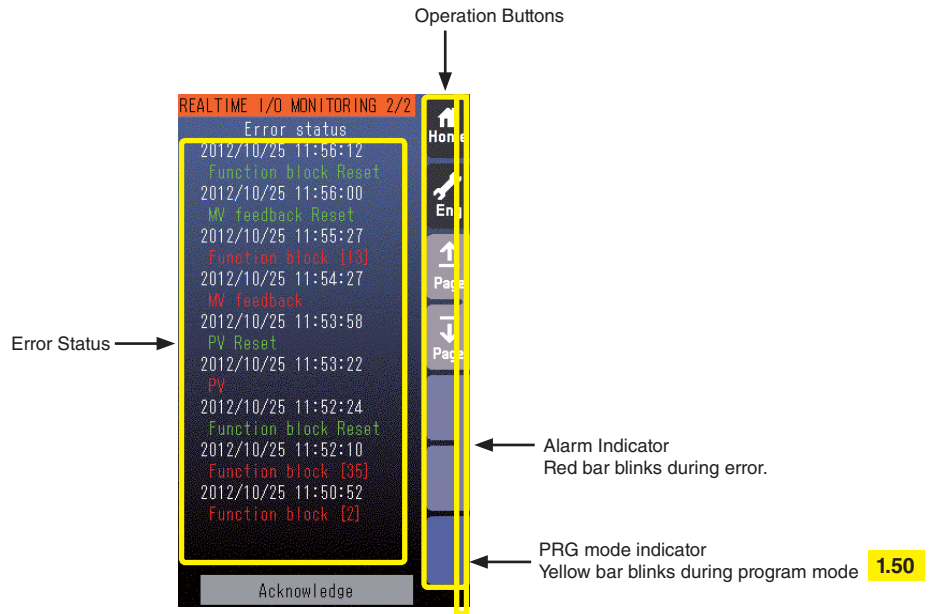


- When more than one error among the errors 1 through 5 has occurred, the only most critical error is displayed. Priority is given as in the table below.

ERROR No.	MESSAGE	PRIORITY	REMARK
1	EEPROM database	HIGH	
2	PV		
3	MV feedback	↕	
4	Function block		
5	Control overload	LOW	
6	Modbus communication	----	SC200/210 only
7	Backup module	----	SC110/210 only

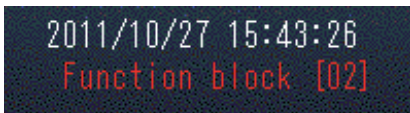
For example, only the error 2 is displayed while both the error 2 and 3 are true. Then the error 3 is displayed after the error 2 is cancelled.

- One of the errors 1 through 5 plus the error 6 and/or 7 can be displayed at once.
- Refer also to Appx 5. DIGITAL DISPLAY ERROR MESSAGES.



- Error status fields contain the error type in red and the date it occurred (YYYY/MM/DD HH/MM/SS). (See the example below.)

For abnormal function block and corruption of EEPROM database, also group number is displayed.



- When error is recovered, the date it is recovered (YYYY/MM/DD) and a message in green are displayed.

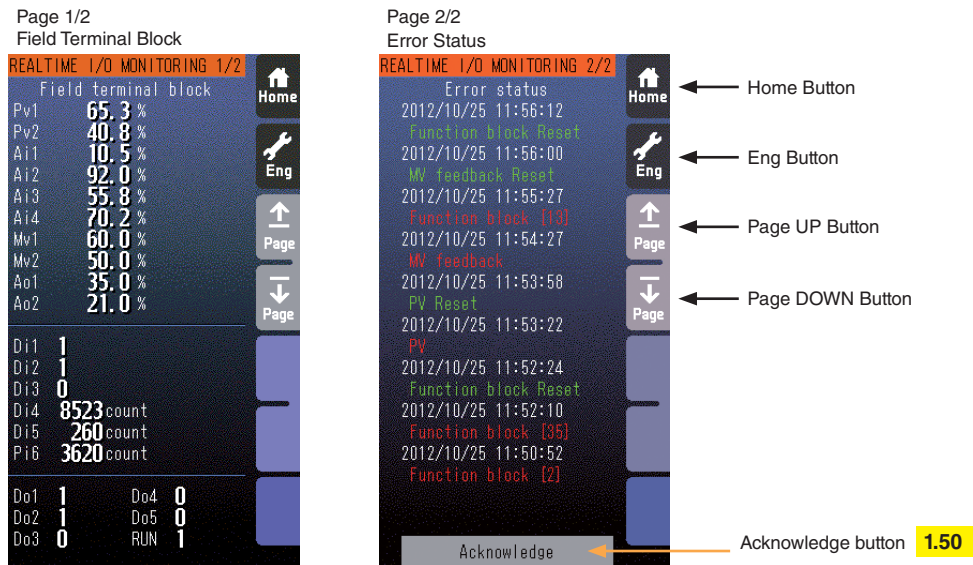


- At the maximum of 10 error statuses are displayed. When they exceed 10, oldest one is deleted. Error type is given as in the table below.

ERROR No.	MESSAGE	REMARK
1	EEPROM database	
2	PV	
3	MV feedback	
4	Function block	
5	Control overload	
6	Modbus communication	SC200/210 only
7	Backup module	SC110/210 only

- Error status is detected when the power supply is reset.
- Refer also to App 5. DIGITAL DISPLAY ERROR MESSAGES.

6.3.4.2 REALTIME I/O MONITORING VIEW OPERATIONS



Home button

Used to switch the view to the one registered as Home operation view.

Eng button

Used to switch among the engineering views.

Pressing/holding the button for approx. 1 second switches the view to Operation view.

Page UP button

Used to go to the previous page.

Page DOWN button

Used to go to the next page.

Acknowledge button **1.50**

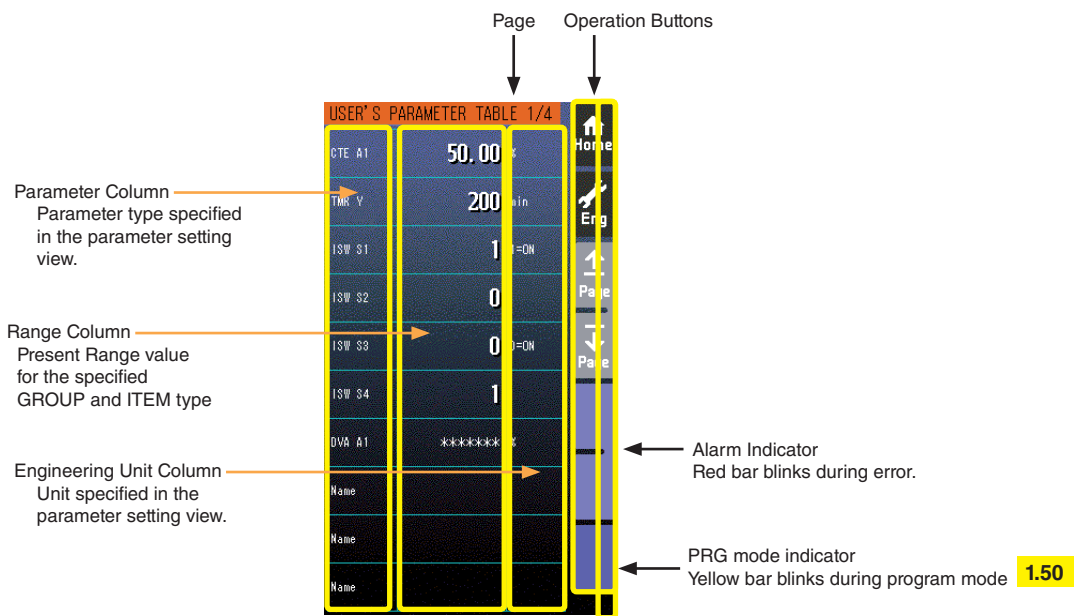
Pressing/holding the button for approx. 1 second deletes recovered error status.

Note

Only the acceleration button among the hardware buttons at the front is usable when the Realtime I/O Monitoring view is on screen. The MV value UP/DOWN buttons and the AUTO / MAN selector are locked.

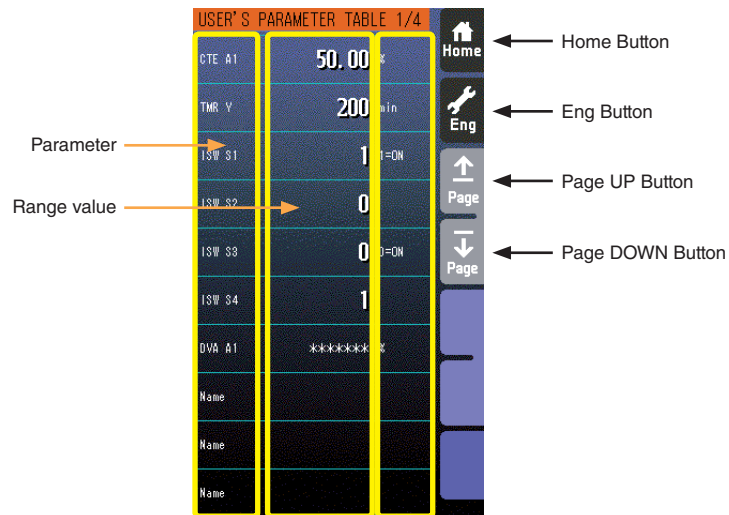
6.3.5 USER'S PARAMETER TABLE VIEW

6.3.5.1 SCREEN COMPONENTS



- At the maximum of 40 parameters (10 per page, 4 pages in total) can be registered for the user's convenience.
- Parameters are registered in the Parameter Setting View.
- Only the parameter type identification is displayed when it is disabled in the Parameter Setting view.
- '*****' is indicated in Range cell when illegal GROUP and/or ITEM No. are set for the parameter.

6.3.5.2 USER'S PARAMETER TABLE VIEW OPERATIONS



Home button

Used to switch the view to the one registered as Home operation view.

Eng button

Used to switch among the engineering views.

Pressing/holding the button for approx. 1 second switches the view to Operation view.

Page UP button

Used to go to the previous page.

Page DOWN button

Used to go to the next page.

Parameter

Touching over a parameter cell switches the view to the Parameter Setting View for the row.

Range value

Touching over a Range cell opens a numeric keypad.

The numeric keypad is not available (1) when '*****' is indicated in Range cell for which illegal GROUP and/or ITEM No. are set, or (2) when the Config. mode is set to 'SFEW.'

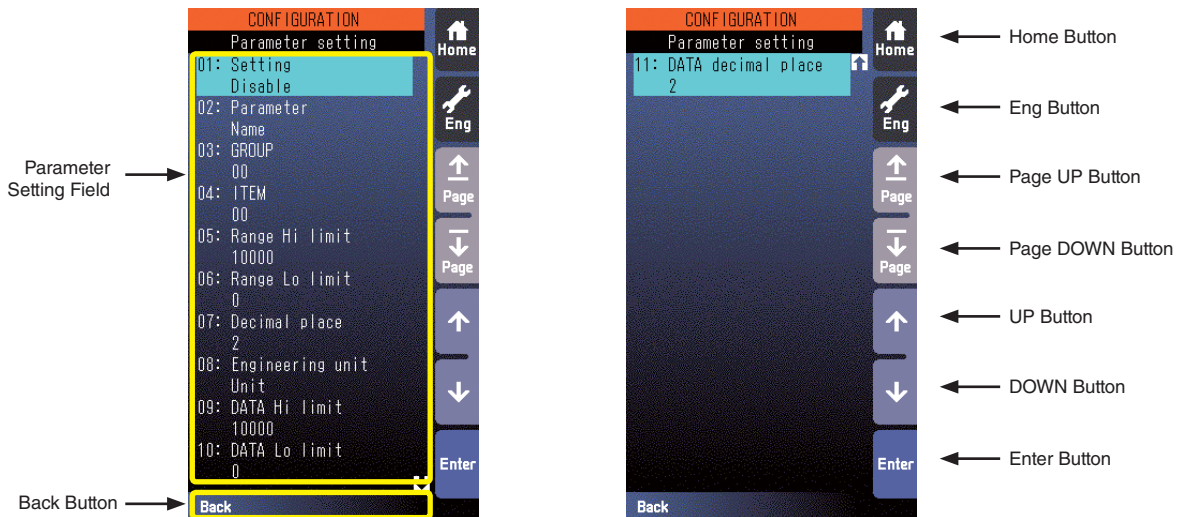
Note

Calculation errors when converting range value to internal percentage.

When 20000 and 0 is set as Range high/low limit, setting to 9999 and converting to percentage, 49.995 % is obtained, however, internally it is processed as 49.99 %. Therefore the display shows "9998".

Only the acceleration button among the hardware buttons at the front is usable when the Realtime I/O Monitoring view is on screen. The MV value UP/DOWN buttons and the AUTO / MAN selector are locked.

6.3.5.3 PARAMETER SETTING VIEW OPERATIONS



Home button

Used to switch the view to the one registered as Home operation view.

Pressing/holding the button for approx. 1 second registers the view as Home view (including the 1st/2nd choice).

Eng Button

Pressing/holding the button for approx. 1 second switches the view to Engineering view.

Once the view is switched, it is used to switch among the engineering views.

Page UP button

Locked

Page DOWN button

Locked

UP button

Used to go up to next item in the parameter setting field.

DOWN button

Used to go down to next item in the parameter setting field.

Enter button

Used to select an item to change its value.

Back button

Used to go back to User's Parameter Table view.

Parameter Setting Field

Shows Parameter setting items. Refer to 6.3.5.4 SETTING ITEMS for detail.

6.3.5.4 SETTING ITEMS

ITEMS marked with ◆ in the SC100/200 Series Function Block List are available for changes. All parameters are reset to the default values by the initialization in the Configuration view.

SETTING ITEM	DATA INPUT	DEFAULT	CONTENTS
Setting	Enable / Disable	Disable	Enable / Disable the parameter in the User's Parameter Table view.
Parameter	Max. 10 characters	Name	Parameter identification
GROUP *1	0 to 99	0	GROUP No. in the Function Block List
ITEM *1	0 to 99	0	ITEM No. in the Function Block List
Range Hi limit 1.50	±32000	10000	Range's upper range value
Range Lo limit 1.50	±32000	0	Range's lower range value
Decimal place 1.50	0 to 5	2	Range's decimal point position
Engineering unit	Max. 8 characters	Unit	Range's engineering unit
DATA Hi limit	±32000	10000	DATA's upper range value
DATA Lo limit	±32000	0	DATA's lower range value
DATA decimal place	0 to 5	2	DATA's decimal point position

*1. '*****' is indicated in DATA cell when illegal GROUP and/or ITEM No. are set for the parameter.

6.3.5.5 SETTING EXAMPLES

■ Parameters with fractions

- Setting Ao 1 parameter (ITEM 11) for '8-point Parameter Generator' block (Model No. 86).
- 0.0 kg : 0.00 %, 20.0 kg : 100.00 %

Function Block List

GROUP [30]

ITEM	MDFY	DATA INPUT	DISPLAY (e.g.)	CONTENTS
◆★11	▲	±115.00%	21: NNN.NN	Ao 1 Parameter

Parameter Setting

SETTING ITEM	DATA INPUT
Setting	Enable
Parameter	CTE A1
GROUP	30
ITEM	11
Range Hi limit	200
Range Lo limit	0
Decimal place	1
Engineering unit	kg
DATA Hi limit	10000
DATA Lo limit	0
DATA decimal place	2

■ Parameters in 0/1 (contact status) format

- Setting S1 internal switch (ITEM 11) for 'Internal Switch' block (Model No. 93).

Function Block List

GROUP [32]

ITEM	MDFY	DATA INPUT	DISPLAY (e.g.)	CONTENTS
◆★11	▲	0, 1	01: N	S1 Internal switch

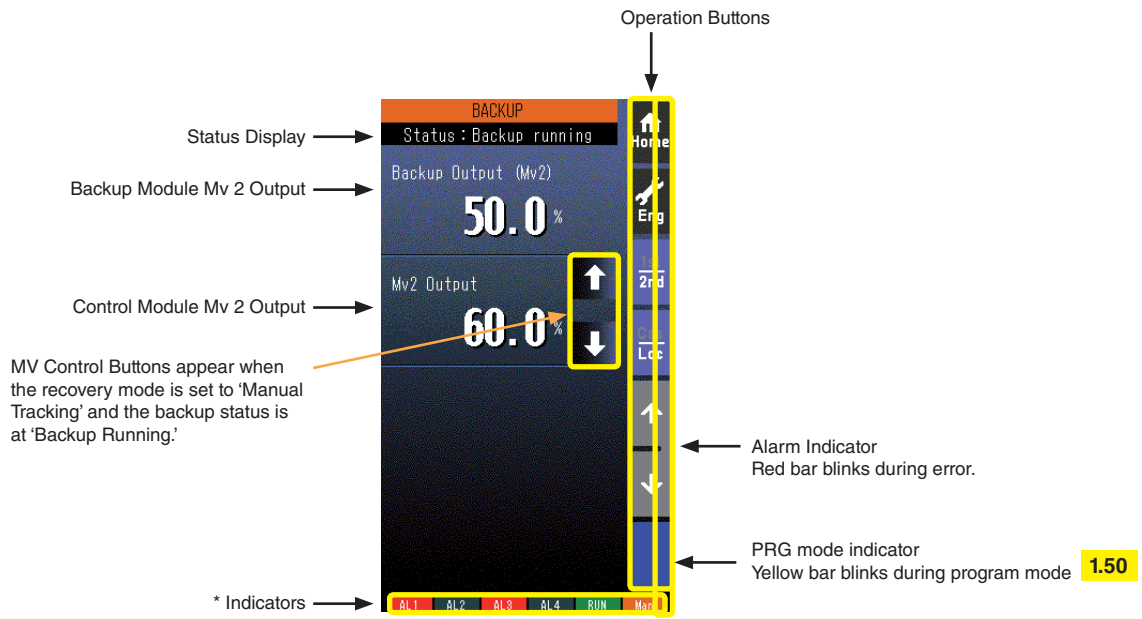
Parameter Setting

SETTING ITEM	DATA INPUT
Setting	Enable
Parameter	ISW S1
GROUP	32
ITEM	11
Range Hi limit	1
Range Lo limit	0
Decimal place	0
Engineering unit	1=ON
DATA Hi limit	1
DATA Lo limit	0
DATA decimal place	0

In the above example, DATA engineering unit field is used for a note.

6.3.6 BACKUP VIEW **SC110/210**

6.3.6.1 SCREEN COMPONENTS

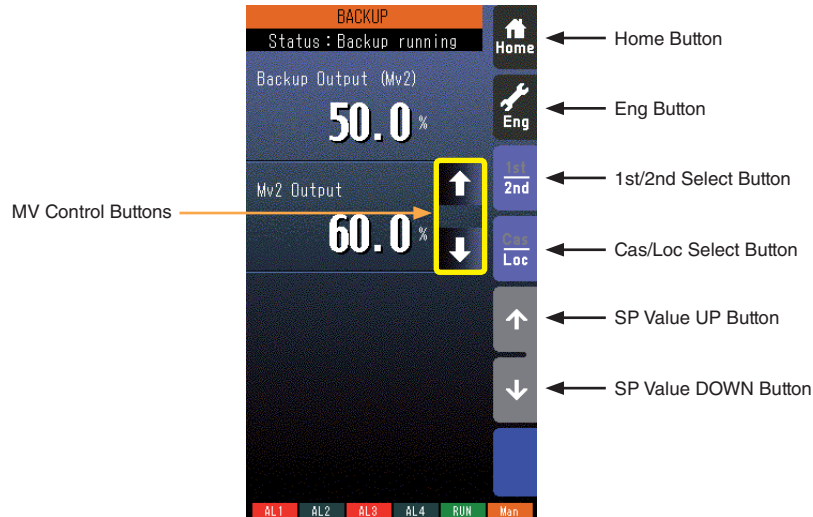


- Status display shows either of the following: Normal / Standby backup / Backup running / Backup error.
- Mv 2 is represented in percentage with one decimal place.

* Indicators

INDICATOR	EXPLANATIONS
AL1 to AL4	Background color turns red during alarm.
RUN / STOP	RUN: Green in normal conditions; Amber in an abnormality. STOP: Grey when the Controller operation is stopped; Red when the memory is failed.
Auto / Man	Auto: Green Auto indicator turns on. Man: Orange Man indicator turns on. The lamp indicates the status of the loop being on the screen.

6.3.6.2 BACKUP VIEW OPERATIONS



Home button

Used to switch the view to the one registered as Home operating view.

Eng button

Used to switch among the engineering views.

Pressing/holding the button for approx. 1 second switches the view to Operating view.

1st/2nd selector

Used to switch between the primary and the secondary loops. Valid only when the secondary is set.

Cas/Loc selector

Pressing/holding the button for approx. 1 second switches the control mode between cascade (Cas) and local (Loc). Valid only when 'Set mode Cas/Loc' setting under the tuning parameters is set to 'Cascade/Local.'

The button operation can be locked by SC field terminal setting. Refer to SC100/200 Series Function Block List.

SP value UP button *1

Used to increase SP value in the speed on 40 seconds per full-scale. Touching it briefly increases the value digit by digit.

The button operation can be locked by SC field terminal setting. Refer to SC100/200 Series Function Block List.

SP value DOWN button *1

Used to decrease SP value in the speed on 40 seconds per full-scale. Touching it briefly decreases the value digit by digit.

The button operation can be locked by SC field terminal setting. Refer to SC100/200 Series Function Block List.

MV Control Buttons

These buttons appear when the recovery mode is set to 'manual tracking' and the backup status is at 'Backup Running.'

Used to control the MV signal of the PID Control Function Block. (Refer to: 11.2.3 BACKUP RECOVERY MODE (AUTO/MANUAL TRACKING))

*1. SP buttons are locked in CAS mode.

7. FUNCTION BLOCK SETTING

The Controller functions are programmable combining various function blocks.

Although most basic functions of PID control are already set at the factory, the Controller can provide advanced functions by configuring internal function blocks with Loop Configuration Builder software (model: SFEW3E).

Function blocks are common to all devices in M-System's MsysNet system.

7.1 GENERAL DESCRIPTION

- **Only One Software for All Devices**

Every module in the MsysNet system utilizes one common software, except for the Field Terminal specifically used for each of them. If you learn how to configure one module, you will understand all others.

- **No Computer Language: Software Function Blocks**

The MsysNet system does not use any specialized computer language, but the "Software Function Blocks". It incorporates programming concepts for PID controllers, computation modules or PLCs which are familiar to users.

- **User-Friendly Parameter Setting Software**

Loop Configuration Builder software for the SC100/200 Series (model: SFEW3E) is available. With the builder software, you can build configuration files, copy them, save them, and print them.

7.2 FIELD INPUT SETTING

In this section, configuration items related to external connection of the Controller are explained.

7.2.1 PROCESS & ANALOG INPUT SETTING

For process input (Pv 1, Pv 2), choose among 26 input types. Be aware that the terminal connection differs depending upon input types. The factory default setting is “3: 1 to 5 V”.

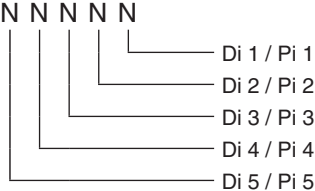
GROUP [04] EXTENSION TERMINAL 1 “▲” marked data modifiable in PROGRAM mode.

ITEM	MDFY	DATA INPUT	DEFAULT SETTING	CONTENTS
36	▲	MM	TP1: 3	Pv 1 input type [MM: input type No.] 0: -10-10 V 6: K 12: S 19: Pt100 (JIS '97, IEC) 1: -1-1 V 7: E 13: C 20: Pt100 (JIS '89) 2: 0-10 V 8: J 14: N 21: JPt100 (JIS '89) 3: 1-5 V 9: T 15: U 22: Pt50 (JIS '81) 4: 0-1 V 10: B 16: L 23: Ni100 5: 4-20 mA 11: R 17: P 24: MS 18: PR 25: DS (Set ITEM37...39 for Pv 1 input type 6...23)
37	▲	-272.0 – 3000.0	HT1: 1000	Pv 1 upper range temperature
38	▲	-272.0 – 3000.0	LT1: .0	Pv 1 lower range temperature
39	▲	0, 1	CJ1: 1	Pv 1 cold junction compensation (0: Without, 1: With)
40	▲	MM	TP2: 3	Pv 2 input type [MM: input type No.] 0: -10-10 V 6: K 12: S 19: Pt100 (JIS '97, IEC) 1: -1-1 V 7: E 13: C 20: Pt100 (JIS '89) 2: 0-10 V 8: J 14: N 21: JPt100 (JIS '89) 3: 1-5 V 9: T 15: U 22: Pt50 (JIS '81) 4: 0-1 V 10: B 16: L 23: Ni100 5: 4-20 mA 11: R 17: P 24: MS 18: PR 25: DS (Set ITEM41...43 for Pv 1 input type 6...23)
41	▲	-272.0 – 3000.0	HT2: 1000	Pv 2 upper range temperature
42	▲	-272.0 – 3000.0	LT2: .0	Pv 2 lower range temperature
43	▲	0, 1	CJ2: 1	Pv 2 cold junction compensation (0: Without, 1: With)

7.2.2 DISCRETE & PULSE INPUT SETTING

Discrete inputs (Di) and pulse inputs (Pi) share the same terminal. Channels set to '0' function as discrete input; those set to '1' function as pulse input. The factory default setting is '00000', all channels are assigned as discrete input.

GROUP [05] EXTENSION TERMINAL 2 “▲” marked data modifiable in PROGRAM mode.

ITEM	MDFY	DATA INPUT	DEFAULT SETTING	CONTENTS
31	▲	NNNNN	PD:00000	Di/Pi selection (0 = Di, 1 = Pi) N N N N N 
52	▲	N	PD6: 1	Di/Pi selection (0 = Di, 1 = Pi)

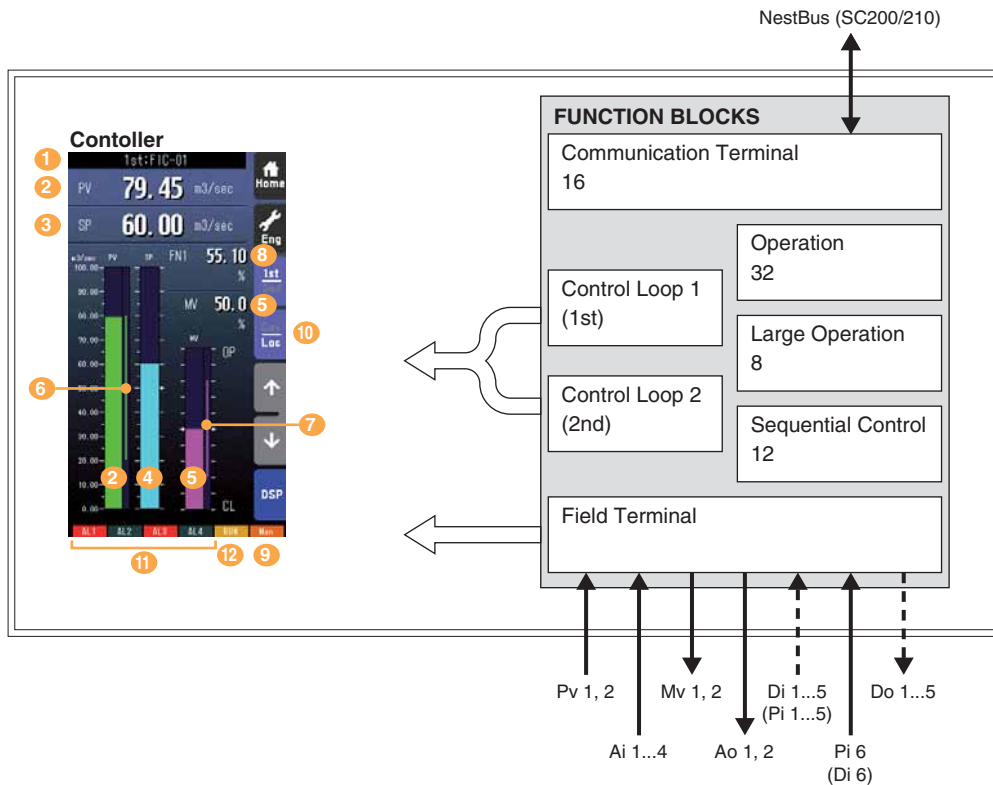
Caution !

When a channel is set to pulse input, ladder sequences employing the channel as discrete input do not function.

7.3 FUNCTION BLOCKS IN RELATION WITH SCREEN CONFIGURATION

The figure below shows an image explaining relations of the Controller display screen with function blocks and external I/Os.

- Operating status of two function blocks assigned to Control Blocks are monitored on the screen.
- Five types of Control Block are available: Basic PID, Advanced PID, Manual Loader, Ratio Setter and Indicator.
- The Gr No. for the Control Block assigned to the primary (1st) loop is set in GROUP 01, ITEM 11.
- Displayed items differ depending upon the types of Control Block. The table below shows display items for each type of Control Block.
- RUN and other indicators automatically show present conditions.
- Users can set any characters to AL1 through AL4 indicators and control their ON and OFF functions.



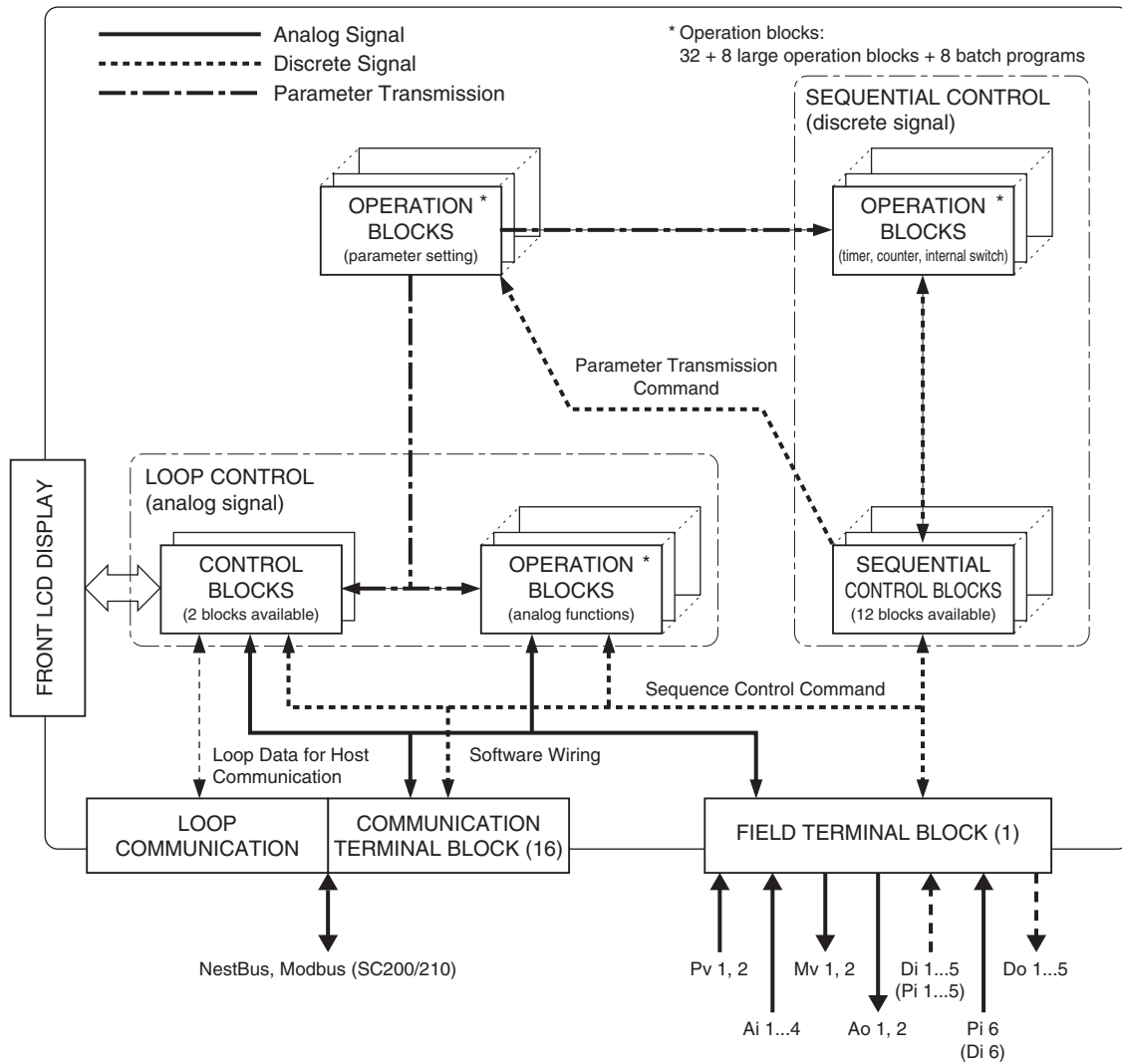
Note: The Gr No. for the Control Block assigned to the primary (1st) loop is set in GROUP 01, ITEM 11. Reset the Controller whenever ITEM 11 has been changed.

DISPLAY CONTENTS DEPENDING ON CONTROL BLOCK TYPES

NO.	DISPLAY ITEM	BASIC PID	ADVANCED PID	MANUAL LOADER	RATIO SETTER	INDICATOR
1	Tag. No.	X	X	X	X	X
2	PV Display	X	X	----	X	X
3	SP Display	X	X	----	X	----
4	SP Bar Display	X	X	----	----	----
5	MV Display	X	X	X	X	----
6	PV Normal Range	X	X	----	X	X
7	MV Output Limit Range	X	X	----	----	----
8	FN Display	X	X	X	X	X
9	AUTO/MAN	X	X	----	X	----
10	C/L	X	X	----	X	----
11	AL1 – AL4 Indicator	X	X	X	X	X
12	RUN Indicator	X	X	X	X	X

7.4 RELATIONS BETWEEN FUNCTION BLOCKS

- Close connection between PID control and sequential control
- I/O point expansion via software terminal blocks
- Automatic parameters and setpoints change via “Parameter Setter” block

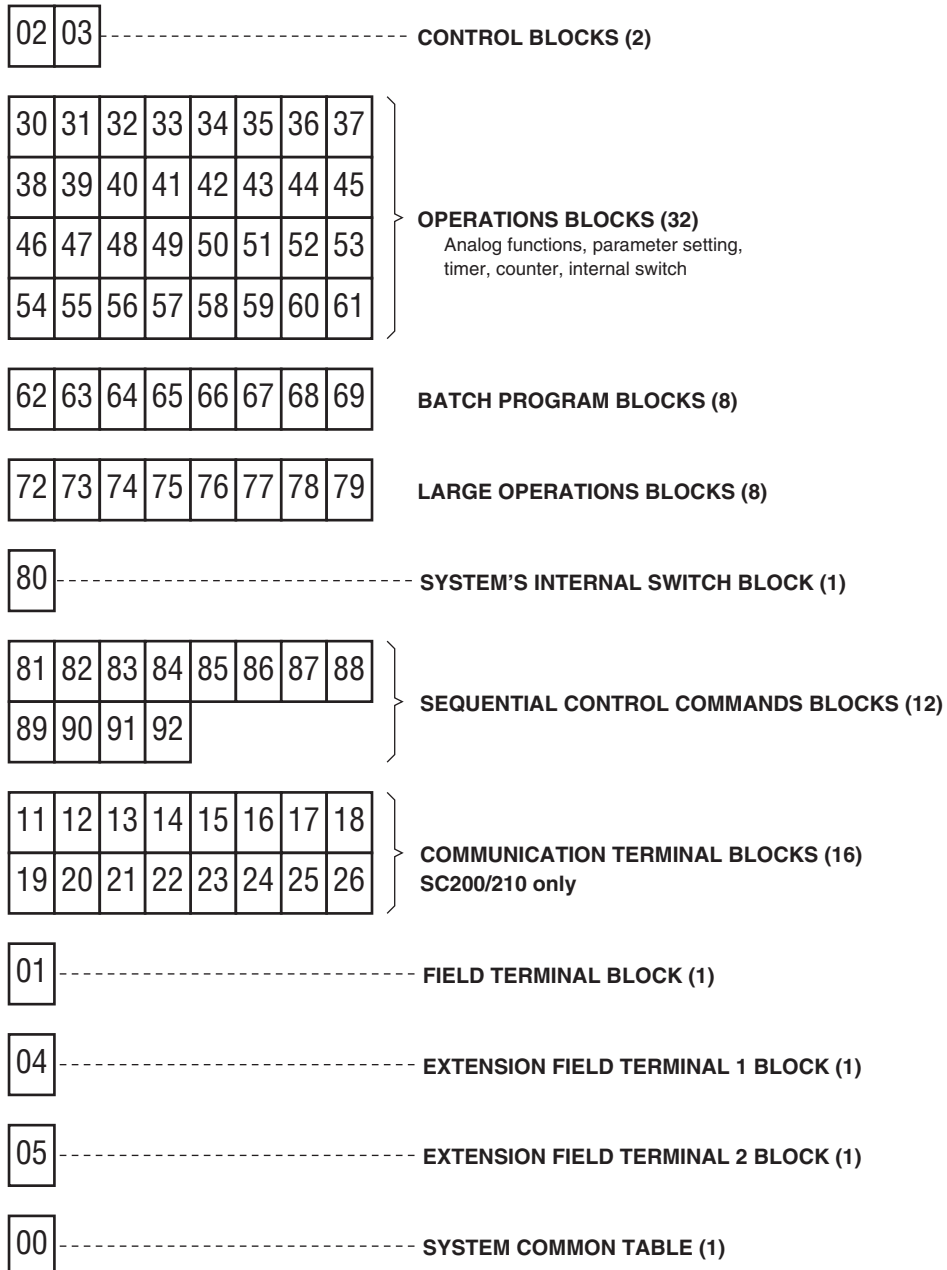


7.5 FUNCTION BLOCK ALLOCATIONS

Capability of one module of the Controller, number and type of function blocks and their allocations, would be well explained if you imagine an instrument panel.

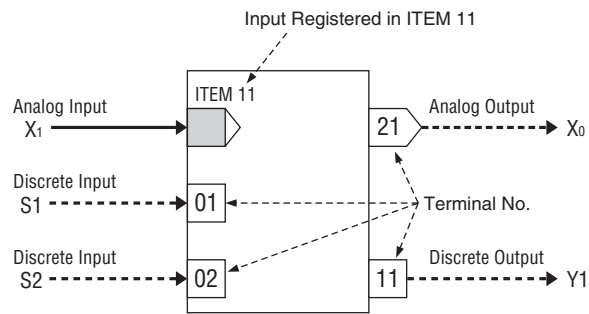
- Number of instruments mountable in one instrument panel is as shown in the figure below. A Group No. means allocation No. in the panel.
- You choose a Group No. and program a Function Block model in ITEM 10. Then all other available ITEMS will be shown according to the function model.
- For the Field Terminal block, users cannot change the model setting.

No. in each block indicates GROUP No.



7.6 CONNECTING BETWEEN FUNCTION BLOCKS

7.6.1 EXAMPLE OF CONNECTION TERMINALS REPRESENTATION IN A FUNCTION BLOCK



7.6.2 CONNECTING ANALOG SIGNALS

- Input signal: Group No. and Terminal No. of the signal you need to input (GGNN) is described in a designated ITEM of the target function block.
- Output signal: Output terminal No. is determined for each function block type.

[Example]

If Basic PID block needs to input PV signal from Field Terminal block, the terminal No. of PV signal is represented as 0421 (04: Group No., 21: Terminal No.). Then you write 0421 in ITEM 15 in the PID block.

7.6.3 CONNECTING DISCRETE SIGNALS

Discrete I/O terminals are available in function blocks. You can process these I/O signals via relay logic programs in Sequential Control Program block or via Contact Distributor block.

Relay Logic Program

- Discrete input: Discrete input terminal No. is allocated to a coil in relay logic program. It can be input also as discrete signal of the relay logic.
- Discrete output: Discrete output terminal No. pre-determined for each function block type is input as discrete signal of the relay logic.

Contact Distributor

A discrete contact input is connected to a discrete contact output just like analog signals. Combination of terminals for discrete input and output is registered in the Contact Distributor block.

7.6.4 PARAMETER SETTER

Various parameters and their output connection terminals (location of the parameter) are preset in Parameter Setter function block and sent when necessary via a trigger signal from Sequential Control Program block.

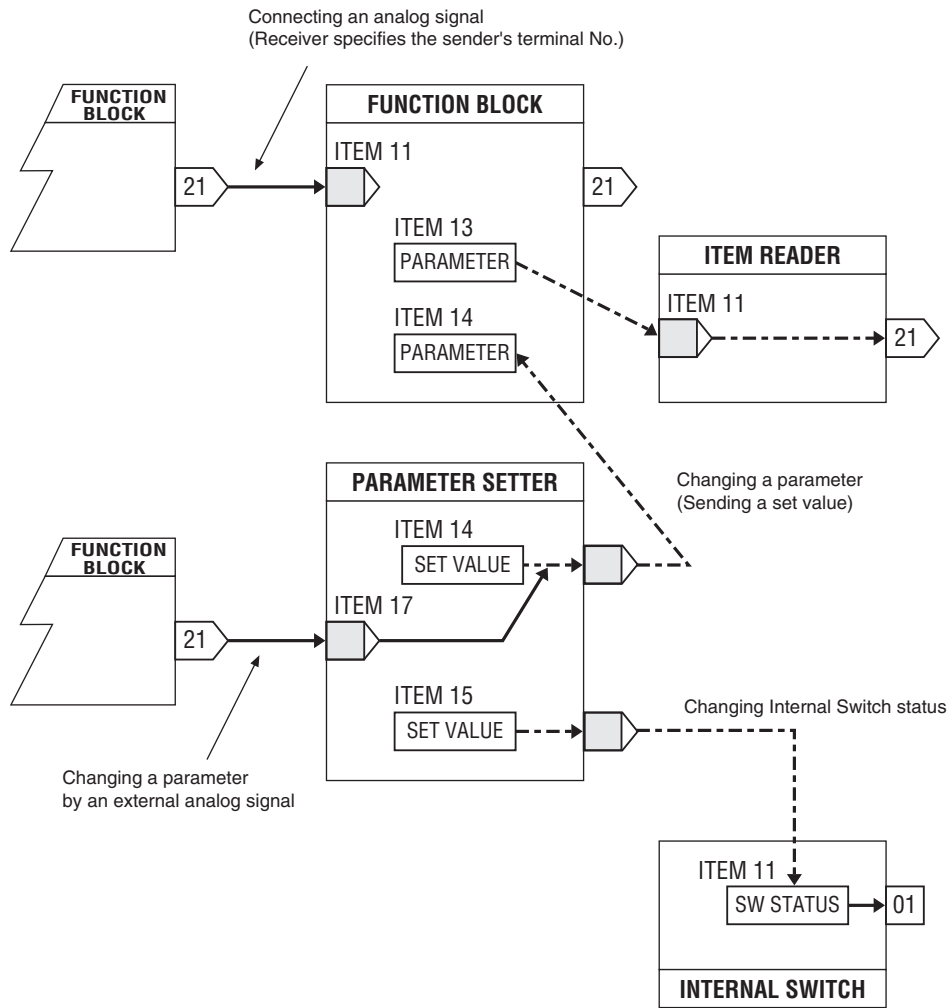
WARNING !

Parameters in the Parameter Setter block are rewritable up to 100 000 times. For example, if parameters are updated every hour, the memory will reach its usable limit in approx. 11 years.

7.6.5 ITEM READER

Parameters are converted into analog signals via this ITEM Reader block.

(Figures are examples.)



7.7 SOFTWARE COMMUNICATION BY COMMUNICATION TERMINALS SC200/210

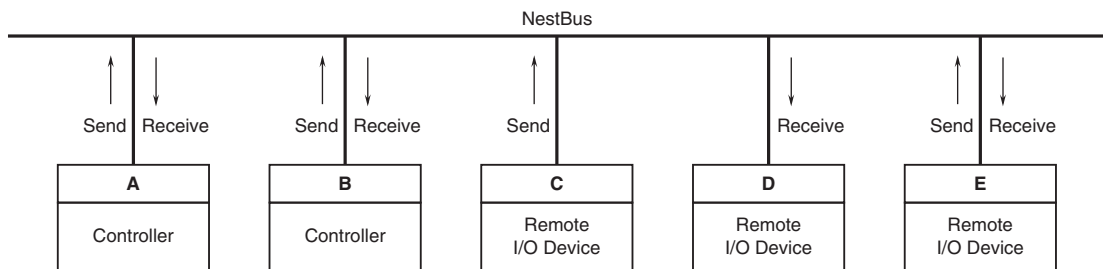
Communication Terminal blocks are used for sending/receiving analog signals and discrete signals between Controllers and remote I/Os.

Sending and Receiving Principles

Token passing protocol is used in this system. A token (right to transmit) goes around nodes (devices connected to the network). Each device, in its turn, broadcasts transmission data to the network. Other devices listen to them and take in necessary data.

There are four (4) communication terminal blocks as following:

- Di Receive Terminal: Discrete input, 32 points
- Do Send Terminal: Discrete output, 32 points
- Ai Receive Terminal: Analog input, 2 points
- Ao Send Terminal: Analog output, 2 points

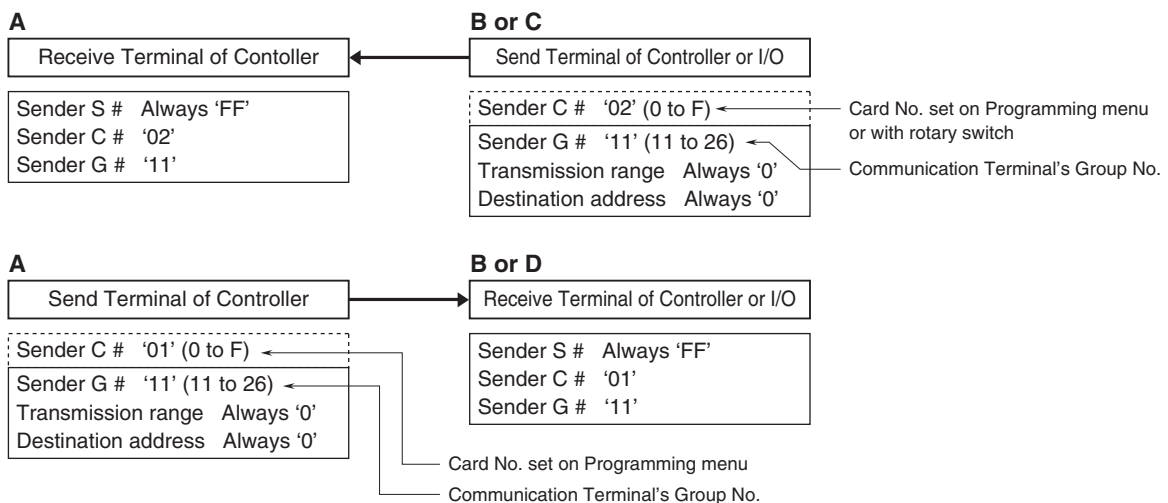


For transmitting data from the device A to the device B in the example shown above, first set necessary data in Send Terminal of the device A and broadcasts them to the network. Then set in Receive Terminal of the device B with the sender address specifying the device A, and take in the data from the network.

Transmission data are broadcasted to the network together with their sender address. If another device requires to receive one of these data, set in its Receive terminal with the required sender address.

Address Setting Example

The following is an example of actual setting to transmit between the Controller A and B (or remote I/O C or D) mentioned in the above figure. In the figure below, boxes in solid line indicate data set in ITEMS of Communication Terminal blocks. Those in broken line indicates those set by other means such like Programming menu on the Controller or DIP switches of remote I/O device.



8. COMMUNICATING WITH THE SFEW3E PROGRAM

8.1 GENERAL DESCRIPTION

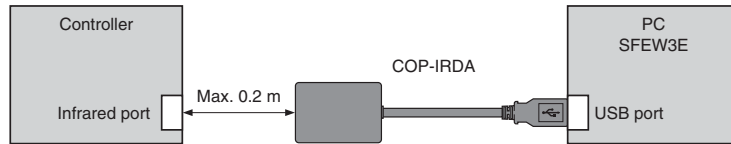
The Loop Configuration Builder Software (model: SFEW3E) is used to upload and download the function block data. Refer to the Users Manual for the SFEW3E for detailed descriptions.

8.2 CONNECTING THE CONTROLLER TO PC

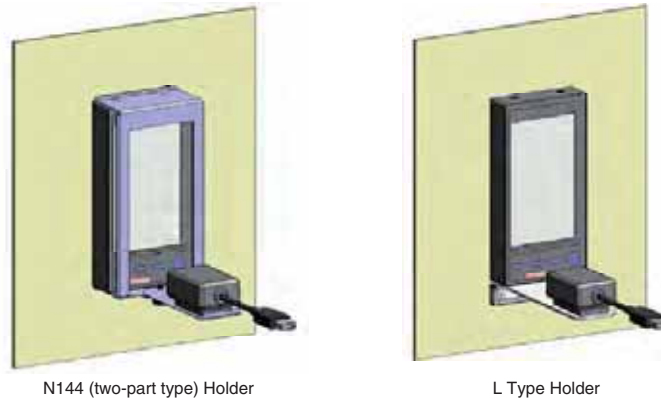
Connect the Controller to PC in order to communicate with the SFEW3E.

8.2.1 INFRARED COMMUNICATION TYPE

- 1) Install the SFEW3E program and driver for Infrared Communication Adaptor device (model: COP-IRDA) to the PC and connect the COP-IRDA to its USB port.
- 2) Start up the SFEW3E and set the COM port number assigned to the USB in the initial setting.
- 3) Set the infrared port in the direct line to face the COP-IRDA's send/receive window, within the maximum distance of 0.2 meter.
- 4) Go to Engineering View and choose Configuration > 01 : Config mode > 02 : SFEW. The front monitoring LED starts blinking slowly to indicate the ready state. Refer to Section 6.3.1.4 CONFIG MODE to operate the Controller.



Using Holders



N144 (two-part type) Holder

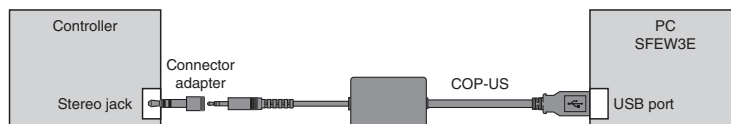
L Type Holder

Caution

- (1) Only one Controller module can communicate with the SFEW3E or SCCFG when multiple modules are mounted side by side. Detecting more than one module at once in the communication mode will result in error.
 - (2) The Controller may not be able to establish normal communication in an environment present with noise from inverters.
-

8.2.2 STEREO JACK TYPE

- 1) Install the SFEW3E program and driver for PC Configurator cable (model: COP-US) to the PC and connect the COP-US to its USB port.
- 2) Start up the SFEW3E and set the COM port number assigned to the USB in the initial setting.
- 3) Connect the COP-US to the connector adaptor and after this, to the Controller's jack port.
- 4) Go to Engineering View and choose Configuration > 01 : Config mode > 02 : SFEW. The front monitoring LED starts blinking slowly to indicate the ready state. Refer to Section 6.3.1.4 CONFIG MODE to operate the Controller.



9. AUTO-TUNING

The PID controller provides accurate control characteristics only by adequately combining proportional band (P), integral time (I) and derivative time (D) and tuning each parameter to most appropriate values.

The P, I and D parameters can be set on the tuning view of the Controller. In addition, it has the auto-tuning mode enabling the user to determine approximate parameters automatically by simple panel operations.

9.1 GENERAL DESCRIPTIONS

The SC Controller uses the limit cycle oscillation for auto-tuning. The control output (MV) is given with a cyclic oscillation (two cycles) at the reference tuning point (CV) where the PV behavior is observed. The most appropriate PID parameters are then computed from measured values of the amplitude and frequency of the established output limit cycle waveform.

During this procedure, MV must be given with sudden changes, therefore this method is not recommended to a system that does not tolerate such disturbance for valve operations. Furthermore, it is not suitable for use in a control system with fast response time or that with an extremely long cycle time.

In general, the limit cycle method is recommended when the ratio L/T of dead time (L) divided by time constant (T) ranges between 0.15 and 0.6, while the control characteristics worsen with values greater than 1, reach its controllable limit with 2, when it is no longer suitable for PID control.

Be aware that the process may react in an unexpected way during auto-tuning procedure. Naturally the parameters obtained in this method may not be the most appropriate. Manual adjustments are recommended to tune them finely.

Refer to Section 6.3.3 TUNING (AUTO-TUNING) VIEW to operate the Controller for the following auto-tuning procedure.

9.2 AUTO-TUNING OPERATIONS

With all auto-tuning parameters set, choose 'AT : Run Auto-tuning.' If the selected reference tuning point (CV) value is greater than the setpoint (SP), a message for caution appears on the screen to warn a possible damage to the control system.

Control output (MV) is changed in a step between 100% and 0%. PV amplitude (Kcp) and frequency (Tcp) are measured to calculate appropriate PID parameters. When MV high limit (MH) is set to a value lower than 100% and/or low limit (ML) to one higher than 0%, MH and/or ML values are used for oscillation. Fix MV at 0% when the control action (DR) is set to '1 : Reverse (MV decreases with increasing PV);' or at 100% when it is set to '0 : Direct,' and wait until PV is stable enough before starting auto-tuning procedure.

The following example of the Controller operation is applied to reverse control action.

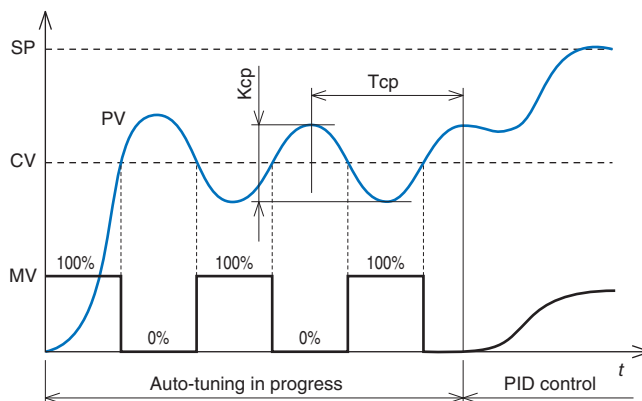
- 1) Blue AUTO indicator starts blinking. MV is switched to 100% and then to 0% when PV crosses across CV.
- 2) MV is then again switched to 100% when PV crosses across CV the second time. These cycles are repeated for twice.
- 3) Amplitude (Kcp) and frequency (Tcp) of the reacting PV waveform as in the figure to the right are measured.
- 4) P, I and D parameters are obtained from the following formulae using Kcp and Tcp values. The a, b and c values depend upon optimization and control action settings.

Proportional gain: $K = a K_{cp}$
 (Proportional band : $PB = 100\% / K$)

Integral time: $TI = b T_{cp}$

Derivative time: $TD = c T_{cp}$

- 5) Store the calculated parameters and go back to normal PID control mode. Green AUTO indicator is turned on.



The above figure shows operation with reverse control action. MV cycles are inverted with direct action. Wait to start the procedure until PV is stabilized.

When the auto-tuning procedure is completed abnormally as explained in the following, 'MI : Fixed MV' at error value is applied as MV.

- When PV goes over PV high limit or below PV low limit.
- When the procedure does not complete before preset time out (TO) is elapsed.
- When 'AT : Stop Auto-tuning' is selected (a message for caution appears on the screen).

9.3 OPTIMIZATION & CONTROL ACTION

OPTIMIZATION	DESCRIPTION
Process change	(= Constant-value control) PID parameters are calculated so to suit PV signal change (disturbance). Choose this option for single loop control and for primary loop control in a cascade control loop.
Setpoint change	(= Follow-up control) PID parameters are calculated so to suit SP signal change. Choose this option for secondary loop control in a cascade control loop.

OPERATION MODE	DESCRIPTION
PID	P, I and D parameters
PI	P and I parameters

9.4 MANUAL ADJUSTMENT OF PID PARAMETERS FOR FINE TUNING

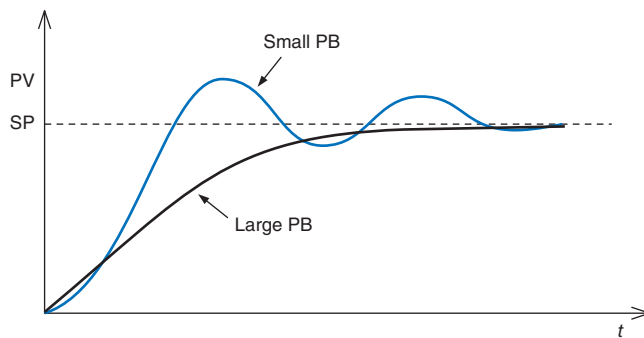
Parameters obtained by auto-tuning may not be the most appropriate. Run an actual control operation with them and confirm their adequacy. When further manual adjustments are needed, refer to the following instructions.

Proportional Band (PB)

Set a larger PB when the system allows more time to track SP but less overshooting.

Set a smaller PB when the system allows more overshooting but less time to stabilize, or when it needs to recover more quickly from a disturbance.

Be aware that the output signal may start hunting if you choose too small a proportional band.

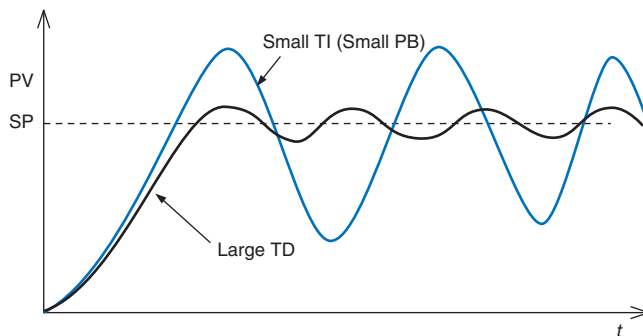


Integral Time (TI)

Repeating overshooting/undershooting or hunting of long cycles suggests the integral action may be too intensive. Set a larger TI or a larger PB to minimize hunting.

Derivative Time (TD)

Hunting of short cycles suggests too fast a response time of the control system and the derivative action may be too intensive. Set a smaller TD in such cases.



10. COMMUNICATING WITH THE SCCFG PROGRAM

10.1 GENERAL DESCRIPTION

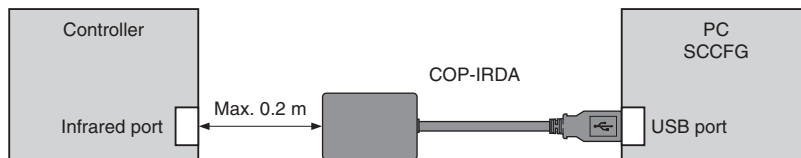
The PC Configurator Software (model: SCCFG) is used to save and transfer setting parameters. Refer to the Users Manual for the SCCFG for detailed descriptions.

10.2 CONNECTING THE CONTROLLER TO PC

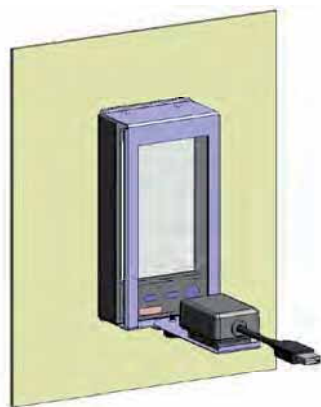
10.2.1 INFRARED COMMUNICATION TYPE

Connect the Controller to PC in order to communicate with the SCCFG.

- 1) Install the SCCFG program and driver for Infrared Communication Adaptor device (model: COP-IRDA) to the PC and connect the COP-IRDA to its USB port.
- 2) Set the COM port number assigned to the USB for use with the SCCFG.
- 3) Set the infrared port in the direct line to face the COP-IRDA's send/receive window, within the maximum distance of 0.2 meter.
- 4) Go to Engineering View and choose Configuration > 01 : Config mode > 03 : SCCFG. The front monitoring LED starts blinking rapidly to indicate the ready state. Refer to Section 6.3.1.4 CONFIG MODE to operate the Controller.



Using Holders



N144 (two-part type) Holder



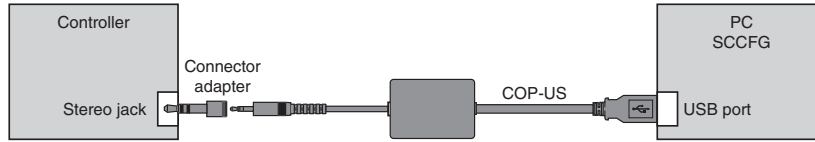
L Type Holder

Caution

- (1) Only one Controller module can communicate with the SFEW3E or SCCFG when multiple modules are mounted side by side. Detecting more than one module at once in the communication mode will result in error.
 - (2) The Controller may not be able to establish normal communication in an environment present with noise from inverters.
-

10.2 STEREO JACK TYPE

- 1) Install the SCCFG program and driver for PC Configurator cable (model: COP-US) to the PC and connect the COP-US to its USB port.
- 2) Set the COM port number assigned to the USB for use with the SCCFG.
- 3) Connect the COP-US to the connector adaptor and after this, to the Controller's jack port.
- 4) Go to Engineering View and choose Configuration > 01 : Config mode > 03 : SCCFG. The front monitoring LED starts blinking rapidly to indicate the ready state. Refer to Section 6.3.1.4 CONFIG MODE to operate the Controller.



10.3 SAVING SHORT TREND DATA **SC200/210**

Short trend data stored in the SC200/SC210 can be exported in a CSV file. Exported data range depends upon the trend recording status:

- START: Max. 400 samples backward from the most recent sample
- STOP: Max. 400 samples backward from the moment of STOP command.
- PAUSE: Max. 400 samples backward from the moment of PAUSE command.

Refer to the Users Manual for the SCCFG for the CSV file format.

10.4 TRANSFERRING SETTING PARAMETERS

Setting parameters (those marked with 'Y' in the rightmost column of '6.3.1.3 CONFIGURATION PARAMETERS' table plus all items in '6.3.5.4 SETTING ITEMS' table) can be uploaded and saved in a PC file. Setting files can be downloaded to the Controller device. They can be copied to multiple devices in turn.

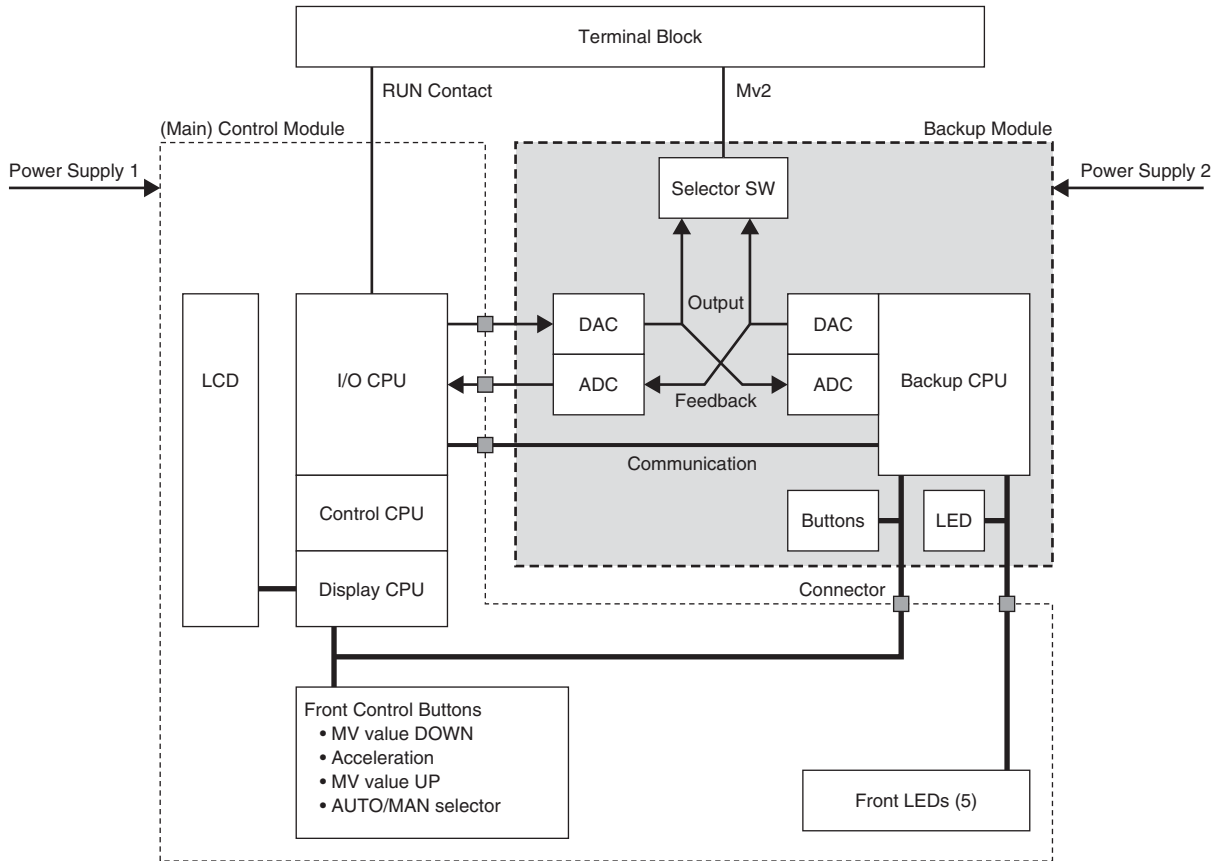
Transferred parameters become valid only after the power supply to the Controller is reset.

11. BACKUP (MANUAL LOADING) SC110/210

If the Controller module fails, it can be replaced while the Mv 2 output is maintained.

Backup/manual loading is applicable to Mv 2 only.

11.1 HARDWARE CONSTRUCTION



- Controller module and Backup module maintain monitoring each other's status.
- The front LED indicators for Mv 2 are connected to that of the backup module; while the front UP/DOWN control buttons are connected in parallel to both modules.
- Optionally (specified when ordering), the backup module could have its own power supply circuit independent from that of the controller module.
- The backup module takes in the feedback signal (analog) of the control module output to track it for its own output.
- In normal conditions, the Mv 2 selector SW is set to the control module.
- When the control is switched to the backup module either manually or automatically, the Mv 2 selector SW is set to the backup module.
- Transition of output level in the switching is smooth as the backup module has been continuously tracking the control module output.
- The control mode is set to Manual and manual loading for Mv 2 using the front control buttons is available in this mode.

11.2 BACKUP SETTING

11.2.1 AUTO / MANUAL SWITCHING

Manual Switching

Manual switching to the backup mode is always available by the front control button operations. Refer to the later sections for the procedure.

Auto Switching

Control module and Backup module continuously monitors each other's status. When an abnormality is detected at the control module (including when the Mv 2 output loop is open), the backup module automatically takes control of the Mv output.

AUTO SWITCHING CONDITION	DETAIL
Mv 2 error	When the backup module detects a deviation greater than $\pm 20\%$ between the Mv 2 output and its feedback signal at the control module.
Communication error	When the backup module fails to communicate with the control module for longer than 3 seconds.

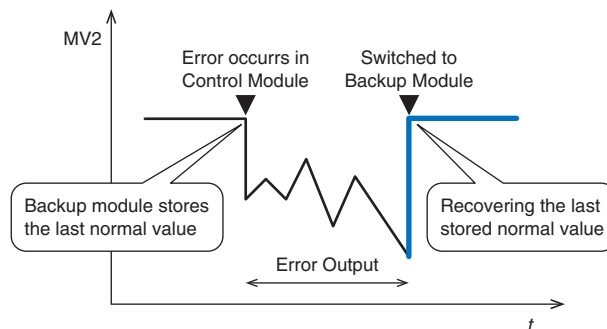
CAUTION !

The Controller goes to the backup mode also when the power supply to the control module is lost. It is possible that the Mv 2 output has been already declining before switched, and the backup module starts tracking the output at a slightly lower level than the original output state.

11.2.2 BACKUP OUTPUT MODE (TRACK BACK / PRESET VALUE)

Track Back

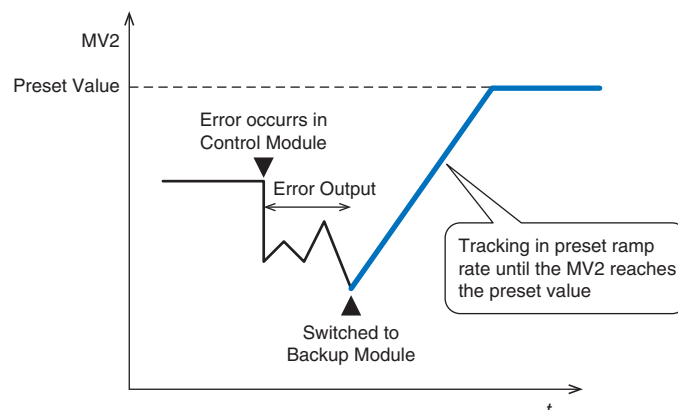
The backup module provides the most updated normal output (when both the communication and the feedback signal detected as normal) at the moment of switching.



Preset Value

The backup module provides a preset value output at the moment of switching.

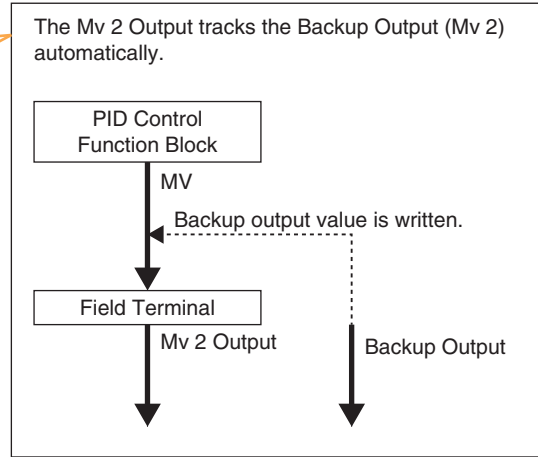
A rate-of-change limit can be applied in transition to suppress a sudden change. The ramp output is overtook by manual control if it is interrupted before the Mv 2 output reaches the preset value.



11.2.3 BACKUP RECOVERY MODE (AUTO/MANUAL TRACKING)

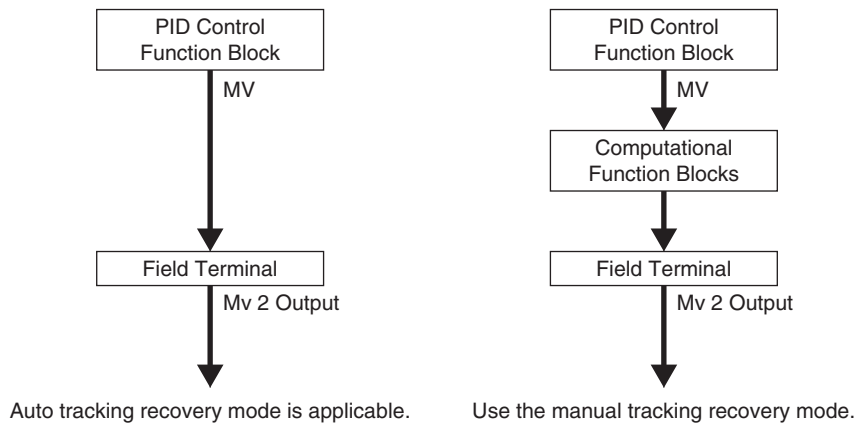
Auto Tracking

The Mv 2 output of the control module automatically tracks that of the backup module until they are equalized before the control is switched manually to the normal state.



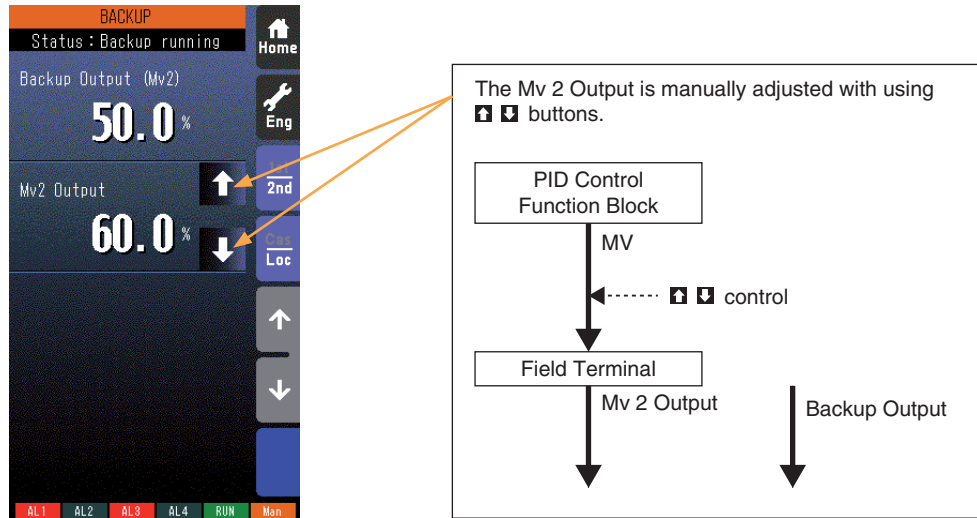
Caution !

The auto tracking recovery mode functions correctly when the MV signal of the PID Control Function Block is directly connected to the Field Terminal's Mv 2. Use the manual tracking mode if other function blocks are connected between the MV and the Mv 2.



Manual Tracking

The operator manually adjusts the Mv 2 output of the control module until it is equalized to that of the backup module before the control is switched manually to the normal state.



11.2.4 AUTO BACKUP AFTER TURNING ON THE POWER 1.50

The Controller goes to the backup mode, when the backup unit is turned on and there is no communication between the main unit for 5 seconds.

11.2.5 FUNCTION BLOCK SETTING

Control parameters regarding the backup function are programmed using the Function Block.

Mv 2 BACKUP PARAMETER SETTING

GROUP	ITEM	DATA	DISPLAY	PARAMETER
04	80	-15.00 – 115.00%	MVB: NNN.NN	Backup loading MV
	81	0, 1	BSW: N	Automatic switching (0: Disable, 1: Enable)
	82	0, 1	BWD: N	Backup output mode (0: Track back, 1: Preset value)
	83	0.00 – 115.00%/s	BFL: NNN.NN	Output rate-of-change limit (0: No limit applied)
	84	-15.00 – 115.00%	BFV: NNN.NN	Preset value (applied with ITEM 82 DATA 1)
	85	0, 1	BBL: N	Backup recovery mode (0: Auto tracking, 1: Manual tracking)
	86	0, 1	BGR: N	Backup GROUP
	87	0, 1	15: N	Backup status (0: Normal, 1: Backup Running) 1.50

ITEM 80: Backup loading MV (-15.00 – 115.00%)

Used to read the MV value provided by the backup module.

ITEM 81: Automatic switching (0: Disable, 1: Enable)

Used to enable/disable automatic switching to/from the backup mode.

ITEM 82: Backup output mode (0: Track back, 1: Preset value)

Used to select the backup output mode.

ITEM 83: Output rate-of-change limit (0: No limit applied)

Used to set the rate of MV output change with 'Preset value' backup output mode.

With the value set to 0, no ramp control is provided.

ITEM 84: Preset value (-15.00 to 115.00%)

Used to set the preset value in the backup mode.

ITEM 85: Backup recovery mode (0: Auto tracking, 1: Manual tracking)

Used to select the Mv 2 output mode before the backup control is returned to the normal state.

ITEM 86: Backup GROUP (2 or 3)

Used to select the PID control loop to be backed up.

ITEM 87: Backup status **1.50**

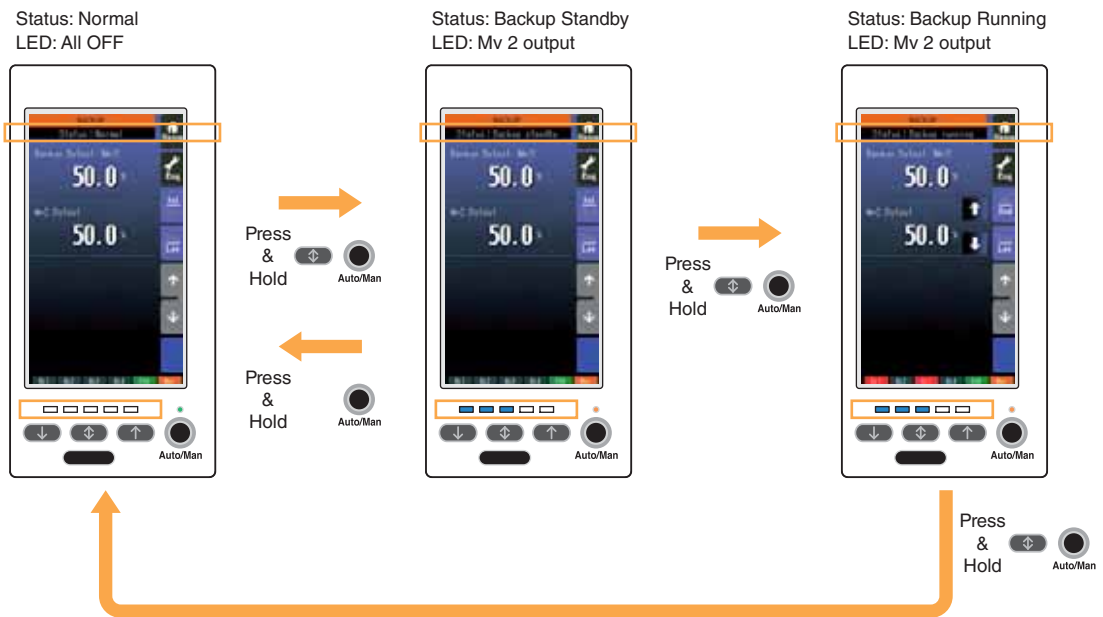
Used to indicate backup status.

“0: Normal” means that the status is “Normal” or “Backup Standby”.

11.3 BACKUP OPERATION & DISPLAY

11.3.1 STATUS TRANSITION DIAGRAM

■ BACKUP VIEW



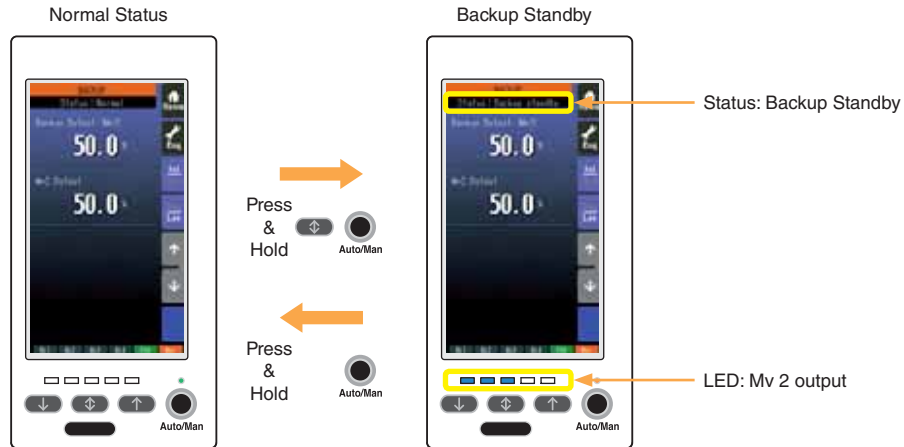
11.3.2 SWITCHING OPERATION

Normal Mode

The Backup view (Engineering view > Backup) shows 'Normal' status and all the LEDs are at off state.

Backup Standby

Pressing the front acceleration button and Auto/Man button at once during the normal mode status switches to 'Backup Standby' status.



- The Backup view (Engineering view > Backup) shows 'Backup Standby' status and the LEDs indicate the Mv 2 output value.
- The front LEDs blink according to the Mv 2 output value as shown in the table below.

LED STATUS	MV OUTPUT
□ □ □ □ □	Less than 3%
□ □ □ □ □	$3\% \leq Mv\ 2 < 28\%$
□ □ □ □ □	$28\% \leq Mv\ 2 < 53\%$
□ □ □ □ □	$53\% \leq Mv\ 2 < 78\%$
□ □ □ □ □	78% or more

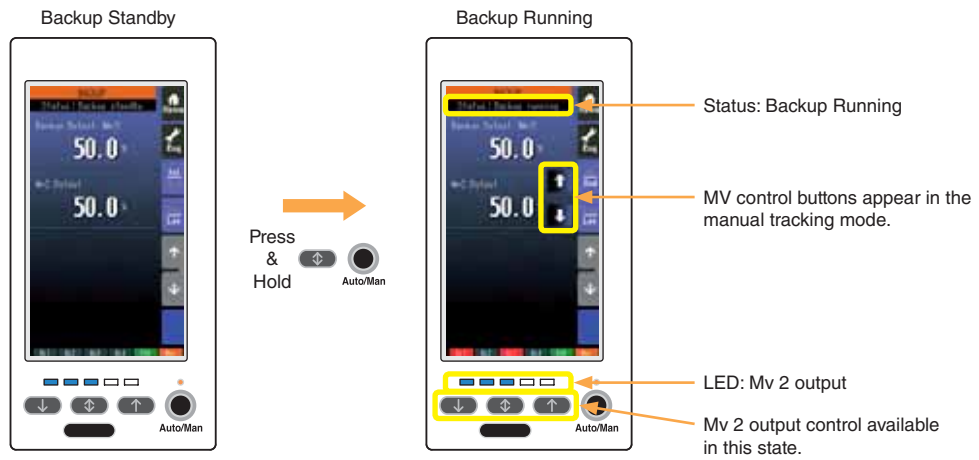
□ : OFF □ : Blinking

- If the standby status is not switched to 'Running' status within 1 minute, the Controller goes back to the normal status.
- Pressing and holding Auto/Man button switches back to the normal status.
- MV and Auto/Man switching controls are not functional during the standby status. Other functions such as switching views are available.

Backup Running

Pressing the front acceleration button and Auto/Man button at once during the standby status switches to 'Backup Running' status. The Mv output is provided from the backup module.

At this state, the Controller is in Manual control mode, in which Mv output is provided according to the preset backup output mode.



- The Backup view (Engineering view > Backup) shows 'Backup Running' status and the LEDs indicate the Mv 2 output value.
- MV control buttons appear on the touch panel screen if the recovery mode is set to 'manual tracking.'
- The front LEDs turn on or blink according to the Mv 2 output value as shown in the table below.

LED STATUS	MV OUTPUT
■ □ □ □ □	Less than 3%
■ □ □ □ □	$3\% \leq Mv\ 2 < 22\%$
■ ■ □ □ □	$22\% \leq Mv\ 2 < 28\%$
■ ■ □ □ □	$28\% \leq Mv\ 2 < 47\%$
■ ■ ■ □ □	$47\% \leq Mv\ 2 < 53\%$
■ ■ ■ □ □	$53\% \leq Mv\ 2 < 72\%$
■ ■ ■ □ □	$72\% \leq Mv\ 2 < 78\%$
■ ■ ■ □ □	$78\% \leq Mv\ 2 < 97\%$
■ ■ ■ ■ □	97% or more

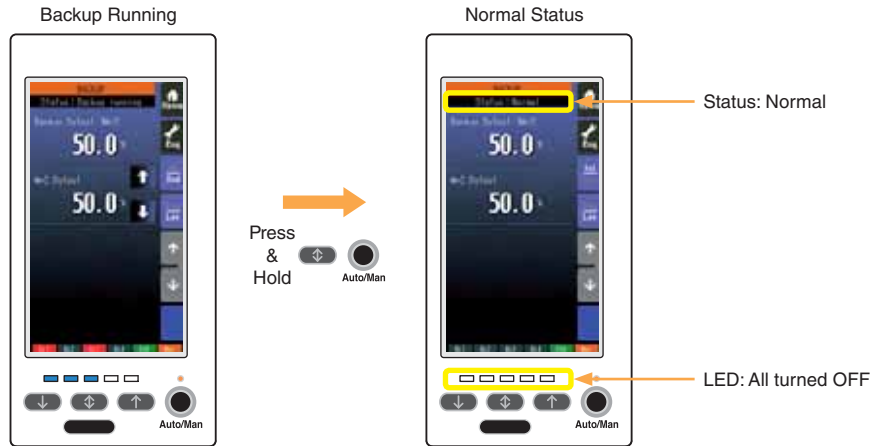
□ : OFF ■ : ON □ : Blinking

- MV2 output can be manually controlled with the hardware buttons.

11.3.3 RETURNING TO NORMAL STATUS

Pressing the front acceleration button and Auto/Man button at once during the running status switches to 'Normal' status. The Mv output is provided from the control module.

The Backup view (Engineering view > Backup) shows 'Normal' status and all the LEDs are at off state.



CAUTION !

Before returning to the normal state, confirm that the Mv 2 output of the control module and that of the backup module do not have a great deviation. If these values has too great a difference, the Mv 2 output suddenly changes at the moment of the switching.

11.3.4 LED TEST

LED testing can be performed when the Controller is in 'Normal' status, to confirm that LEDs are functioning properly.

Go to Engineering view > Configuration view > LED test and set 'Enable.' Confirm all LEDs turn on.

Set 'Disable' to quit the simulation test.

11.4 HOW TO REPLACE THE CONTROL MODULE

Before replacing a failed control module, transfer its complete setting to the replacement module.

CAUTION !

Replacing is conducted by a personnel qualified by M-System.

Refer to Section 11.3.1 STATUS TRANSITION DIAGRAM regarding control operations to shift to/from the backup mode.

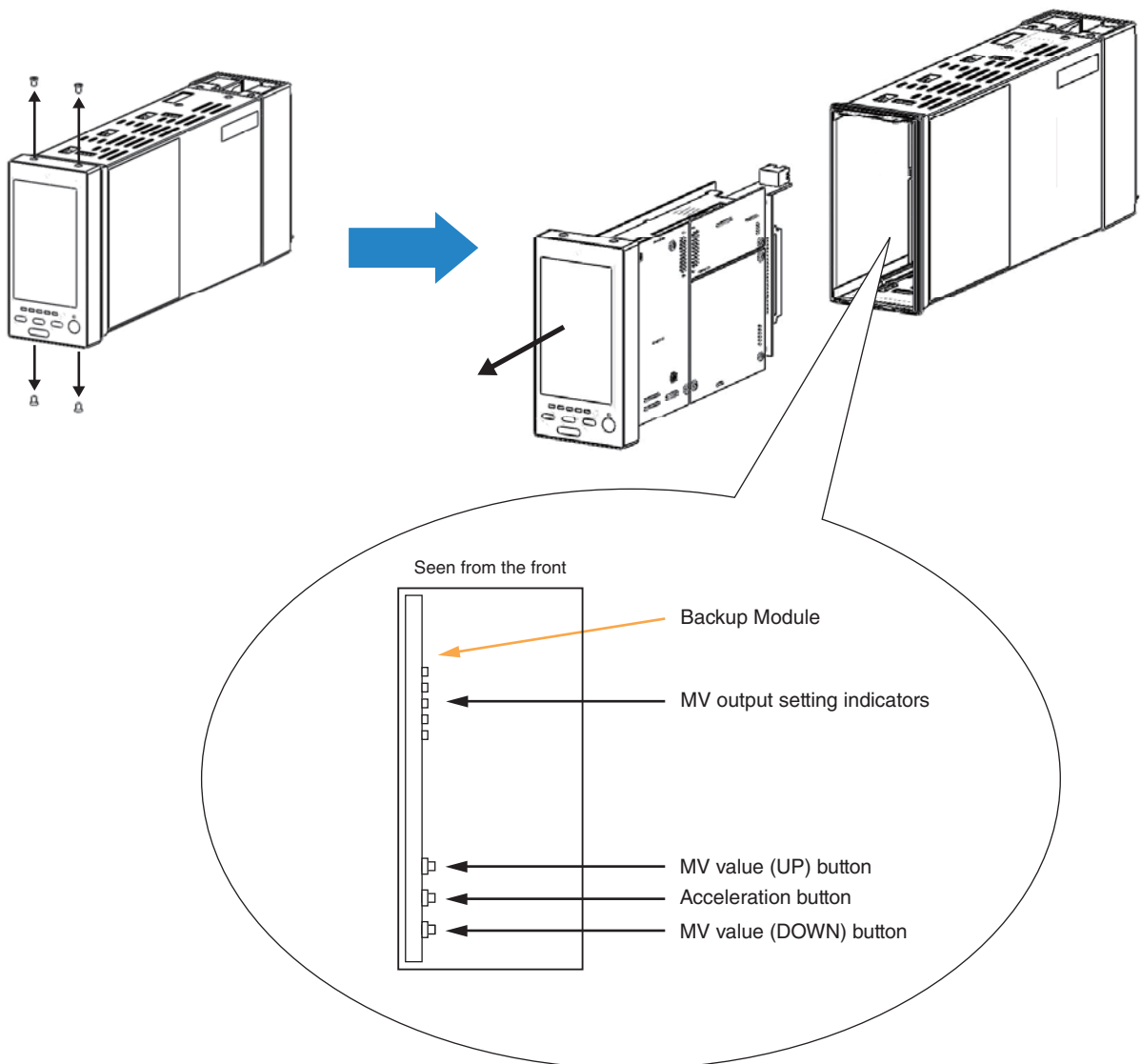
(1) Switch to the backup mode.

The front LEDs start turning on and blinking according to the Mv 2 output level. If the Controller has been automatically switched to the backup mode, the LEDs are already functioning.

The Mv 2 output can be controlled by the front control buttons with the help of LEDs in this state.

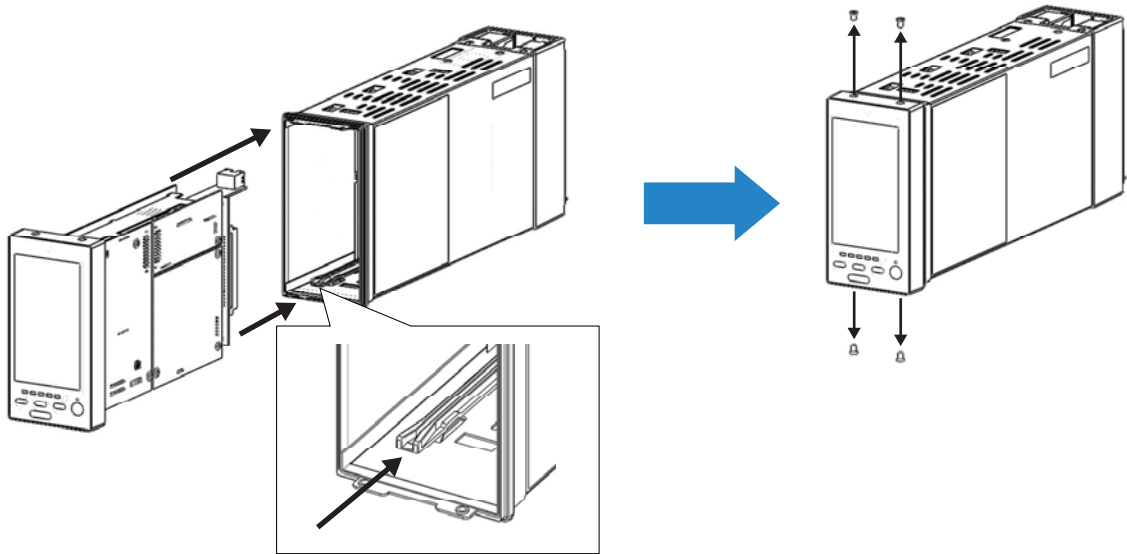
(2) Unfasten four screws at the top and bottom of the front part (See the figure below at the left) and extract the control module.

The Mv 2 output can be controlled by the relevant buttons and LEDs on the backup module at this point.



- (3) Insert a new control module along the grooves at the top and bottom inside the controller housing and tighten four screws at the front part.

The control module starts up as soon as it is connected.



- (4) Confirm on the backup view the following: (Refer to: 11.2.3 BACKUP RECOVERY MODE (AUTO/MANUAL TRACKING))

Auto tracking mode: The Mv 2 Output (bottom-row display) tracks exactly the Backup Output (Mv 2) (top-row display).

Manual tracking mode: The MV 2 Output can be controlled with the MV control buttons at the right side on the screen.

- (5) Return to the normal status. The LEDs turn off. (Refer to: 11.3.3 RETURNING TO NORMAL STATUS)

- (6) Switch to automatic control mode or normal operating mode.

Appx 1. COLD START PARAMETERS

GROUP 01: FIELD TERMINAL

GROUP	ITEM	DATA	PARAMETER
01	39	0	AL1 lamp output
	40	0	AL2 lamp output
	41	0	AL3 lamp output
	42	0	AL4 lamp output

GROUP 04: EXTENSION FIELD TERMINAL 1

GROUP	ITEM	DATA	PARAMETER
04	11	0	Pv 1 input
	12	0	Pv 2 input
	13	0	Ai 1 input
	14	0	Ai 2 input
	15	0	Ai 3 input
	16	0	Ai 4 input
	17	0	Mv 1 check input
	18	0	Mv 2 check input
	21	0	Mv 1 output
	22	0	Mv 2 output
	23	0	Ao 1 output
	24	0	Ao 2 output
	44	0	Pv 1 error contact output
	45	0	Pv 2 error contact output
	46	0	Mv 1 error contact output
	47	0	Mv 2 error contact output
80	0	Manual loading MV (SC110/210)	

GROUP 05: EXTENSION FIELD TERMINAL 2

GROUP	ITEM	DATA	PARAMETER
05	11	0	Di 1 input indication or Qi 1 accumulated count indication
	12	0	Di 2 input indication or Qi 2 accumulated count indication
	13	0	Di 3 input indication or Qi 3 accumulated count indication
	14	0	Di 4 input indication or Qi 4 accumulated count indication
	15	0	Di 5 input indication or Qi 5 accumulated count indication
	16	0	Di 6 input indication or Qi 6 accumulated count indication
	17	0	QA 1 momentary value indication
	18	0	QA 2 momentary value indication
	19	0	QA 3 momentary value indication
	20	0	QA 4 momentary value indication
	21	0	QA 5 momentary value indication
	22	0	QA 6 momentary value indication
	23	0	Do 1 output indication
	24	0	Do 2 output indication
	25	0	Do 3 output indication
	26	0	Do 4 output indication
27	0	Do 5 output indication	

GROUP 02, 03: PID CONTROLLER

GROUP	ITEM	DATA	PARAMETER
02, 03	16	0	PV %
	18	0	Current PV %
	22	0	PV high alarm
	23	0	PV low alarm
	25	0	CAS %
	30	0	C/L SW
	31	0	SP tracking SW
	33	0	Current SP %
	35	0	Deviation alarm
	36	0	Deviation output %
	52	0	Preset value SW
	55	0	Output hold SW
	57	0	External feedback %
	58	0	External feedback SW
	59	0	A/M SW
	60	0	MV %
61	0	MV high limit reached	
62	0	MV low limit reached	

Appx 2. FUNCTION BLOCK PARAMETERS DEFAULT SETTING

(Initial values provided when ITEM 10 is set)

GROUP 01: FIELD TERMINAL

GROUP	ITEM	ABBR	DATA	PARAMETER
01	11	GR	2	Primary loop Group No. (valid after reset)
	12	M1	0	Primary MV operational range (0: $\pm 115\%$, 1: -15 – +115%)
	13	M2	0	Secondary MV operational range (0: $\pm 115\%$, 1: -15 – +115%)
	15	1F	0000	FN1 connection terminal for indication (GG: Group No., NN: terminal No.)
	16	1H	10000	FN1 upper range (in engineering unit)
	17	1L	0	FN1 lower range (in engineering unit)
	18	1D	2	FN1 decimal point position (from rightmost digit)
	19	2F	0000	FN2 connection terminal for indication (GG: Group No., NN: terminal No.)
	20	2H	10000	FN2 upper range (in engineering unit)
	21	2L	0	FN2 lower range (in engineering unit)
	22	2D	2	FN2 decimal point position (from rightmost digit)
	23	3F	0000	FN3 connection terminal for indication (GG: Group No., NN: terminal No.)
	24	3H	10000	FN3 upper range (in engineering unit)
	25	3L	0	FN3 lower range (in engineering unit)
	26	3D	2	FN3 decimal point position (from rightmost digit)
	27	4F	0000	FN4 connection terminal for indication (GG: Group No., NN: terminal No.)
	28	4H	10000	FN4 upper range (in engineering unit)
	29	4L	0	FN4 lower range (in engineering unit)
	30	4D	2	FN4 decimal point position (from rightmost digit)
	31	T1	Tag No.	FN1 tag name (max. 10 characters)
	32	T2	Tag No.	FN2 tag name (max. 10 characters)
	33	T3	Tag No.	FN3 tag name (max. 10 characters)
	34	T4	Tag No.	FN4 tag name (max. 10 characters)
	35	U1	Unit	FN1 engineering unit (max. 8 characters)
	36	U2	Unit	FN2 engineering unit (max. 8 characters)
	37	U3	Unit	FN3 engineering unit (max. 8 characters)
	38	U4	Unit	FN4 engineering unit (max. 8 characters)
	43	L1	AL1	AL1 comment (max. 4 characters)
	44	L2	AL2	AL2 comment (max. 4 characters)
	45	L3	AL3	AL3 comment (max. 4 characters)
46	L4	AL4	AL4 comment (max. 4 characters)	

GROUP 04: EXTENSION FIELD TERMINAL 1

GROUP	ITEM	ABBR	DATA	PARAMETER
04	25	M1#	0099	Mv 1 connection terminal (error if not connected) (GG: Group No., NN: terminal No.)
	26	M2#	0099	Mv 2 connection terminal (error if not connected) (GG: Group No., NN: terminal No.)
	27	A1#	0099	Ao 1 connection terminal (error if not connected) (GG: Group No., NN: terminal No.)
	28	A2#	0099	Ao 2 connection terminal (error if not connected) (GG: Group No., NN: terminal No.)
	30	PH1	115.00	Pv 1 high alarm setpoint (for error judgment)
	31	PL1	-15.00	Pv 1 low alarm setpoint (for error judgment)
	32	PH2	115.00	Pv 2 high alarm setpoint (for error judgment)
	33	PL2	-15.00	Pv 2 low alarm setpoint (for error judgment)
	34	ML1	115.00	Mv 1 deviation alarm setpoint (for error judgment)
	35	ML2	115.00	Mv 2 deviation alarm setpoint (for error judgment)
	36	TP1	3	Pv 1 input type
	37	HT1	1000.0	Pv 1 upper range temperature
	38	LT1	0.0	Pv 1 lower range temperature
	39	CJ1	1	Pv 1 cold junction compensation (0: without, 1: with)
	40	TP2	3	Pv 2 input type
	41	HT2	1000.0	Pv 2 upper range temperature
	42	LT2	0.0	Pv 2 lower range temperature
	43	CJ2	1	Pv 2 cold junction compensation (0: without, 1: with)
	50	PZ1	0.00	Pv 1 zero adjustment (zero bias)
	51	PS1	1.0000	Pv 1 span adjustment (gain)
	52	PZ2	0.00	Pv 2 zero adjustment (zero bias)
	53	PS2	1.0000	Pv 2 span adjustment (gain)
	54	MZ1	0.00	Mv 1 zero adjustment (zero bias)
	55	MS1	1.0000	Mv 1 span adjustment (gain)
	56	MZ2	0.00	Mv 2 zero adjustment (zero bias)
	57	MS2	1.0000	Mv 2 span adjustment (gain)
	58	IZ1	0.00	Ai 1 zero adjustment (zero bias)
	59	IS1	1.0000	Ai 1 span adjustment (gain)
	60	IZ2	0.00	Ai 2 zero adjustment (zero bias)
	61	IS2	1.0000	Ai 2 span adjustment (gain)
	62	IZ3	0.00	Ai 3 zero adjustment (zero bias)
	63	IS3	1.0000	Ai 3 span adjustment (gain)
	64	IZ4	0.00	Ai 4 zero adjustment (zero bias)
	65	IS4	1.0000	Ai 4 span adjustment (gain)
	66	CZ1	0.00	Mv 1 check input zero adjustment (zero bias)
	67	CS1	1.0000	Mv 1 check input span adjustment (gain)
68	CZ2	0.00	Mv 2 check input zero adjustment (zero bias)	
69	CS2	1.0000	Mv 2 check input span adjustment (gain)	
70	OZ1	0.00	Ao 1 zero adjustment (zero bias)	
71	OS1	1.0000	Ao 1 span adjustment (gain)	
72	OZ2	0.00	Ao 2 zero adjustment (zero bias)	
73	OS2	1.0000	Ao 2 span adjustment (gain)	
81	BSW	0	Automatic switching (0: disable, 1: enable)	
82	BMD	0	Backup control mode (0: track back, 1: preset value)	
83	BVL	0	Output rate-of-change limit (0: no limit applied)	
84	BFV	0	Preset value (applicable with ITEM 82 DATA 1)	
85	BBL	0	Backup recovery mode (0: auto tracking, 1: manual tracking)	
86	BGR	3	Backup GROUP	

ITEM 81 through 86 are available for the SC110/210 only.

GROUP 05: EXTENSION FIELD TERMINAL 2

GROUP	ITEM	ABBR	DATA	PARAMETER
05	31	PD	00000	Di/Pi selection (0 = Di, 1 = Pi) (10 ⁰ : Di1, 10 ¹ : Di2, 10 ² : Di3, 10 ³ : Di4, 10 ⁴ : Di5)
	32	KR	1	Pi moving average sample number for momentary value conversion
	33	D1	0	Qi 1 power-law scaling (10's power 1: x 10, 0: x 1, -1: x 0.1, -2: x 0.01, -3: x 0.001)
	34	S1	1.0000	Qi 1 scaling factor
	35	K1	1000.00	QA 1 momentary value conversion factor (number of pulses per second at 100% momentary value output)
	36	D2	0	Qi 2 power-law scaling (10's power 1: x 10, 0: x 1, -1: x 0.1, -2: x 0.01, -3: x 0.001)
	37	S2	1.0000	Qi 2 scaling factor
	38	K2	1000.00	QA 2 momentary value conversion factor (number of pulses per second at 100% momentary value output)
	39	D3	0	Qi 3 power-law scaling (10's power 1: x 10, 0: x 1, -1: x 0.1, -2: x 0.01, -3: x 0.001)
	40	S3	1.0000	Qi 3 scaling factor
	41	K3	1000.00	QA 3 momentary value conversion factor (number of pulses per second at 100% momentary value output)
	42	D4	0	Qi 4 power-law scaling (10's power 1: x 10, 0: x 1, -1: x 0.1, -2: x 0.01, -3: x 0.001)
	43	S4	1.0000	Qi 4 scaling factor
	44	K4	1000.00	QA 4 momentary value conversion factor (number of pulses per second at 100% momentary value output)
	45	D5	0	Qi 5 power-law scaling (10's power 1: x 10, 0: x 1, -1: x 0.1, -2: x 0.01, -3: x 0.001)
	46	S5	1.0000	Qi 5 scaling factor
	47	K5	1000.00	QA 5 momentary value conversion factor (number of pulses per second at 100% momentary value output)
	48	D6	0	Qi 6 power-law scaling (10's power 1: x 10, 0: x 1, -1: x 0.1, -2: x 0.01, -3: x 0.001)
	49	S6	1.0000	Qi 6 scaling factor
	50	K6	1000.00	QA 6 momentary value conversion factor (number of pulses per second at 100% momentary value output)
	51	DM	0	Error detected by diagnostic (0: Normal conditions, 1: All discrete outputs OFF with RUN contact OFF)
52	PD6	1	PD6: Select Discrete / Pulse input 0 = Di, 1 = Pi	

GROUP 02, 03: PID CONTROLLER

GROUP	ITEM	ABBR	Basic PID DATA	Adv. PID DATA	MV Man. DATA	Ratio Setter DATA	Indicator DATA	PARAMETER
02, 03	15	P#	0000	0000	----	0000	0000	PV connection terminal
	17	PT	----	.0	----	----	----	PV first order lag time constant
	19	PH	115.00	115.00	----	115.00	115.00	PV high alarm setpoint
	20	PL	-15.00	-15.00	----	-15.00	-15.00	PV low alarm setpoint
	21	HS	1.00	1.00	----	1.00	1.00	Hysteresis (deadband)
	24	C#	0000	0000	----	0000	----	CAS connection terminal
	26	RT	----	1.000	----	----	----	Ratio setting (signal % ratio)
	27	SP	.00	.00	----	1.000	----	Local SP %
	29	SM	0	0	----	0	----	Setting method (0: local)
	30	03	0	0	----	0	----	C/L SW (0: local)
	32	SR	----	.00	----	----	----	SP rate-of-change limit (0: without)
	34	DL	115.00	115.00	----	----	----	Deviation alarm setpoint
	37	06	----	0	----	----	----	Input compensation SW (0: without)
	38	IM	----	0	----	----	----	Input compensation method (0: without)
	39	I#	----	0000	----	----	----	Input compensation connection terminal
	40	DR	0	0	----	.00	----	Control action (0: direct [MV increases with PV increase])
	41	DM	0	0	----	.00	----	Derivative method (0: PV derivative)
	42	PB	100	100	----	----	----	Proportional band
	43	TI	.00	.00	----	----	----	Integral time (0: no integral action)
	44	TD	.00	.00	----	----	----	Derivative time (0: no derivative action)
	45	CP	1	1	----	----	----	Control cycle (multiple of basic control cycle)
	47	07	----	0	----	----	----	Output compensation SW (0: without)
	48	OM	----	0	----	----	----	Output compensation method (0: without)
	49	0#	----	0000	----	----	----	Output compensation connection terminal
	50	MH	115.00	115.00	----	----	----	Output high limit
	51	ML	-115.00	-115.00	----	----	----	Output low limit
	53	MI	.00	.00	----	----	----	Preset value
	54	MR	----	.00	----	----	----	Output rate-of-change limit (0: without)
	56	M#	----	0000	----	----	----	External feedback connection terminal
	59	11	0	0	----	0	----	A/M SW (0: manual)
	60	MV	.00	.00	.00	.00	----	Supervisory indication / manipulated MV %
	64	RS	50.00	50.00	----	----	----	Manual reset
	66	MS	0	0	----	----	----	Smooth tracking output with local SP change (0: without)
	80	TG	Tag No.	Tag No.	Tag No.	Tag No.	Tag No.	Tag name
	81	TC	Tag Comment	Tag Comment	Tag Comment	Tag Comment	Tag Comment	Tag comment
	82	MH	10000	10000	----	10000	10000	Upper range
83	ML	0	0	----	0	0	Lower range	
84	DP	2	2	----	2	2	Decimal point position (from rightmost digit)	
85	TU	Unit	Unit	----	Unit	Unit	Engineering unit	
86	MD	0	0	0	0	----	MV reverse indication (0: direct)	

Appx 3. ERROR CODES

■ FINDING GROUP NO. IN ERROR

When an error occurs, first confirm the error code and corresponding abnormality in GROUP 00: System Common Table as shown below. Group No. in which the error is occurring presently is indicated in ITEM 24. Those in the past are indicated in ITEM 35.

GROUP 00: SYSTEM COMMON TABLE

ITEM	MDFY	DATA INPUT	DISPLAY	CONTENTS
12	IND		NNN%	■ CONTROL LOAD RATE INDICATION (%)
13	●	0	NNN%	■ MAX. CONTROL LOAD RATE INDICATION (%) Reset when "0" is entered.
				■ SYSTEM STATUS INDICATION (error indication)
21	IND		ALLRIGHT GROUP NN	• EEPROM Data Base Failed All blocks proved normal Abnormal block No. indication (NN: GROUP No.)
22	IND		PV NORMAL PV ABNORMAL	• PV Abnormality (OR output with PV1/PV2) (PV input H/L alarm status in the field terminal block indicated) PV proved normal PV proved abnormal
23	IND		MV NORMAL MV ABNORMAL	• MV Feedback Abnormality (OR output with MV1/MV2) (deviation alarm status of MV check input and MV output in the field terminal block indicated) MV feedback proved normal MV feedback proved abnormal
24	IND		ALLRIGHT GROUP NN	• Block Abnormality (GROUP No. indicated) All blocks proved normal Abnormal block No. indication (NN: GROUP No.)
25	IND		LOAD: RIGHT LOAD: OVER	• Control Overload Appropriate control load Control overload "LOAD: OVER" is reset to "LOAD: RIGHT" when "0" is set in GROUP 00 / ITEM 40 (CONTROL CYCLE SWITCHING FLAG).
35	IND		ALLRIGHT GROUP NN	• Abnormal FB No. hold All blocks proved normal Abnormal block No. indication (NN: GROUP No.)
36	IND		ER:NN	• Abnormality contents hold Abnormal block contents (NN)
95	▲	1	BLOCK RELEASE (initial display *)	■ DELETE MODEL NO. COMMAND Group 00, 01, 04, 05 or 80 are not deleted.

● = Always modifiable ▲ = Modifiable in PROGRAM mode

■ FUNCTION BLOCK ERROR CODES

Once Group No. in which an error is occurring presently, you can access error information in ITEM 02 of the identified GROUP.

ERROR ID	CONTENTS
ER : 00	Normal
ER : 01	Connection terminal 1 undefined
ER : 02	Connection terminal 2 undefined
ER : 03	Connection terminal 3 undefined
ER : 04	Connection terminal 4 undefined
ER : 05	Connection terminal 5 undefined
ER : 06	Connection terminal 6 undefined
ER : 07	Connection terminal 7 undefined
ER : 08	Connection terminal 8 undefined
ER : 09	Connection terminal 9 undefined
ER : 10	Computation error: Divided by '0'
ER : 11	Computation error: Result out of range *1
ER : 20	Communication terminal: Not received
ER : 21	Communication terminal: Connected external device error
ER : 22	Connected internal device error
ER : 70	Illegal block combination
ER : 80	Sequence error: Illegal command
ER : 81	Sequence error: Undefined connection terminal
ER : 87	Sequence error: Non-registered step
ER : 88	Sequence error: Register overflow
ER : 89	Sequence error: One-shot overflow
ER : 90	EEPROM data failed *2

*1. $-32767 < \text{Computation Result} < -32768$

*2. Red RUN lamp turns on and error message is indicated when the EEPROM data-base is destroyed. When this happens, process either of the following:

- (1) In PROGRAM mode, write '1' in GROUP 00 / ITEM 95 to execute BLOCK RELEASE.
- (2) Connect the Loop Builder Software (model: SFEW3E).
Execute EEPROM Clear and download a new loop configuration.

Appx 4. MODBUS FUNCTIONS SC200/210

Appx 4.1. SUPPORTED FUNCTIONS

DATA & CONTROL FUNCTIONS

CODE	FUNCTION	DESCRIPTION
01	Read Coil Status	Digital output from the slave
03	Read Holding Registers	General purpose register within the slave
05	Force Single Coil	Digital output from the slave
06	Preset Single Register	General purpose register within the slave
15	Force Multiple Coils	Digital output from the slave
16	Preset Multiple Registers	General purpose register within the slave

Appx 4.2. ADDRESS REGISTERS ASSIGNMENTS

R: Read, R/W: Read and Write

CAUTION

DO NOT write while the configuration mode is set to the SFEW. Write only during the front panel config. mode or the SCCFG mode.

LOOP 1

REGISTER	PARAMETER	R/W	DESCRIPTION
40001	PV	R	Process value (-15.00 to 115.00%, Data range -1500 to 11500)
40002	SP	R/W	Setpoint (-15.00 to 115.00%, Data range -1500 to 11500) (±32.000, Data range ±32000 for Ratio Setting)
40003	MV	R/W	Manipulated value (±115.00%, Data range ±11500)
40004	PB	R/W	Proportional band (0 to 1000%, Data range 0 to 1000)
40005	TI	R/W	Integral time (0.00 to 100.00 minutes, Data range 0 to 10000)
40006	TD	R/W	Derivative time (0.00 to 10.00 minutes, Data range 0 to 1000)
40007	PH	R/W	PV high alarm setpoint (-15.00 to 115.00%, Data range -1500 to 11500)
40008	PL	R/W	PV low alarm setpoint (-15.00 to 115.00%, Data range -1500 to 11500)
40009	DL	R/W	Deviation alarm setpoint (0.00 to 115.00%, Data range 0 to 11500)
40010	MH	R/W	MV high limit (±115.00%, Data range ±11500)
40011	ML	R/W	MV low limit (±115.00%, Data range ±11500)
40012	RH	R/W	Range high limit (±32000, Data range ±32000)
40013	RL	R/W	Range low limit (±32000, Data range ±32000)
40014	DP	R/W	Decimal point position (0 to 5, Data range 0 to 5)
1	C/L	R/W	Cascade / Local (0: Local, 1: Cascade)
2	A/M	R/W	Auto / Manual (0: Manual, 1: Auto)
3	PHA	R	PV high alarm (0: Normal, 1: Alarm)
4	PLA	R	PV low alarm (0: Normal, 1: Alarm)
5	----	----	Reserved (DO NOT WRITE)
6	MD	R/W	MV reverse indication (0: Direct, 1: Reverse)

LOOP 2

REGISTER	PARAMETER	R/W	DESCRIPTION
40101	PV	R	Process value (-15.00 to 115.00%, Data range -1500 to 11500)
40102	SP	R/W	Set point (-15.00 to 115.00%, Data range -1500 to 11500) (±32.000, Data range ±32000 for Ratio Setting)
40103	MV	R/W	Manipulated value (±115.00%, Data range ±11500)
40104	PB	R/W	Proportional band (0 to 1000%, Data range 0 to 1000)
40105	TI	R/W	Integral time (0.00 to 100.00 minutes, Data range 0 to 10000)
40106	TD	R/W	Derivative time (0.00 to 10.00 minutes, Data range 0 to 1000)
40107	PH	R/W	PV high alarm setpoint (-15.00 to 115.00%, Data range -1500 to 11500)
40108	PL	R/W	PV low alarm setpoint (-15.00 to 115.00%, Data range -1500 to 11500)
40109	DL	R/W	Deviation alarm setpoint (0.00 to 115.00%, Data range 0 to 11500)
40110	MH	R/W	MV high limit (±115.00%, Data range ±11500)
40111	ML	R/W	MV low limit (±115.00%, Data range ±11500)
40112	RH	R/W	Range high limit (±32000, Data range ±32000)
40113	RL	R/W	Range low limit (±32000, Data range ±32000)
40114	DP	R/W	Decimal point position (0 to 5, Data range 0 to 5)
101	C/L	R/W	Cascade / Local (0: Local, 1: Cascade)
102	A/M	R/W	Auto / Manual (0: Manual, 1: Auto)
103	PHA	R	PV high alarm (0: Normal, 1: Alarm)
104	PLA	R	PV low alarm (0: Normal, 1: Alarm)
105	----	----	Reserved (DO NOT WRITE)
106	MD	R/W	MV reverse indication (0: Direct, 1: Reverse)

COMMUNICATION TERMINAL (ANALOG)

REGISTER	PARAMETER	R/W	DESCRIPTION
40301	Gr11 A1	R/(W)	Group 11, Analog terminal 1 (-15.00 to 115.00%, Data range -1500 to 11500)
40302	Gr11 A2	R/(W)	Group 11, Analog terminal 2 (-15.00 to 115.00%, Data range -1500 to 11500)
:	:	:	:
40331	Gr26 A1	R/(W)	Group 26, Analog terminal 1 (-15.00 to 115.00%, Data range -1500 to 11500)
40332	Gr26 A2	R/(W)	Group 26, Analog terminal 2 (-15.00 to 115.00%, Data range -1500 to 11500)

Read only for AO Send Terminal.

Read/Write for AI Receive Terminal (Set ITEM 11 to FE)

COMMUNICATION TERMINAL (DISCRETE)

REGISTER	PARAMETER	R/W	DESCRIPTION
301	Gr11 D1	R/(W)	Group 11, Discrete terminal 1
:	:	:	:
332	Gr11 D32	R/(W)	Group 11, Discrete terminal 32
:	:	:	:
781	Gr26 D1	R/(W)	Group 26, Discrete terminal 1
:	:	:	:
812	Gr26 D32	R/(W)	Group 26, Discrete terminal 32

Read only for DO Send Terminal.

Read/Write for DI Receive Terminal (Set ITEM 11 to FE)

Either of AO Send, AI Receive, DO Send, DI Receive Terminal can be assigned to each Group.

FIELD TERMINAL

REGISTER	PARAMETER	R/W	DESCRIPTION
40901	PV1	R	PV1 input (-15.00 to 115.00%, Data range -1500 to 11500)
40902	PV2	R	PV2 input (-15.00 to 115.00%, Data range -1500 to 11500)
40903	AI1	R	AI1 input (-15.00 to 115.00%, Data range -1500 to 11500)
40904	AI2	R	AI2 input (-15.00 to 115.00%, Data range -1500 to 11500)
40905	AI3	R	AI3 input (-15.00 to 115.00%, Data range -1500 to 11500)
40906	AI4	R	AI4 input (-15.00 to 115.00%, Data range -1500 to 11500)
40907	MV1	R	MV1 output (-15.00 to 115.00%, Data range -1500 to 11500)
40908	MV2	R	MV2 output (-15.00 to 115.00%, Data range -1500 to 11500)
40909	AO1	R	AO1 output (-15.00 to 115.00%, Data range -1500 to 11500)
40910	AO2	R	AO2 output (-15.00 to 115.00%, Data range -1500 to 11500)
40911	PI1	R	PI1 input (0 to 9999, Data range 0 to 9999)
40912	PI2	R	PI2 input (0 to 9999, Data range 0 to 9999)
40913	PI3	R	PI3 input (0 to 9999, Data range 0 to 9999)
40914	PI4	R	PI4 input (0 to 9999, Data range 0 to 9999)
40915	PI5	R	PI5 input (0 to 9999, Data range 0 to 9999)
40916	PI6	R	PI6 input (0 to 9999, Data range 0 to 9999)
40917	FN1	R	FN1 indication (-15.00 to 115.00%, Data range -1500 to 11500)
40918	FN2	R	FN2 indication (-15.00 to 115.00%, Data range -1500 to 11500)
40919	FN3	R	FN3 indication (-15.00 to 115.00%, Data range -1500 to 11500)
40920	FN4	R	FN4 indication (-15.00 to 115.00%, Data range -1500 to 11500)
901	DI1	R	DI1 input
902	DI2	R	DI2 input
903	DI3	R	DI3 input
904	DI4	R	DI4 input
905	DI5	R	DI5 input
906	DO1	R	DO1 output
907	DO2	R	DO2 output
908	DO3	R	DO3 output
909	DO4	R	DO4 output
910	DO5	R	DO5 output
911	RUN	R	RUN contact (0: Error, 1: Normal)
912	AL1	R	AL1 lamp
913	AL2	R	AL2 lamp
914	AL3	R	AL3 lamp
915	AL4	R	AL4 lamp
916	DI6	R	DI6 input

Read only for output data. Use Communication Terminal to write.

SYSTEM

REGISTER	PARAMETER	R/W	DESCRIPTION	EQUIVALENT TO
1001	MAINTE	R	Maintenance status (0 in the monitor mode at GR 02 and GR 03 ITEM 01, 1 in others)	----
1002	RUN	R	Control status (0: Run, 1: Stop)	GR 00 ITEM 02
1003	EEPERR	R	EEPROM data base failed (0: Normal, 1: Error)	GR 00 ITEM 21
1004	PVERR	R	PV abnormality (0: Normal, 1: Error)	GR 00 ITEM 22
1005	MVAERR	R	MV feedback abnormality (0: Normal, 1: Error)	GR 00 ITEM 23
1006	MODERR	R	Function block abnormality (0: Normal, 1: Error)	GR 00 ITEM 24
1007	OVERLOAD	R	Control overload (0: Normal, 1: Overload)	GR 00 ITEM 25
1008	BACKRUN	R	Backup module status (0: Normal, 1: Error)	----
41001	EEPGRP	R	EEPROM error group (with EEPERR = 1)	----
41002	MODGRP	R	Function block error group (with MODERR = 1)	----
41003	BACKSTATUS	R	Backup status (0: Normal, 1: Standby, 1: Running)	----

NOTE

When more than one error has occurred among EEPERR, PVERR, MVAERR, MODERR and OVERLOAD, the most critical error is set with "1." Priority is given as: EEPERR > PVERR > MVAERR > MODERR > OVERLOAD.

For example, MODERR is set with "1" when both MODERR and OVERLOAD are in error. Then OVERLOAD turns to "1" after MODERR error is cancelled.

USER'S PARAMETER TABLE

REGISTER	PARAMETER	R/W	DESCRIPTION
41101	PR01	R/W	DATA 01 (± 32000 , Data range ± 32000)
41102	PR02	R/W	DATA 02 (± 32000 , Data range ± 32000)
41103	PR03	R/W	DATA 03 (± 32000 , Data range ± 32000)
41104	PR04	R/W	DATA 04 (± 32000 , Data range ± 32000)
41105	PR05	R/W	DATA 05 (± 32000 , Data range ± 32000)
41106	PR06	R/W	DATA 06 (± 32000 , Data range ± 32000)
41107	PR07	R/W	DATA 07 (± 32000 , Data range ± 32000)
41108	PR08	R/W	DATA 08 (± 32000 , Data range ± 32000)
41109	PR09	R/W	DATA 09 (± 32000 , Data range ± 32000)
41110	PR10	R/W	DATA 10 (± 32000 , Data range ± 32000)
41111	PR11	R/W	DATA 11 (± 32000 , Data range ± 32000)
41112	PR12	R/W	DATA 12 (± 32000 , Data range ± 32000)
41113	PR13	R/W	DATA 13 (± 32000 , Data range ± 32000)
41114	PR14	R/W	DATA 14 (± 32000 , Data range ± 32000)
41115	PR15	R/W	DATA 15 (± 32000 , Data range ± 32000)
41116	PR16	R/W	DATA 16 (± 32000 , Data range ± 32000)
41117	PR17	R/W	DATA 17 (± 32000 , Data range ± 32000)
41118	PR18	R/W	DATA 18 (± 32000 , Data range ± 32000)
41119	PR19	R/W	DATA 19 (± 32000 , Data range ± 32000)
41120	PR20	R/W	DATA 20 (± 32000 , Data range ± 32000)
41121	PR21	R/W	DATA 21 (± 32000 , Data range ± 32000)
41122	PR22	R/W	DATA 22 (± 32000 , Data range ± 32000)
41123	PR23	R/W	DATA 23 (± 32000 , Data range ± 32000)
41124	PR24	R/W	DATA 24 (± 32000 , Data range ± 32000)
41125	PR25	R/W	DATA 25 (± 32000 , Data range ± 32000)
41126	PR26	R/W	DATA 26 (± 32000 , Data range ± 32000)
41127	PR27	R/W	DATA 27 (± 32000 , Data range ± 32000)
41128	PR28	R/W	DATA 28 (± 32000 , Data range ± 32000)
41129	PR29	R/W	DATA 29 (± 32000 , Data range ± 32000)
41130	PR30	R/W	DATA 30 (± 32000 , Data range ± 32000)
41131	PR31	R/W	DATA 31 (± 32000 , Data range ± 32000)
41132	PR32	R/W	DATA 32 (± 32000 , Data range ± 32000)
41133	PR33	R/W	DATA 33 (± 32000 , Data range ± 32000)
41134	PR34	R/W	DATA 34 (± 32000 , Data range ± 32000)
41135	PR35	R/W	DATA 35 (± 32000 , Data range ± 32000)
41136	PR36	R/W	DATA 36 (± 32000 , Data range ± 32000)
41137	PR37	R/W	DATA 37 (± 32000 , Data range ± 32000)
41138	PR38	R/W	DATA 38 (± 32000 , Data range ± 32000)
41139	PR39	R/W	DATA 39 (± 32000 , Data range ± 32000)
41140	PR40	R/W	DATA 40 (± 32000 , Data range ± 32000)

Appx 4.3. EXCEPTION CODES

EXCEPTION CODES

CODE	EXCEPTION	DESCRIPTION
01	Illegal Function	Function code is not allowable for the slave.
02	Illegal Data Address	Address is not allowable within the slave.
03	Illegal Data Value	Data is not valid for the function.

Appx 5. DIGITAL DISPLAY ERROR MESSAGES

When more than one error has occurred at once, the most critical error is indicated.

MESSAGE	DESCRIPTION	PRIORITY
ERROR: EEPROM database	Equivalent to GROUP 00 ITEM 21	HIGH ↓ LOW
ERROR: PV	Equivalent to GROUP 00 ITEM 22	
ERROR: MV feedback	Equivalent to GROUP 00 ITEM 23	
ERROR: Function block	Equivalent to GROUP 00 ITEM 24	
ERROR: Control overload	Equivalent to GROUP 00 ITEM 25	
ERROR: Modbus communication	Modbus communication module error (SC200/210)	
ERROR: Backup module	Backup error (SC110/210)	

RUN CONTACT, RUN INDICATOR AND ERROR DISPLAY

FUNCTION	ERROR MESSAGE	RUN CONTACT	RUN INDICATOR	REFER TO
EEPROM database destroyed	ERROR: EEPROM database	OFF	Red	*1
PV error	ERROR: PV	ON	Green	*2
MV feedback error	ERROR: MV feedback	ON	Green	*3
Function block error	ERROR: Function block	ON	Amber	*4
Control overload	ERROR: Control overload	ON	Green	*5
Nestbus communication error	ERROR: Function block	OFF	Amber	*6
Comm. error between control and I/O	ERROR: Function block	OFF	Amber	*7
Comm. error between LCD and extension	ERROR: Modbus communication	ON	Green	
Backup module error	ERROR: Backup module	ON	Green	
Comm. error between control and LCD	-	OFF	Last display color	*8
Control status error	-	ON	RUN/STOP	*9
RUN contact forced OFF	-	OFF	Green	*10

*1: Function Block List Group [00], Item 21 "GROUP NN" (NN = group number)

*2: Function Block List Group [00], Item 22 "PV ABNORMAL"

*3: Function Block List Group [00], Item 23 "MV ABNORMAL"

*4: Function Block List Group [00], Item 24 "GROUP NN" NN (NN = group number)

*5: Function Block List Group [00], Item 25 "LOAD: OVER"

*6: Function Block List "Di receive terminal" and "Ai receive terminal" reception time-out (error number 21)

*7: Function Block List reception time-out to a "field terminal" (error number 22).

*8: "Communication error" dialogue appears.

*9: Function Block List Group [00], Item 02

*10: Function Block List Group [05], Item 28 set to 1.

Appx 6. REVISION HISTORY

CHANGES FROM VERSION 1.3 TO 1.40

1. PC Configurator Cable available for configuration.
2. Function Block List “Model No. 58: Segment Linearizer” function was modified.
3. Function Block List “Model No. 64 Moving Average” function was modified.
4. High-speed pulse Pi6 can be used as Discrete input Di6.

CHANGES FROM VERSION 1.4 TO 1.5

1. TAG name, FN1 to FN4, can be displayed. (Maximum 4 characters)
2. Engineering unit value can be set in User's parameter table
3. Function Block List (EM-6460-B) “Model No. 17: rate-of-change limit” function was added.
4. Yellow bar on the right side blinks during program mode.
5. Error Status shows history log.
6. Function Block List (EM-6460-B): Error of RUN contact can be reset manually.
7. Backup starts, if 5 seconds after supplying power, the connection with main unit is not established.



Fuji Electric France S.A.S.

46 rue Georges Besse - ZI du brézet - 63039 Clermont ferrand

Tél : +33 4 7398 2698 - Fax : +33 4 7398 2699

Mail : sales.dpt@fujielectric.fr

web : www.fujielectric.fr

Fuji Electric can accept no responsibility for possible errors in catalogues, brochures and other printed material. Fuji Electric reserves the right to alter its products without notice. This also applies to products already on order provided that such alterations can be made without subsequential changes being necessary in specifications already agreed. All trademarks in this material are property of the respective companies. All rights reserved.
