



MONITOUCH V9 Series

V907xW OPERATING INSTRUCTIONS

Thank you for selecting the MONITOUCH V907xW series. Make sure that the delivered unit conforms to your requirements and check for any missing or damaged parts. Before using the unit, be sure to thoroughly read this document and the V9 Series Hardware Specifications manual to ensure proper operation.

Accessories

- V907xW OPERATING INSTRUCTIONS (this manual): 1 copy
Fixtures: 4 pcs.
Cable tie for securing USB cables: 1 pc.

Model

Table with columns for Model (V907xiW) and specifications (Screen size, Touch switch, Functional capabilities, Display specifications, Wireless LAN I/F, Extended LAN I/F, Power supply specifications).

* Only for displaying "picture" images and 3D parts. All other content is displayed using 65,536 colors.

Notes on Safe Usage

This document describes various precautions categorized under the following two levels with the signal words "Danger" and "Caution."

Table with 2 columns: Signal word (DANGER, CAUTION) and Description of hazardous situations.

Note that even items indicated with CAUTION may also result in a serious accident.

- DANGER: Never use the output function of MONITOUCH for operations that may threaten human life or cause damage to the system.
CAUTION: Check the appearance of the unit after unpacking. Do not use the unit if any damage or deformation is found.

- Be sure to remove the protective sheet that is attached to the touch panel surface at delivery before use.
Use MONITOUCH with the protective sheet attached may result in incorrect touch switch activation.

Notes on LCD

- Tiny spots (dark or luminescent) may appear on the display due to the liquid crystal characteristics. Please note that this is not a fault or malfunction of MONITOUCH.

UL/cUL Approval

The V907xW series is a UL/cUL-approved product. This product complies with the following two standards (File No.: E313548 (UL508)).

- UL 508 Industrial Control Equipment
CSA-C22.2 No. 142-M1987 Process Control Equipment

UL Listing Application for Systems Equipped with MONITOUCH

- The back panel of MONITOUCH is not an approved enclosure. For UL listing application, embed MONITOUCH in your system and configure an enclosure so that the entire system will be UL-approved.
Use MONITOUCH indoors only.
For use on a flat surface of an indoor only Type 1, 4X, 12 or 13 enclosure.
Use a bare cable for wiring the power supply.

Table with columns: Screw size, Tightening torque, Power cable. Includes AWG16 to AWG14, Rated temperature 60 °C.

- Always use a Class 2 power supply for the 24 VDC power unit.

CE Marking

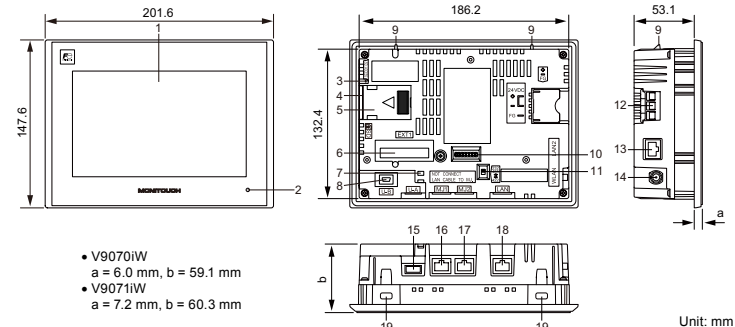
- The V907xW series complies with the following EMC directives, RoHS directives and RE directives*.
EN61000-6-2, EN61000-6-4, EN50581
The V907xW series is identified as a class-A product in industrial environments. In the case of use in a domestic environment, the unit is likely to cause electromagnetic interference. Preventive measures should thereby be taken appropriately.

General Specifications

Large table with columns: Item, V9070iW, V9071iW. Includes Conformance Standards, Rated Voltage, Acceptable Voltage Range, Power Consumption, etc.

- *1 Only for wireless LAN model. Regarding Radio Act and wireless license, refer to "About Wireless LAN on V9 Advanced Model" instruction manual.
*2 Use MONITOUCH in an environment with a wet-bulb temperature of 39 °C or less.
*3 This indicates the distribution section to which the unit is intended to be connected to within the path between the distribution of the public power network and machinery in the facility.
*4 This is an index that expresses the degree of conductive contamination in the environment where MONITOUCH is used.
*5 Even when the mounting panel thickness is within the specified range, the panel itself may warp depending on the material and size of the mounting panel.

Names of Components and Dimensions



- 1. Display
2. Power lamp
3. SD card access LED
4. SD card slot (SD)
5. Battery holder
6. Communication interface connector (EXT1)
7. USB cable clamp hole
8. USB mini-B port (U-B)
9. Fall prevention tabs
10. DIP switches
11. Slide switch
12. Power supply terminal block
13. Extended LAN connector (LAN2)
14. Connector for dipole antenna with wireless LAN (WLAN) *1
15. USB-A port (U-A)
16. Modular jack (MJ1)
17. Modular jack (MJ2)
18. LAN connector (LAN)
19. Mounting holes

*1 Only for wireless LAN model

Modular Jack (MJ1)

The MJ1 connector is used for serial communication (RS-232C/RS-485) with an external device and screen data transfer.

Table for MJ1 connector with columns: Pin No., Signal, Description, Pin No., Signal, Description.

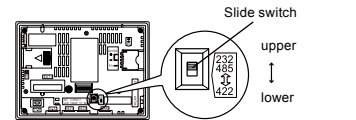
*1 For MJ1 and MJ2, the maximum allowable current is 150 mA in total.

Modular Jack (MJ2)

The MJ2 connector is used for serial communication (RS-232C/RS-485 or RS-422) with an external device.

Table for MJ2 connector with columns: Pin No., Signal, Description, Slide switch.

- *1 The signal can be set by the slide switch. (Upon delivery : upper position)
Upper position : RS-232C/RS-485 (2-wire connection)
Lower position : RS-422 (4-wire connection)
*2 For MJ1 and MJ2, the maximum allowable current is 150 mA in total.



LAN Connector (LAN) / Extended LAN Connector (LAN2)

The LAN connector is used for Ethernet communication (100BASE-TX, 10BASE-T). Specification: IEEE802.3 (u)-compliant, UDP/IP and TCP/IP support, Auto-MDIX and Auto-Negotiation function support

Table with 2 columns: Signal word (CAUTION) and Description (Do not connect any peripheral device that will carry excess voltage to the LAN connector).

For more information on the LAN connectors and cables, refer to the separate V9 Series Hardware Specifications manual.

Connector for Dipole Antenna with Wireless LAN (WLAN) Only for wireless LAN model

This connector is used for external dipole antenna with wireless LAN, "V9-ANT" (optional). Specification: Reverse SMA jack

For more information on using wireless LAN, refer to the separate V9 Series Hardware Specifications manual.

USB Ports (U-A/U-B)

These ports are used for connecting USB devices and a printer or transferring screen programs (USB mini-B only). Specification: Compliant with USB version 2.0

For more information on using USB ports and securing cables, refer to the separate V9 Series Hardware Specifications manual.

DIP Switches

The dip switch settings are as follows. (The following figure shows the DIP switch settings upon delivery.) Turn the power off before changing any DIP switch settings.

Table for DIP Switches with columns: No., Description, No., Description. Includes ON/OFF indicators and settings for storage upload, test screen, and terminal resistance.

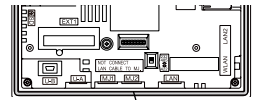
For more information, refer to the separate V9 Series Hardware Specifications manual.

Mounting Procedure

Mounting Procedure

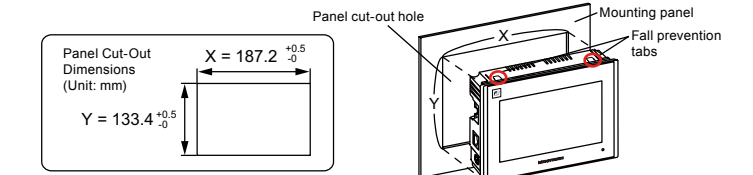
- 1. Place the V9 series unit on a flat surface with the display facing down and insert the provided waterproof gasket into the groove around the unit.

Table with 2 columns: Signal word (CAUTION) and Description (The unit will not be waterproof if the waterproof gasket is not correctly inserted into the groove).



Waterproof gasket

- 2. Mount the V9 series unit into the mounting panel (maximum thickness of 4.0 mm) while paying attention to the fall prevention tabs.
The V9 series unit can be mounted in upright, 90° left, and 90° right orientations.



- 3. Insert two of the provided fixtures into the mounting holes at the top and bottom of the V9 series unit and tighten them with the tightening screws to secure the unit in place. (Tightening torque: 5.31 lbf-in (0.6 N·m))
Ground the mounting panel to prevent any buildup of static electricity.

Mounting Angle

Install the unit within the angle range of 15 to 135 degrees. Note that mounting angle will differ depending on the mounting orientation and whether power is supplied externally to the modular jacks (MJ1/MJ2) or USB-A port. For more information, refer to the separate V9 Series Hardware Specifications manual.

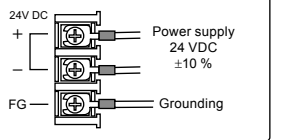
Electrical Wiring and Grounding

Table with 2 columns: Signal word (DANGER) and Description (Electrical shock hazard! Shut off the power before connecting the power supply cable).

Power Supply Cable Connection

- Connect the power supply cable to the terminal on the backside of the unit.
When connecting the power supply cable, tighten the terminal screws to the following torque.

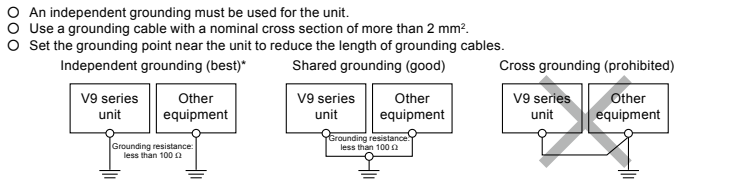
Table with columns: Screw size, Tightening torque. Includes values for M3.5 screws.



- The power supply must be used within allowable range of voltage fluctuation.
Use a power supply with low noise between cables and between the ground and cables.
Use the thickest power supply cable possible to minimize drops in voltage.
Keep power supply cables away from high-voltage, large-current carrying cables.
Be sure to attach the terminal cover to the terminal block.

Grounding

Table with 2 columns: Signal word (CAUTION) and Description (Be sure to establish a ground for MONITOUCH. (The level of grounding resistance should be less than 100 Ω.)



* If V9071iW (capacitive touch screen) is used, please create an exclusive ground.

Notes on Usage of Lithium Battery

The battery provides backup power to the user memory area in SRAM (non-volatile memory SL and SLd, logging/alarm data storage etc.) as well as the built-in clock.

Table with 2 columns: Signal word (CAUTION) and Description (A battery is already installed upon delivery).

For more information on battery specifications, replacement, and disposal, refer to the separate V9 Series Hardware Specifications manual.

Note on the Directive 2006/66/EC

- The symbol mark on the right is valid for countries in the European Union only.
The symbol mark on the right is according to the Directive 2006/66/EC Article 20 Information for end-users and Annex II.
The symbol mark on the right means that battery, at the end-of-life, should be disposed of separately from your household waste.
If a chemical symbol is printed beneath the symbol on the right, this chemical symbol means that the battery contains a heavy metal at a certain concentration.
This will be indicated as follows:
Hg: mercury (0.0005 %), Cd: cadmium (0.002 %), Pb: lead (0.004 %)
In the European Union, there are separate collection systems for used batteries. Please dispose of batteries correctly at your local community waste collection/recycling center.



Hakko Electronics Co., Ltd. 890-1, Kamikashiwano-machi, Hakusan-shi, Ishikawa, 924-0035 Japan. TEL: +81-76-274-2144 FAX: +81-76-274-5136. URL: http://www.monitouch.com. Importer in Europe: Fuji Electric Europe GmbH, Goethering 58, 63067 Offenbach / Main, Germany

