

## REMOTE SEAL TRANSMITTERS

### DATA SHEET

### FKB, FKD, FKM...6

FKB, FKD and FKM models of the FCX-AIV series of pressure transmitters accurately measures a gauge, a differential or an absolute pressure and transmits a proportional 4-20 mA output signal.

FCX AIV transmitters use a unique micro-capacitive silicon sensor in combination with a state-of-the-art digital signal processing to provide exceptional performances in terms of accuracy and stability.

FCX-A IV series of pressure transmitters comply with Safety Integrity Level 2 or 3 according to IEC 61508 and IEC 61511 standards.

### FEATURES

#### 1. High accuracy

The Fuji Electric's micro-capacitive silicon sensor provides in standard  $\pm 0,065\%$  accuracy for differential and gauge transmitter models for all elevated or suppressed calibration ranges without additional adjustments.

#### 2. Minimum inventory and design

Electronics parts, local indicators and electronics housing are interchangeable among all FCX-A IV transmitters.

Fuji Electric remote seals design are based on a welded conception that provides a reduced and optimized volume flange to guarantee a perfect vacuum tightness and high pressure services.

#### 3. Minimum environmental influence

The Advanced Floating Cell technology provides a high immunity against temperature variations and overpressure commonly found in the process industry and substantially reduces the overall measurement error.

#### 4. HART 7 communication protocol

FCX-A IV series of pressure transmitters can communicate using the universal HART communication protocol.

By the use of the HART Device Description files, HART compatible devices can communicate with any FCX-A IV transmitter.

#### 5. Application flexibility

Various options are available to address most of the process industry applications, including:

- Full range of hazardous area approvals
- Built-in RFI filter and lightning arrester
- 5 digits local indicator with engineering unit
- Stainless steel electronics housing
- Wide selection of materials
- High temperature, high vacuum seals

#### 6. Programmable output Linearization Function

The output signal can be linearized using up to 14 pairpoints.

#### 7. Burnout current flexibility

The burnout current value can be adjusted in the ranges of [3.4 ; 3.8] and [20.8 ; 22.5] mA and can be compliant with NAMUR NE43 recommendations.

#### 8. Contactless local adjustment

An optional local configurator with 3 magnetic switches allows to configure the transmitter without opening the indicator cover (flameproof approvals for hazardous locations).



The magnetic pen is required to enable the 3 magnetic switches (Please refer to the "Accessories" section).

### FUNCTIONAL SPECIFICATIONS

#### Type:

- FKB : gauge pressure transmitter with remote seal
- FKD : differential pressure transmitter with remote seal
- FKM : absolute pressure transmitter with remote seal

#### Service:

Liquid, gas, or vapour

#### Span, range and overrange limit:

| Model   | Span limits |           | Range limits   |
|---------|-------------|-----------|----------------|
|         | Minimum     | Maximum   |                |
|         | FKD         |           |                |
|         | [kPa]       | [kPa]     | [kPa]          |
| FKD□□3  | 0.32        | 32        | ±32            |
| FKD□□5  | 1.3         | 130       | ±130           |
| FKD□□6  | 5           | 500       | ±500           |
| FKD□□8  | 30          | 3000      | ±3000          |
| FKD□□9* | 200         | 20000     | ±20000         |
|         | FKB         |           |                |
|         | [kPa]       | [kPa]     | [kPa]          |
| FKB□□1  | 1.3         | 130       | -100 to +130   |
| FKB□□2  | 5           | 500       | -100 to +500   |
| FKB□□3  | 30          | 3000      | -100 to +3000  |
| FKB□□4  | 100         | 10000     | -100 to +10000 |
| FKB□□5  | 500         | 50000     | -100 to +50000 |
|         | FKM         |           |                |
|         | [kPa abs]   | [kPa abs] | [kPa abs]      |
| FKM□□1  | 1.6         | 16        | 0 to +16       |
| FKM□□2  | 1.3         | 130       | 0 to +130      |
| FKM□□3  | 5           | 500       | 0 to +500      |
| FKM□□4  | 30          | 3000      | 0 to +3000     |
| FKM□□5  | 100         | 10000     | 0 to +10000    |

Remark: Span higher than 1/10 of the URL is recommended for optimal accuracy.

Important: For FKD□49, the maximum possible overload pressure on LP side must be  $\leq 100$  bar. The accuracy is not guaranteed when used with negative DP.

**Output signal:**

4-20 mA with HART communication protocol.

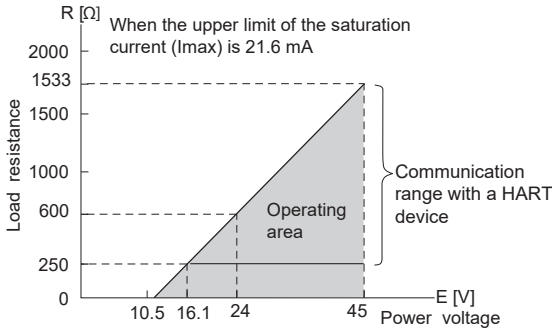
**Power supply:**

10.5 to 45 V DC at transmitter terminals.

10.5 to 32 V DC with the optional arrester.

Refer to hazardous location table for specific limitations

**Load limitations:** see figure below



Note 1 : The load resistance varies with the upper limit of the saturation current [I max]

$$R [\Omega] = \frac{E [V] - 10.5}{(I_{max} [mA] + 0.9) \times 10^{-3}}$$

Note 2 : For communication with a HART device, a minimum load of 250 Ω is required.

**Hazardous locations:**

| Marking (Digit 10 <sup>th</sup> ) | Protection type               |   |                     |
|-----------------------------------|-------------------------------|---|---------------------|
| <b>ATEX</b>                       | K                             | Intrinsic Safety "i"                                      |                     |
|                                   |                               | Ex II1 G/D  |                     |
|                                   |                               | Ex ia IIC T4 Ga (Ta: -40°C to +60°C)                      |                     |
|                                   |                               | Ex ia IIC T5 Ga (Ta: -40°C to +50°C)                      |                     |
|                                   |                               | Ex ia IIIC T <sub>200</sub> 135°C Da (Ta: -40°C to +60°C) |                     |
|                                   |                               | Ex ia IIIC T <sub>200</sub> 100°C Da (Ta: -40°C to +50°C) |                     |
|                                   |                               | Ui = 28Vdc, li = 110mA, Pi = 0.77W                        |                     |
|                                   |                               | Ci = 14.9nF (without optional Arrester)                   |                     |
|                                   |                               | Ci = 26.0nF (with optional Arrester)                      |                     |
|                                   |                               | Li = 0.181mH  |                     |
|                                   | IP66/67                       |   |                     |
|                                   | X                             | Flameproof Enclosure "d"                                  |                     |
|                                   |                               | Ex II2 G  |                     |
|                                   |                               | Ex db IIC T6...T4 Gb                                      |                     |
|                                   |                               | Temperature class   | Ambient temperature |
|                                   |                               | T6  | -40°C to +65°C      |
|                                   | T5                            | -40°C to +85°C  |                     |
|                                   | IP66/67                       |   |                     |
| M                                 | Combination (K) + (X) pending |   |                     |
| <b>IECEx</b>                      | T                             | Intrinsic Safety "i"                                      |                     |
|                                   |                               | Ex ia IIC T4 Ga (Ta: -40°C to +60°C)                      |                     |
|                                   |                               | Ex ia IIC T5 Ga (Ta: -40°C to +50°C)                      |                     |
|                                   |                               | Ex ia IIIC T <sub>200</sub> 135°C Da (Ta: -40°C to +60°C) |                     |
|                                   |                               | Ex ia IIIC T <sub>200</sub> 100°C Da (Ta: -40°C to +50°C) |                     |
|                                   |                               | Ui = 28Vdc, li = 110mA, Pi = 0.77W                        |                     |
|                                   |                               | Ci = 14.9nF (without optional Arrester)                   |                     |
|                                   |                               | Ci = 26.0nF (with optional Arrester)                      |                     |
|                                   |                               | Li = 0.181mH  |                     |
|                                   |                               | IP66/67   |                     |
|                                   | R                             | Flameproof Enclosure "d"                                  |                     |
|                                   |                               | Ex db IIC T6...T4 Gb                                      |                     |
|                                   |                               | Temperature class   | Ambient temperature |
|                                   |                               | T6  | -40°C to +65°C      |
|                                   |                               | T5  | -40°C to +85°C      |
|                                   | IP66/67                       |   |                     |
|                                   | N                             | Combination (T) + (R) pending                             |                     |

| cCSAus pending | J | Intrinsic Safety/Non-Incendive  |
|----------------|---|---|
|                |   | IS Class I Division 1 Groups ABCD Ex ia<br>Class II Groups EFG, Class III<br>NI Class I Division 2 Groups ABCD<br>T4 (-40°C ≤ Ta ≤ +60°C)<br>T5 (-40°C ≤ Ta ≤ +50°C)<br>Ui = 28Vdc, li = 110mA, Pi = 0.77W<br>Ci = 14.9nF (without optional Arrester)<br>Ci = 26.0nF (with optional Arrester)<br>Li = 0.181mH |
| E              |   | Flameproof Enclosure  |
|                |   | XP Class I Division 1 Groups CD<br>Class II Groups EFG, Class III   |
|                |   | T6 (-40°C ≤ Ta ≤ +65°C)<br>T5 (-40°C ≤ Ta ≤ +85°C)<br>T4 (-40°C ≤ Ta ≤ +60°C)   |
|                |   | Vmax = 45Vdc  |
|                |   | Combination (J) + (E)   |
| L              |   |   |

**Configuration:**

Configuration of the FCX-A IV series of pressure transmitters can be carried out by either using a HART device or the optional local configurator.

A third party HART device can be used in combination with Fuji Electric FCX-A IV HART Device Description files. (<https://fieldcommgroup.org>).

| Functions                     | HART Protocol |     | local configurator |     |
|-------------------------------|---------------|-----|--------------------|-----|
|                               | Display       | Set | Display            | Set |
| Tag Nb                        | v             | v   | v                  | v   |
| Model Nb                      | v             | v   | v                  | v   |
| Serial Nb & Software revision | v             | —   | v                  | —   |
| Engineering units             | v             | v   | v                  | v   |
| Upper Range Value             | v             | —   | v                  | —   |
| Measuring Range               | v             | v   | v                  | v   |
| Damping                       | v             | v   | v                  | v   |
| Output signal type            | Linear        | v   | v                  | v   |
|                               | Square Root   | v   | v                  | v   |
| Burnout current               | v             | v   | v                  | v   |
| Calibration                   | v             | v   | v                  | v   |
| Output Adjust                 | —             | v   | —                  | v   |
| Measuring Value               | v             | —   | v                  | —   |
| Self Diagnosis                | v             | —   | v                  | —   |
| External Adj Screw Lock       | v             | v   | v                  | v   |
| Transmitter Display           | v             | v   | v                  | v   |
| Linearization                 | v             | v   | v                  | v   |
| Rerange                       | v             | v   | v                  | v   |
| Saturation Current            | v             | v   | v                  | v   |
| Write Protect                 | v             | v   | v                  | v   |
| History                       |               |     |                    |     |
| – Calibration History         | v             | v   | v                  | v   |
| – Ambient T° History          | v             | —   | v                  | —   |

**Zero and span adjustment:**

Zero and span are remotely adjustable by a HART device or locally by the local configurator or the external adjustment screw.

**Damping:**

The damping time constant can be adjusted within the range of [0.04 to 32] seconds.

**Zero elevation/suppression:**

Zero can be adjusted within the range of ±100% of the URL of the sensor.

**Normal/reverse action:**

Selectable by range setting

**Local indicator:**

Optional 5-digits LCD unit or local configurator with 3 magnetic switches and push-buttons.

A magnetic pen is required to enable this local configurator function.

(Please refer to the ACCESSORIES section.)

**Saturation currents:**

Lower limit: 3.6 to 4.0mA, Default value: 3.8mA

Upper limit: 20.0 to 21.6mA, Default value: 20.8mA

**Burnout direction and output current:**

In the self-diagnostic functions detect a transmitter failure, the burnout function will drive the output signal to either "Output Hold", "Output Overscale" or "Output Underscale" modes.

When "Output Hold":

The output signal is held as the latest value just before the failure happens.

When "Output Overscale":

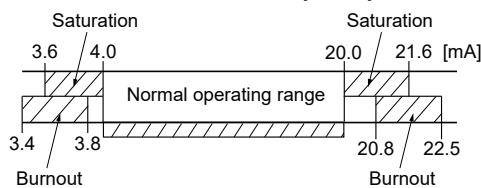
The output signal is set within the range of [20.8 to 22.5] mA, Default value: 21.6mA

When "Output Underscale":

The output signal is set within the range of [3.4 to 3.8] mA, Default value: 3.6mA

IEC 61511 considerations:

For safety applications, the "Output Hold" MUST NOT be used. Only "Output Overscale" and "Output Underscale" must be used to clearly notify a "failure" state.

**Loop-check/fixed output current:**

The transmitter can be configured to provide a constant output signal from 3.4 up to 22.5 mA.

**Temperature limit:**

Ambient:

-40 to +85°C

-20 to +80°C (with optional LCD unit)

-40 to +60°C (with optional arrester)

Please refer to the hazardous locations table for ambient temperature limitations according to the standard and type of protection.

Process:

According to the filling fluid. Please refer to remote seal datasheet.

Storage: -40 to +90°C

**Humidity limit:**

0 to 100% RH (Relative Humidity)

**PERFORMANCE SPECIFICATIONS**

Reference conditions, silicone oil fill, SS 316L isolating diaphragms, 4-20 mA analog output.

**Accuracy rating:**

(including linearity, hysteresis, and repeatability)

For spans > 1/10 of URL:

± 0.065% of calibrated span (FKB & FKD models)

± 0.1% of calibrated span for FKB□□5V6 model

± 0.2% of calibrated span for FKM model

For span < 1/10 of URL :

± (0.015 + 0.005 x URL/span) % of span (FKB & FKD model)

± (0.1 + 0.01 x URL/span) % of span (FKM model)

**Stability:**

±0.2% of upper range limit (URL) for 10 years.

**Linearity:**

0.05% of calibrated span (FKB & FKD models)

0.1% of calibrated span (FKM model)

**Temperature effect:**

Effect per 28°C change within the range of - 40°C and +85°C

FKM model :

Zero shift :

±(0.125 + 0.1 x URL/span) % of URL

Total effect :

±(0.15 + 0.1 x URL/span) % f URL

FKB & FKD models:

Zero shift:

±(0.075 + 0.0125% URL/span) %

Total effect:

±(0.095 + 0.0125 URL/span) %

**Static pressure effect (FKD model):**

Zero shift: ± 0.035% of URL for 69 bar

**Overrange effect (FKB & FKM models):**

Zero shift:

±0.2% of URL, for any overrange pressures (limited to the max. overrange pressure)

**Overrange effect (FKD model):**

Zero shift: ± 0.15% of URL / 160 bar limit

**Supply voltage effect:**

Less than 0.005% of calibrated span per 1 V

**RFI effect :**

< 0,2% of the URL for the frequencies from 20 up to 1000MHz with an electrical field strength of 10 V/m and housing covers in place. (Classification : 2-abc : 0.2% of span according SAMA PMC 33.1)

**Update rate:**

40 msec

**Turn on time:**

6 sec

**Response time: (At 63.3% of output signal without damping)**

Time constant: 300 msec (FKD span code "3")

Time constant: 200 msec (others spans and FKB)

Dead time:

60 msec

Response time = time constant + dead time

**Electromagnetic compatibility:**

FCX-A IV transmitters are in accordance with the following harmonized standards:

EN 61326-1

EN 61326-2-3

EN 61326-3-1

**Dielectric strength:**

500 V AC, 50/60 Hz 1 min., between circuit and earth (except with the optional arrester).

**Insulation resistance:**

More than 100 MΩ / 500 V DC.

**Internal resistance for external field indicator:**

12 Ω max (connected to test terminal CK+ and C K-)

**Pressure equipment directive (PED) 2014/68/EU:**

According to Article 4.3

## PHYSICAL SPECIFICATIONS

### Electrical conduit connections:

1/2-14 NPT, M20 × 1.5 or Pg13.5

### Process-wetted parts material:

Diaphragm :

SS 316L, Hastelloy-C, Monel, Tantalum, Titanium or Zirconium

Flange face :

SS 316L, Hastelloy-C, Monel, Tantalum, Titanium or Zirconium

Extension :

SS 316L, Hastelloy-C, Monel, Tantalum

### Non-wetted parts material:

Electronics housing:

Low copper die-cast aluminum alloy with polyester coating or SS 316.

Bolts and nuts:

Carbon Steel ( $P \leq 500$  bar)

SS 316L ( $P \leq 100$ bar)

SS 660 ( $P \leq 500$  bar)

Cell filling fluid :

Silicone oil

Mounting bracket: SS 316L

### Environmental protection:

IEC IP66 & IP67 and Type 4X

### Mounting:

DN50(2") pipe or wall mounting using the mounting bracket.

Rigid mounting without the mounting bracket.

### Mass {weight}:

Refer to outline dimensions according type and model.

### Diaphragm seal (s):

Refer to diaphragm seal specifications.

## OPTIONAL FEATURES

### Local indicator:

An optional 5 digits indicator with engineering units is available.

A local configurator can be carried out using the 3 magnetic switches and push-buttons.

A separately ordered magnet pen is required for adjustment using the magnetic switches. Please refer to the "Accessories" section.

### Arrester:

A built-in arrester protects the electronics from lightning surges.

Lightning surge immunity:  $\pm 4$  kV ( $1.2 \times 50 \mu\text{s}$ )

### Tag plate:

An extra stainless steel tag plate with customer tag data

is wired to the transmitter.

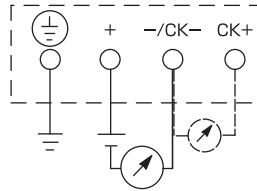
## ACCESSORIES

### Magnet pen:

To be used with the 3 push -buttons optional indicator.

Order code: ZZP\*TQ507742C1

## CONNECTION DIAGRAM



# MODEL CODE SYMBOLS -FKB-

| 1 | 2 | 3 | 4 | 5 | 6 | 7 | 8 | 9 | 10 | 11 | 12 | 13 | 14 | 15 | 16 | DESCRIPTION   |
|---|---|---|---|---|---|---|---|---|----|----|----|----|----|----|----|---|
| F | K | B |   |   |   | V | 6 |   |    |    |    | Y  |    | 0  |    |   |
|   |   |   |   |   |   |   |   |   |    |    |    |    |    |    |    | Type  |
|   |   |   |   |   |   |   |   |   |    |    |    |    |    |    |    | Gauge pressure transmitter with remote seal - Smart, 4-20 mA with HART communication protocol |
|   |   |   |   |   |   |   |   |   |    |    |    |    |    |    |    | Connections   |
|   |   |   |   |   |   |   |   |   |    |    |    |    |    |    |    | Conduit connection  |
|   |   |   |   |   |   |   |   |   |    |    |    |    |    |    |    | Enclosure type  |
|   |   |   |   |   |   |   |   |   |    |    |    |    |    |    |    | 1/2 - 14NPT   |
|   |   |   |   |   |   |   |   |   |    |    |    |    |    |    |    | Pg 13.5   |
|   |   |   |   |   |   |   |   |   |    |    |    |    |    |    |    | M 20x 1.5   |
|   |   |   |   |   |   |   |   |   |    |    |    |    |    |    |    | 1/2" - 14 NPT   |
|   |   |   |   |   |   |   |   |   |    |    |    |    |    |    |    | Pg 13.5   |
|   |   |   |   |   |   |   |   |   |    |    |    |    |    |    |    | M 20 x 1,5  |
|   |   |   |   |   |   |   |   |   |    |    |    |    |    |    |    | (1) Diaphragm seal rating   |
|   |   |   |   |   |   |   |   |   |    |    |    |    |    |    |    | PN25  |
|   |   |   |   |   |   |   |   |   |    |    |    |    |    |    |    | PN 20 - 150 lbs   |
|   |   |   |   |   |   |   |   |   |    |    |    |    |    |    |    | PN 50 - 300 lbs   |
|   |   |   |   |   |   |   |   |   |    |    |    |    |    |    |    | PN 40   |
|   |   |   |   |   |   |   |   |   |    |    |    |    |    |    |    | PN 16   |
|   |   |   |   |   |   |   |   |   |    |    |    |    |    |    |    | PN 100 - 600 lbs  |
|   |   |   |   |   |   |   |   |   |    |    |    |    |    |    |    | PN 150 - 900 lbs  |
|   |   |   |   |   |   |   |   |   |    |    |    |    |    |    |    | PN 250 - 1500 lbs   |
|   |   |   |   |   |   |   |   |   |    |    |    |    |    |    |    | PN 420 - 2500 lbs   |
|   |   |   |   |   |   |   |   |   |    |    |    |    |    |    |    | (2) Measuring range   |
|   |   |   |   |   |   |   |   |   |    |    |    |    |    |    |    | (3) 0 ... 0.013 to 1.3 barg / 0...0.19 to 18.85 psig  |
|   |   |   |   |   |   |   |   |   |    |    |    |    |    |    |    | 0 ... 0.05 to 5 barg / 0...0.73 to 72.5 psig  |
|   |   |   |   |   |   |   |   |   |    |    |    |    |    |    |    | 0 ... 0.3 to 30 barg / 0...4.35 to 435 psig   |
|   |   |   |   |   |   |   |   |   |    |    |    |    |    |    |    | 0 ... 1 to 100 barg / 0...14.5 to 1450 psig   |
|   |   |   |   |   |   |   |   |   |    |    |    |    |    |    |    | 0 ... 5 to 500 barg / 72.5 to 7251 psig   |
|   |   |   |   |   |   |   |   |   |    |    |    |    |    |    |    | (6) Design version  |
|   |   |   |   |   |   |   |   |   |    |    |    |    |    |    |    | Indicator   |
|   |   |   |   |   |   |   |   |   |    |    |    |    |    |    |    | Arrester  |
|   |   |   |   |   |   |   |   |   |    |    |    |    |    |    |    | none  |
|   |   |   |   |   |   |   |   |   |    |    |    |    |    |    |    | None  |
|   |   |   |   |   |   |   |   |   |    |    |    |    |    |    |    | none  |
|   |   |   |   |   |   |   |   |   |    |    |    |    |    |    |    | Yes   |
|   |   |   |   |   |   |   |   |   |    |    |    |    |    |    |    | digital, 0-100%   |
|   |   |   |   |   |   |   |   |   |    |    |    |    |    |    |    | None  |
|   |   |   |   |   |   |   |   |   |    |    |    |    |    |    |    | digital, Custom scale   |
|   |   |   |   |   |   |   |   |   |    |    |    |    |    |    |    | digital, 0-100%   |
|   |   |   |   |   |   |   |   |   |    |    |    |    |    |    |    | Yes   |
|   |   |   |   |   |   |   |   |   |    |    |    |    |    |    |    | digital, Custom scale   |
|   |   |   |   |   |   |   |   |   |    |    |    |    |    |    |    | digital, 0-100% (Local configurator)  |
|   |   |   |   |   |   |   |   |   |    |    |    |    |    |    |    | None  |
|   |   |   |   |   |   |   |   |   |    |    |    |    |    |    |    | digital, Custom scale (Local configurator)  |
|   |   |   |   |   |   |   |   |   |    |    |    |    |    |    |    | digital, 0-100% (Local configurator)  |
|   |   |   |   |   |   |   |   |   |    |    |    |    |    |    |    | Yes   |
|   |   |   |   |   |   |   |   |   |    |    |    |    |    |    |    | digital, Custom scale (Local configurator)  |
|   |   |   |   |   |   |   |   |   |    |    |    |    |    |    |    | (4) Hazardous location approvals  |
|   |   |   |   |   |   |   |   |   |    |    |    |    |    |    |    | None  |
|   |   |   |   |   |   |   |   |   |    |    |    |    |    |    |    | (4) ATEX - Flameproof   |
|   |   |   |   |   |   |   |   |   |    |    |    |    |    |    |    | ATEX - Intrinsic Safety   |
|   |   |   |   |   |   |   |   |   |    |    |    |    |    |    |    | (4) ATEX - Combination Flameproof and Intrinsic Safety  |
|   |   |   |   |   |   |   |   |   |    |    |    |    |    |    |    | pending   |
|   |   |   |   |   |   |   |   |   |    |    |    |    |    |    |    | (4) cCSAus - Explosion proof  |
|   |   |   |   |   |   |   |   |   |    |    |    |    |    |    |    | pending   |
|   |   |   |   |   |   |   |   |   |    |    |    |    |    |    |    | cCSAus - Intrinsic Safety and Non Incendive   |
|   |   |   |   |   |   |   |   |   |    |    |    |    |    |    |    | pending   |
|   |   |   |   |   |   |   |   |   |    |    |    |    |    |    |    | (4) cCSAus - Combination Explosion proof, Intrinsic Safety and Non Incendive                  |
|   |   |   |   |   |   |   |   |   |    |    |    |    |    |    |    | pending   |
|   |   |   |   |   |   |   |   |   |    |    |    |    |    |    |    | (4) IECEx - Flameproof  |
|   |   |   |   |   |   |   |   |   |    |    |    |    |    |    |    | IECEX - Intrinsic Safety  |
|   |   |   |   |   |   |   |   |   |    |    |    |    |    |    |    | (4) IECEx - Combination Flameproof and Intrinsic Safety                                       |
|   |   |   |   |   |   |   |   |   |    |    |    |    |    |    |    | pending   |
|   |   |   |   |   |   |   |   |   |    |    |    |    |    |    |    | (4) IECEx - ATEX - cCSAus - Explosion/Flameproof, Intrinsic Safety and Non Incendive          |
|   |   |   |   |   |   |   |   |   |    |    |    |    |    |    |    | pending   |
|   |   |   |   |   |   |   |   |   |    |    |    |    |    |    |    | (5) Mounting design   |
|   |   |   |   |   |   |   |   |   |    |    |    |    |    |    |    | Ambient temperature correction  |
|   |   |   |   |   |   |   |   |   |    |    |    |    |    |    |    | Capillary   |
|   |   |   |   |   |   |   |   |   |    |    |    |    |    |    |    | (6) Rigid - Long design (in line)   |
|   |   |   |   |   |   |   |   |   |    |    |    |    |    |    |    | Transmitter and diaphragm seal assembly   |
|   |   |   |   |   |   |   |   |   |    |    |    |    |    |    |    | (6) Rigid - Short design (90°)  |
|   |   |   |   |   |   |   |   |   |    |    |    |    |    |    |    | Capillary   |
|   |   |   |   |   |   |   |   |   |    |    |    |    |    |    |    | (6) Rigid - Long design (in line)   |
|   |   |   |   |   |   |   |   |   |    |    |    |    |    |    |    | Transmitter   |
|   |   |   |   |   |   |   |   |   |    |    |    |    |    |    |    | (6) Rigid - Short design (90°)  |

| 1 2 3 4 5 6 7 8 |   |   |  |  |  |   |   | 9 10 11 |  |  | 12 13 |  | 14 15 |  | 16  | DESCRIPTION                                   |                        |                       |                 |                            |      |      |  |
|-----------------|---|---|--|--|--|---|---|---------|--|--|-------|--|-------|--|-----|---|------------------------|-----------------------|-----------------|----------------------------|------|------|--|
| F               | K | B |  |  |  | V | 6 |         |  |  | Y     |  | 0     |  | (7) | Process cover bolting & Stainless steel parts |                        |                       |                 |                            |      |      |  |
|                 |   |   |  |  |  |   |   |         |  |  |       |  |       |  |     | Process cover bolting                         |                        | Stainless steel parts |                 |                            |      |      |  |
|                 |   |   |  |  |  |   |   |         |  |  |       |  |       |  |     | Bolting                                       | Operating pressure (p) | Tag plate             | Housing         |                            |      |      |  |
|                 |   |   |  |  |  |   |   |         |  |  |       |  |       |  |     | 1   | (6)                    |                       | None            | None                       |      |      |  |
|                 |   |   |  |  |  |   |   |         |  |  |       |  |       |  |     | 2   | (6)                    |                       | None            | p ≤ 50 bar                 | None | None |  |
|                 |   |   |  |  |  |   |   |         |  |  |       |  |       |  |     | 3   | (6)                    |                       |                 |                            | Yes  | Yes  |  |
|                 |   |   |  |  |  |   |   |         |  |  |       |  |       |  |     | 4   | (6)                    |                       |                 |                            | None | None |  |
|                 |   |   |  |  |  |   |   |         |  |  |       |  |       |  |     | Y   |                        |                       |                 |                            | Yes  | Yes  |  |
|                 |   |   |  |  |  |   |   |         |  |  |       |  |       |  |     | B   |                        |                       | Carbon steel    | 50 bar < p ≤ 500 bar       | None | None |  |
|                 |   |   |  |  |  |   |   |         |  |  |       |  |       |  |     | C   |                        |                       |                 |                            | Yes  | Yes  |  |
|                 |   |   |  |  |  |   |   |         |  |  |       |  |       |  |     | E   |                        |                       |                 |                            | None | None |  |
|                 |   |   |  |  |  |   |   |         |  |  |       |  |       |  |     | A   |                        |                       |                 |                            | Yes  | Yes  |  |
|                 |   |   |  |  |  |   |   |         |  |  |       |  |       |  |     | D   |                        |                       | SS 316L         | 50 bar < p ≤ 100 bar       | None | None |  |
|                 |   |   |  |  |  |   |   |         |  |  |       |  |       |  |     | F   |                        |                       |                 |                            | Yes  | Yes  |  |
|                 |   |   |  |  |  |   |   |         |  |  |       |  |       |  |     | G   |                        |                       |                 |                            | None | None |  |
|                 |   |   |  |  |  |   |   |         |  |  |       |  |       |  |     | H   |                        |                       |                 |                            | Yes  | Yes  |  |
|                 |   |   |  |  |  |   |   |         |  |  |       |  |       |  |     | J   |                        |                       | SS 660          | 50 bar < p ≤ 500 bar       | None | None |  |
|                 |   |   |  |  |  |   |   |         |  |  |       |  |       |  |     | K   |                        |                       |                 |                            | Yes  | Yes  |  |
|                 |   |   |  |  |  |   |   |         |  |  |       |  |       |  |     | L   |                        |                       |                 |                            | None | None |  |
|                 |   |   |  |  |  |   |   |         |  |  |       |  |       |  |     | Y   |                        |                       |                 |                            | Yes  | Yes  |  |
|                 |   |   |  |  |  |   |   |         |  |  |       |  |       |  |     |   |                        | 0                     |                 |                            |      |      |  |
|                 |   |   |  |  |  |   |   |         |  |  |       |  |       |  |     |   |                        |                       | Special options |                            |      |      |  |
|                 |   |   |  |  |  |   |   |         |  |  |       |  |       |  |     |   |                        | L                     | None            |                            |      |      |  |
|                 |   |   |  |  |  |   |   |         |  |  |       |  |       |  |     |   |                        | T                     | High accuracy   |                            |      |      |  |
|                 |   |   |  |  |  |   |   |         |  |  |       |  |       |  |     |   |                        | (8)                   | *               | special, no code available |      |      |  |

Notes\* :

- 1- The flange rating is according to the Maximum Working Pressure.
- 2- A Turn Down Ratio ≤ 10 is recommended for optimal performances.
- 3- For DN ≤ 50 please consult Fuji Electric regarding process conditions
- 4- Only with digit 4 = "T", "W", "6", "8"
- 5- For capillary version, the standard mounting bracket is provided. No mounting bracket with the rigid mounting design.
- 6- For rigid assembling, bolts and nuts are required. Please specify bolts and nuts material (12th digit) even if P ≤ 50 bar.
- 7- Standard cell filling fluid = silicone oil. Other filling fluids upon request.
- 8- When no code can be found in the current model code, place "\*" in the corresponding digit code as well as in the 16th digit.

# MODEL CODE SYMBOLS -FKD-

| 1 | 2 | 3 | 4 | 5 | 6 | 7 | 8 | 9 | 10 | 11 | 12 | 13 | 14 | 15 | 16  | DESCRIPTION  |
|---|---|---|---|---|---|---|---|---|----|----|----|----|----|----|---|--|
| F | K | D |   |   |   | V | 6 |   |    |    |    |    |    |    |   | Type   |
|   |   |   |   |   |   |   |   |   |    |    |    |    |    |    |   | Differential pressure transmitter with remote seal - Smart, 4-20 mA with HART communication protocol |
|   |   |   |   |   |   |   |   |   |    |    |    |    |    |    |   | Connections  |
|   |   |   |   |   |   |   |   |   |    |    |    |    |    |    |   | Conduit connection   |
|   |   |   |   |   |   |   |   |   |    |    |    |    |    |    |   | Enclosure type   |
|   |   |   |   |   |   |   |   |   |    |    |    |    |    |    |   | 1/2 - 14NPT<br>Pg 13.5<br>M 20x 1.5  |
|   |   |   |   |   |   |   |   |   |    |    |    |    |    |    |   | "L" shape  |
|   |   |   |   |   |   |   |   |   |    |    |    |    |    |    |   | 1/2" - 14 NPT<br>Pg 13.5<br>M 20 x 1.5   |
|   |   |   |   |   |   |   |   |   |    |    |    |    |    |    |   | "T" shape  |
|   |   |   |   |   |   |   |   |   |    |    |    |    |    |    |   | (1) Diaphragm seal rating  |
|   |   |   |   |   |   |   |   |   |    |    |    |    |    |    |   | PN25   |
|   |   |   |   |   |   |   |   |   |    |    |    |    |    |    |   | PN 20 - 150 lbs  |
|   |   |   |   |   |   |   |   |   |    |    |    |    |    |    |   | PN 50 - 300 lbs  |
|   |   |   |   |   |   |   |   |   |    |    |    |    |    |    |   | PN 40  |
|   |   |   |   |   |   |   |   |   |    |    |    |    |    |    |   | PN 16  |
|   |   |   |   |   |   |   |   |   |    |    |    |    |    |    |   | PN 100 - 600 lbs   |
|   |   |   |   |   |   |   |   |   |    |    |    |    |    |    |   | PN 150 - 900 lbs   |
|   |   |   |   |   |   |   |   |   |    |    |    |    |    |    |   | PN 250 - 1500 lbs  |
|   |   |   |   |   |   |   |   |   |    |    |    |    |    |    |   | PN 420 - 2500 lbs  |
|   |   |   |   |   |   |   |   |   |    |    |    |    |    |    |   | (2) Measuring range  |
|   |   |   |   |   |   |   |   |   |    |    |    |    |    |    |   | (3) 0 ... 3,2 to 320 mbar / 0...32 to 3200 mm WC   |
|   |   |   |   |   |   |   |   |   |    |    |    |    |    |    |   | (3) 0 ...13 to 1300mbar / 0...0.13 to 13 m WC  |
|   |   |   |   |   |   |   |   |   |    |    |    |    |    |    |   | 0 ...50 to 5000 mbar / 0...0.5 to 50 m WC  |
|   |   |   |   |   |   |   |   |   |    |    |    |    |    |    |   | 0...0.3 to 30 bar / 0...3 to 300 m WC  |
|   |   |   |   |   |   |   |   |   |    |    |    |    |    |    |   | 0...5 to 200 bar / 0...50 to 2000 m WC   |
|   |   |   |   |   |   |   |   |   |    |    |    |    |    |    |   | (6) Design version   |
|   |   |   |   |   |   |   |   |   |    |    |    |    |    |    |   | Indicator  |
|   |   |   |   |   |   |   |   |   |    |    |    |    |    |    |   | Arrester   |
|   |   |   |   |   |   |   |   |   |    |    |    |    |    |    |   | none   |
|   |   |   |   |   |   |   |   |   |    |    |    |    |    |    |   | None   |
|   |   |   |   |   |   |   |   |   |    |    |    |    |    |    |   | none   |
|   |   |   |   |   |   |   |   |   |    |    |    |    |    |    |   | Yes  |
|   |   |   |   |   |   |   |   |   |    |    |    |    |    |    |   | digital, 0-100%  |
|   |   |   |   |   |   |   |   |   |    |    |    |    |    |    |   | None   |
|   |   |   |   |   |   |   |   |   |    |    |    |    |    |    | digital, Custom scale                               |  |
|   |   |   |   |   |   |   |   |   |    |    |    |    |    |    |   | digital, 0-100% √ output   |
|   |   |   |   |   |   |   |   |   |    |    |    |    |    |    |   | Yes  |
|   |   |   |   |   |   |   |   |   |    |    |    |    |    |    | digital, 0-100%                                     |  |
|   |   |   |   |   |   |   |   |   |    |    |    |    |    |    |   | digital, Custom scale  |
|   |   |   |   |   |   |   |   |   |    |    |    |    |    |    |   | digital, 0-100% √ output   |
|   |   |   |   |   |   |   |   |   |    |    |    |    |    |    |   | None   |
|   |   |   |   |   |   |   |   |   |    |    |    |    |    |    | digital, 0-100% (Local configurator)                |  |
|   |   |   |   |   |   |   |   |   |    |    |    |    |    |    | digital, Custom scale (Local configurator)          |  |
|   |   |   |   |   |   |   |   |   |    |    |    |    |    |    |   | Yes  |
|   |   |   |   |   |   |   |   |   |    |    |    |    |    |    | digital, 0-100% (Local configurator)                |  |
|   |   |   |   |   |   |   |   |   |    |    |    |    |    |    |   | digital, Custom scale (Local configurator)   |
|   |   |   |   |   |   |   |   |   |    |    |    |    |    |    |   | digital, 0-100% (Local configurator)   |
|   |   |   |   |   |   |   |   |   |    |    |    |    |    |    |   | digital, Custom scale (Local configurator)   |
|   |   |   |   |   |   |   |   |   |    |    |    |    |    |    |   | (4) Hazardous location approvals   |
|   |   |   |   |   |   |   |   |   |    |    |    |    |    |    |   | None   |
|   |   |   |   |   |   |   |   |   |    |    |    |    |    |    |   | (4) ATEX - Flameproof  |
|   |   |   |   |   |   |   |   |   |    |    |    |    |    |    |   | ATEX - Intrinsic Safety  |
|   |   |   |   |   |   |   |   |   |    |    |    |    |    |    |   | (4) ATEX - Combination Flameproof and Intrinsic Safety   |
|   |   |   |   |   |   |   |   |   |    |    |    |    |    |    |   | pending  |
|   |   |   |   |   |   |   |   |   |    |    |    |    |    |    |   | (4) cCSAus - Explosion proof   |
|   |   |   |   |   |   |   |   |   |    |    |    |    |    |    |   | pending  |
|   |   |   |   |   |   |   |   |   |    |    |    |    |    |    |   | (4) cCSAus - Intrinsic Safety and Non Incendive  |
|   |   |   |   |   |   |   |   |   |    |    |    |    |    |    |   | pending  |
|   |   |   |   |   |   |   |   |   |    |    |    |    |    |    |   | (4) cCSAus -Combination Explosion proof, Intrinsic Safety and Non Incendive                          |
|   |   |   |   |   |   |   |   |   |    |    |    |    |    |    |   | pending  |
|   |   |   |   |   |   |   |   |   |    |    |    |    |    |    |   | (4) IECEx - Flameproof   |
|   |   |   |   |   |   |   |   |   |    |    |    |    |    |    |   | IECEX - Intrinsic Safety   |
|   |   |   |   |   |   |   |   |   |    |    |    |    |    |    |   | (4) IECEx - Combination Flameproof and Intrinsic Safety  |
|   |   |   |   |   |   |   |   |   |    |    |    |    |    |    |   | pending  |
|   |   |   |   |   |   |   |   |   |    |    |    |    |    |    |   | (4) IECEx - ATEX - cCSAus - Explosion/flameproof, Intrinsic Safety and Non Incendive                 |
|   |   |   |   |   |   |   |   |   |    |    |    |    |    |    |   | pending  |
|   |   |   |   |   |   |   |   |   |    |    |    |    |    |    |   | (5) Assembling design  |
|   |   |   |   |   |   |   |   |   |    |    |    |    |    |    |   | Capillary on HP side   |
|   |   |   |   |   |   |   |   |   |    |    |    |    |    |    |   | Capillary on HP & LP side  |
|   |   |   |   |   |   |   |   |   |    |    |    |    |    |    |   | Transmitter and diaphragm seal assembly  |
|   |   |   |   |   |   |   |   |   |    |    |    |    |    |    | (6) Rigid short design on HP & capillary on LP side |  |
|   |   |   |   |   |   |   |   |   |    |    |    |    |    |    |   | Capillary on HP side   |
|   |   |   |   |   |   |   |   |   |    |    |    |    |    |    |   | Transmitter  |
|   |   |   |   |   |   |   |   |   |    |    |    |    |    |    | Capillary on HP & LP side                           |  |

| 1                     | 2                                 | 3                     | 4         | 5 | 6 | 7 | 8 | 9 | 10 | 11 | 12 | 13 | 14 | 15 | 16 | DESCRIPTION   |                       |  |                       |  |         |                        |           |           |      |                 |      |      |     |  |      |     |     |  |              |                                   |      |      |     |  |      |     |     |  |        |                                   |      |      |     |  |      |     |     |  |        |                                   |      |      |     |  |      |     |     |  |
|-----------------------|-----------------------------------|-----------------------|-----------|---|---|---|---|---|----|----|----|----|----|----|----|---|-----------------------|--|-----------------------|--|---------|------------------------|-----------|-----------|------|-----------------|------|------|-----|--|------|-----|-----|--|--------------|-----------------------------------|------|------|-----|--|------|-----|-----|--|--------|-----------------------------------|------|------|-----|--|------|-----|-----|--|--------|-----------------------------------|------|------|-----|--|------|-----|-----|--|
| F                     | K                                 | D                     |           |   |   | V | 6 |   |    |    |    |    |    |    |    | (7) Process cover bolting & Stainless steel parts   |                       |  |                       |  |         |                        |           |           |      |                 |      |      |     |  |      |     |     |  |              |                                   |      |      |     |  |      |     |     |  |        |                                   |      |      |     |  |      |     |     |  |        |                                   |      |      |     |  |      |     |     |  |
|                       |                                   |                       |           |   |   |   |   |   |    |    |    |    |    |    |    | <table border="1"> <thead> <tr> <th colspan="2">Process cover bolting</th><th colspan="2">Stainless steel parts</th> </tr> <tr> <th>Bolting</th><th>Operating pressure (p)</th><th>Tag plate</th><th>Enclosure</th> </tr> </thead> <tbody> <tr> <td rowspan="4">None</td><td rowspan="4"><math>p \leq 50</math> bar</td><td>None</td><td>None</td> </tr> <tr> <td>Yes</td><td></td> </tr> <tr> <td>None</td><td>Yes</td> </tr> <tr> <td>Yes</td><td></td> </tr> <tr> <td rowspan="4">Carbon steel</td><td rowspan="4"><math>50 \text{ bar} &lt; p \leq 420</math> bar</td><td>None</td><td>None</td> </tr> <tr> <td>Yes</td><td></td> </tr> <tr> <td>None</td><td>Yes</td> </tr> <tr> <td>Yes</td><td></td> </tr> <tr> <td rowspan="4">SS 316</td><td rowspan="4"><math>50 \text{ bar} &lt; p \leq 160</math> bar</td><td>None</td><td>None</td> </tr> <tr> <td>Yes</td><td></td> </tr> <tr> <td>None</td><td>Yes</td> </tr> <tr> <td>Yes</td><td></td> </tr> <tr> <td rowspan="4">SS 660</td><td rowspan="4"><math>50 \text{ bar} &lt; p \leq 420</math> bar</td><td>None</td><td>None</td> </tr> <tr> <td>Yes</td><td></td> </tr> <tr> <td>None</td><td>Yes</td> </tr> <tr> <td>Yes</td><td></td> </tr> </tbody> </table> | Process cover bolting |  | Stainless steel parts |  | Bolting | Operating pressure (p) | Tag plate | Enclosure | None | $p \leq 50$ bar | None | None | Yes |  | None | Yes | Yes |  | Carbon steel | $50 \text{ bar} < p \leq 420$ bar | None | None | Yes |  | None | Yes | Yes |  | SS 316 | $50 \text{ bar} < p \leq 160$ bar | None | None | Yes |  | None | Yes | Yes |  | SS 660 | $50 \text{ bar} < p \leq 420$ bar | None | None | Yes |  | None | Yes | Yes |  |
| Process cover bolting |                                   | Stainless steel parts |           |   |   |   |   |   |    |    |    |    |    |    |    |   |                       |  |                       |  |         |                        |           |           |      |                 |      |      |     |  |      |     |     |  |              |                                   |      |      |     |  |      |     |     |  |        |                                   |      |      |     |  |      |     |     |  |        |                                   |      |      |     |  |      |     |     |  |
| Bolting               | Operating pressure (p)            | Tag plate             | Enclosure |   |   |   |   |   |    |    |    |    |    |    |    |   |                       |  |                       |  |         |                        |           |           |      |                 |      |      |     |  |      |     |     |  |              |                                   |      |      |     |  |      |     |     |  |        |                                   |      |      |     |  |      |     |     |  |        |                                   |      |      |     |  |      |     |     |  |
| None                  | $p \leq 50$ bar                   | None                  | None      |   |   |   |   |   |    |    |    |    |    |    |    |   |                       |  |                       |  |         |                        |           |           |      |                 |      |      |     |  |      |     |     |  |              |                                   |      |      |     |  |      |     |     |  |        |                                   |      |      |     |  |      |     |     |  |        |                                   |      |      |     |  |      |     |     |  |
|                       |                                   | Yes                   |           |   |   |   |   |   |    |    |    |    |    |    |    |   |                       |  |                       |  |         |                        |           |           |      |                 |      |      |     |  |      |     |     |  |              |                                   |      |      |     |  |      |     |     |  |        |                                   |      |      |     |  |      |     |     |  |        |                                   |      |      |     |  |      |     |     |  |
|                       |                                   | None                  | Yes       |   |   |   |   |   |    |    |    |    |    |    |    |   |                       |  |                       |  |         |                        |           |           |      |                 |      |      |     |  |      |     |     |  |              |                                   |      |      |     |  |      |     |     |  |        |                                   |      |      |     |  |      |     |     |  |        |                                   |      |      |     |  |      |     |     |  |
|                       |                                   | Yes                   |           |   |   |   |   |   |    |    |    |    |    |    |    |   |                       |  |                       |  |         |                        |           |           |      |                 |      |      |     |  |      |     |     |  |              |                                   |      |      |     |  |      |     |     |  |        |                                   |      |      |     |  |      |     |     |  |        |                                   |      |      |     |  |      |     |     |  |
| Carbon steel          | $50 \text{ bar} < p \leq 420$ bar | None                  | None      |   |   |   |   |   |    |    |    |    |    |    |    |   |                       |  |                       |  |         |                        |           |           |      |                 |      |      |     |  |      |     |     |  |              |                                   |      |      |     |  |      |     |     |  |        |                                   |      |      |     |  |      |     |     |  |        |                                   |      |      |     |  |      |     |     |  |
|                       |                                   | Yes                   |           |   |   |   |   |   |    |    |    |    |    |    |    |   |                       |  |                       |  |         |                        |           |           |      |                 |      |      |     |  |      |     |     |  |              |                                   |      |      |     |  |      |     |     |  |        |                                   |      |      |     |  |      |     |     |  |        |                                   |      |      |     |  |      |     |     |  |
|                       |                                   | None                  | Yes       |   |   |   |   |   |    |    |    |    |    |    |    |   |                       |  |                       |  |         |                        |           |           |      |                 |      |      |     |  |      |     |     |  |              |                                   |      |      |     |  |      |     |     |  |        |                                   |      |      |     |  |      |     |     |  |        |                                   |      |      |     |  |      |     |     |  |
|                       |                                   | Yes                   |           |   |   |   |   |   |    |    |    |    |    |    |    |   |                       |  |                       |  |         |                        |           |           |      |                 |      |      |     |  |      |     |     |  |              |                                   |      |      |     |  |      |     |     |  |        |                                   |      |      |     |  |      |     |     |  |        |                                   |      |      |     |  |      |     |     |  |
| SS 316                | $50 \text{ bar} < p \leq 160$ bar | None                  | None      |   |   |   |   |   |    |    |    |    |    |    |    |   |                       |  |                       |  |         |                        |           |           |      |                 |      |      |     |  |      |     |     |  |              |                                   |      |      |     |  |      |     |     |  |        |                                   |      |      |     |  |      |     |     |  |        |                                   |      |      |     |  |      |     |     |  |
|                       |                                   | Yes                   |           |   |   |   |   |   |    |    |    |    |    |    |    |   |                       |  |                       |  |         |                        |           |           |      |                 |      |      |     |  |      |     |     |  |              |                                   |      |      |     |  |      |     |     |  |        |                                   |      |      |     |  |      |     |     |  |        |                                   |      |      |     |  |      |     |     |  |
|                       |                                   | None                  | Yes       |   |   |   |   |   |    |    |    |    |    |    |    |   |                       |  |                       |  |         |                        |           |           |      |                 |      |      |     |  |      |     |     |  |              |                                   |      |      |     |  |      |     |     |  |        |                                   |      |      |     |  |      |     |     |  |        |                                   |      |      |     |  |      |     |     |  |
|                       |                                   | Yes                   |           |   |   |   |   |   |    |    |    |    |    |    |    |   |                       |  |                       |  |         |                        |           |           |      |                 |      |      |     |  |      |     |     |  |              |                                   |      |      |     |  |      |     |     |  |        |                                   |      |      |     |  |      |     |     |  |        |                                   |      |      |     |  |      |     |     |  |
| SS 660                | $50 \text{ bar} < p \leq 420$ bar | None                  | None      |   |   |   |   |   |    |    |    |    |    |    |    |   |                       |  |                       |  |         |                        |           |           |      |                 |      |      |     |  |      |     |     |  |              |                                   |      |      |     |  |      |     |     |  |        |                                   |      |      |     |  |      |     |     |  |        |                                   |      |      |     |  |      |     |     |  |
|                       |                                   | Yes                   |           |   |   |   |   |   |    |    |    |    |    |    |    |   |                       |  |                       |  |         |                        |           |           |      |                 |      |      |     |  |      |     |     |  |              |                                   |      |      |     |  |      |     |     |  |        |                                   |      |      |     |  |      |     |     |  |        |                                   |      |      |     |  |      |     |     |  |
|                       |                                   | None                  | Yes       |   |   |   |   |   |    |    |    |    |    |    |    |   |                       |  |                       |  |         |                        |           |           |      |                 |      |      |     |  |      |     |     |  |              |                                   |      |      |     |  |      |     |     |  |        |                                   |      |      |     |  |      |     |     |  |        |                                   |      |      |     |  |      |     |     |  |
|                       |                                   | Yes                   |           |   |   |   |   |   |    |    |    |    |    |    |    |   |                       |  |                       |  |         |                        |           |           |      |                 |      |      |     |  |      |     |     |  |              |                                   |      |      |     |  |      |     |     |  |        |                                   |      |      |     |  |      |     |     |  |        |                                   |      |      |     |  |      |     |     |  |
|                       |                                   |                       |           |   |   |   |   |   |    |    |    |    |    |    |    |   |                       |  |                       |  |         |                        |           |           |      |                 |      |      |     |  |      |     |     |  |              |                                   |      |      |     |  |      |     |     |  |        |                                   |      |      |     |  |      |     |     |  |        |                                   |      |      |     |  |      |     |     |  |
|                       |                                   |                       |           |   |   |   |   |   |    |    |    |    |    |    |    | Special options   |                       |  |                       |  |         |                        |           |           |      |                 |      |      |     |  |      |     |     |  |              |                                   |      |      |     |  |      |     |     |  |        |                                   |      |      |     |  |      |     |     |  |        |                                   |      |      |     |  |      |     |     |  |
|                       |                                   |                       |           |   |   |   |   |   |    |    |    |    |    |    |    | None  |                       |  |                       |  |         |                        |           |           |      |                 |      |      |     |  |      |     |     |  |              |                                   |      |      |     |  |      |     |     |  |        |                                   |      |      |     |  |      |     |     |  |        |                                   |      |      |     |  |      |     |     |  |
|                       |                                   |                       |           |   |   |   |   |   |    |    |    |    |    |    |    | High accuracy   |                       |  |                       |  |         |                        |           |           |      |                 |      |      |     |  |      |     |     |  |              |                                   |      |      |     |  |      |     |     |  |        |                                   |      |      |     |  |      |     |     |  |        |                                   |      |      |     |  |      |     |     |  |
|                       |                                   |                       |           |   |   |   |   |   |    |    |    |    |    |    |    | (8) * special, no code available  |                       |  |                       |  |         |                        |           |           |      |                 |      |      |     |  |      |     |     |  |              |                                   |      |      |     |  |      |     |     |  |        |                                   |      |      |     |  |      |     |     |  |        |                                   |      |      |     |  |      |     |     |  |

Notes\* :

- 1- The flange rating is according to the Maximum Working Pressure.
- 2- A Turn Down Ratio  $\leq 10$  is recommended for optimal performances.
- 3- For  $DN \leq 50$  please consult Fuji Electric regarding process conditions
- 4- Only with digit 4 = "T", "W", "6", "8"
- 5- For capillary version, the standard mounting bracket is provided. No mounting bracket with the rigid mounting design.
- 6- For rigid assembling, bolts and nuts are required. Please specify bolts and nuts material (12th digit) even if  $P \leq 50$  bar.
- 7- Standard cell filling fluid = silicone oil. Other filling fluids upon request.
- 8- When no code can be found in the current model code, place "\*" in the corresponding digit code as well as in the 16th digit.



# MODEL CODE SYMBOLS -FKM-

| 1                                      | 2              | 3 | 4 | 5 | 6 | 7 | 8 | 9 | 10 | 11 | 12 | 13 | 14 | 15 | 16 | DESCRIPTION   |                    |                |                                     |           |  |           |
|--|----------------|---|---|---|---|---|---|---|----|----|----|----|----|----|----|---|--------------------|----------------|-------------------------------------|-----------|--|-----------|
| F                                      | K              | M |   |   | V | 6 |   |   |    |    |    | Y  |    | 0  |    |   |                    |                |                                     |           |  |           |
|  |                |   |   |   |   |   |   |   |    |    |    |    |    |    |    | Type  |                    |                |                                     |           |  |           |
|  |                |   |   |   |   |   |   |   |    |    |    |    |    |    |    | Absolute pressure transmitter with remote seal - Smart, 4-20 mA with HART communication protocol  |                    |                |                                     |           |  |           |
|  |                |   |   |   |   |   |   |   |    |    |    |    |    |    |    | <table border="1"> <thead> <tr> <th>Electrical conduit</th><th>Enclosure type</th></tr> </thead> <tbody> <tr> <td>1/2 - 14NPT<br/>Pg 13.5<br/>M 20x 1.5</td><td>"L" shape</td></tr> <tr> <td>1/2" - 14 NPT<br/>Pg 13.5<br/>M 20 x 1,5</td><td>"T" shape</td></tr> </tbody> </table> | Electrical conduit | Enclosure type | 1/2 - 14NPT<br>Pg 13.5<br>M 20x 1.5 | "L" shape | 1/2" - 14 NPT<br>Pg 13.5<br>M 20 x 1,5 | "T" shape |
| Electrical conduit                     | Enclosure type |   |   |   |   |   |   |   |    |    |    |    |    |    |    |   |                    |                |                                     |           |  |           |
| 1/2 - 14NPT<br>Pg 13.5<br>M 20x 1.5    | "L" shape      |   |   |   |   |   |   |   |    |    |    |    |    |    |    |   |                    |                |                                     |           |  |           |
| 1/2" - 14 NPT<br>Pg 13.5<br>M 20 x 1,5 | "T" shape      |   |   |   |   |   |   |   |    |    |    |    |    |    |    |   |                    |                |                                     |           |  |           |
| T                                      |                |   |   |   |   |   |   |   |    |    |    |    |    |    |    | (1) Diaphragm seal rating   |                    |                |                                     |           |  |           |
| V                                      |                |   |   |   |   |   |   |   |    |    |    |    |    |    |    | PN25  |                    |                |                                     |           |  |           |
| W                                      |                |   |   |   |   |   |   |   |    |    |    |    |    |    |    | PN 20 - 150 lbs   |                    |                |                                     |           |  |           |
| 6                                      |                |   |   |   |   |   |   |   |    |    |    |    |    |    |    | PN 50 - 300 lbs   |                    |                |                                     |           |  |           |
| 7                                      |                |   |   |   |   |   |   |   |    |    |    |    |    |    |    | PN 40   |                    |                |                                     |           |  |           |
| 8                                      |                |   |   |   |   |   |   |   |    |    |    |    |    |    |    | PN 16   |                    |                |                                     |           |  |           |
|  |                |   |   |   |   |   |   |   |    |    |    |    |    |    |    | PN 100 - 600 lbs  |                    |                |                                     |           |  |           |
|  |                |   |   |   |   |   |   |   |    |    |    |    |    |    |    | (2) Measuring range   |                    |                |                                     |           |  |           |
| 2                                      |                |   |   |   |   |   |   |   |    |    |    |    |    |    |    | (3) 0 ... 0.016 to 0.160 bar abs / 0...0.23 to 2.32 psi abs   |                    |                |                                     |           |  |           |
| 4                                      |                |   |   |   |   |   |   |   |    |    |    |    |    |    |    | (3) 0 ... 0.013 to 1.30 bar abs / 0...0.19 to 18.85 psi abs   |                    |                |                                     |           |  |           |
| 6                                      |                |   |   |   |   |   |   |   |    |    |    |    |    |    |    | 0 ... 0.05 to 5.00 bar abs / 0...0.73 to 72.52 psi abs  |                    |                |                                     |           |  |           |
| 8                                      |                |   |   |   |   |   |   |   |    |    |    |    |    |    |    | 0 ... 0.3 to 30 bar abs / 0...4.35 to 435.11 psi abs  |                    |                |                                     |           |  |           |
| 9                                      |                |   |   |   |   |   |   |   |    |    |    |    |    |    |    | 0 ... 1 to 100 barg / 0...14.5 to 1450.38 psi abs   |                    |                |                                     |           |  |           |
| L                                      |                |   |   |   |   |   |   |   |    |    |    |    |    |    |    |   |                    |                |                                     |           |  |           |
|  |                |   |   |   |   |   |   |   |    |    |    |    |    |    |    | Design version  |                    |                |                                     |           |  |           |
|  |                |   |   |   |   |   |   |   |    |    |    |    |    |    |    | Indicator   |                    |                |                                     |           |  |           |
|  |                |   |   |   |   |   |   |   |    |    |    |    |    |    |    | Arrester  |                    |                |                                     |           |  |           |
| A                                      |                |   |   |   |   |   |   |   |    |    |    |    |    |    |    | none  |                    |                |                                     |           |  |           |
| E                                      |                |   |   |   |   |   |   |   |    |    |    |    |    |    |    | none  |                    |                |                                     |           |  |           |
| L                                      |                |   |   |   |   |   |   |   |    |    |    |    |    |    |    | digital, 0-100%   |                    |                |                                     |           |  |           |
| P                                      |                |   |   |   |   |   |   |   |    |    |    |    |    |    |    | digital, Custom scale   |                    |                |                                     |           |  |           |
| Q                                      |                |   |   |   |   |   |   |   |    |    |    |    |    |    |    | digital, 0-100%   |                    |                |                                     |           |  |           |
| S                                      |                |   |   |   |   |   |   |   |    |    |    |    |    |    |    | digital, Custom scale   |                    |                |                                     |           |  |           |
| 1                                      |                |   |   |   |   |   |   |   |    |    |    |    |    |    |    | digital, 0-100% (Local configurator)  |                    |                |                                     |           |  |           |
| 2                                      |                |   |   |   |   |   |   |   |    |    |    |    |    |    |    | digital, Custom scale (Local configurator)  |                    |                |                                     |           |  |           |
| 4                                      |                |   |   |   |   |   |   |   |    |    |    |    |    |    |    | digital, 0-100% (Local configurator)  |                    |                |                                     |           |  |           |
| 5                                      |                |   |   |   |   |   |   |   |    |    |    |    |    |    |    | digital, Custom scale (Local configurator)  |                    |                |                                     |           |  |           |
|  |                |   |   |   |   |   |   |   |    |    |    |    |    |    |    | Hazardous location approvals  |                    |                |                                     |           |  |           |
|  |                |   |   |   |   |   |   |   |    |    |    |    |    |    |    | None  |                    |                |                                     |           |  |           |
| A                                      |                |   |   |   |   |   |   |   |    |    |    |    |    |    |    | (4) ATEX - Flameproof   |                    |                |                                     |           |  |           |
| X                                      |                |   |   |   |   |   |   |   |    |    |    |    |    |    |    | ATEX - Intrinsic Safety   |                    |                |                                     |           |  |           |
| K                                      |                |   |   |   |   |   |   |   |    |    |    |    |    |    |    | (4) ATEX - Combination Flameproof and Intrinsic Safety pending  |                    |                |                                     |           |  |           |
| M                                      |                |   |   |   |   |   |   |   |    |    |    |    |    |    |    | (4) cCSAus - Explosion proof pending  |                    |                |                                     |           |  |           |
| E                                      |                |   |   |   |   |   |   |   |    |    |    |    |    |    |    | (4) cCSAus - Intrinsic Safety and Non Incendive pending   |                    |                |                                     |           |  |           |
| J                                      |                |   |   |   |   |   |   |   |    |    |    |    |    |    |    | (4) cCSAus - Combination Explosion proof, Intrinsic Safety and Non Incendive pending  |                    |                |                                     |           |  |           |
| L                                      |                |   |   |   |   |   |   |   |    |    |    |    |    |    |    | (4) IECEx - Flameproof  |                    |                |                                     |           |  |           |
| R                                      |                |   |   |   |   |   |   |   |    |    |    |    |    |    |    | IECEX - Intrinsic Safety  |                    |                |                                     |           |  |           |
| T                                      |                |   |   |   |   |   |   |   |    |    |    |    |    |    |    | (4) IECEx - Combination Flameproof and Intrinsic Safety pending   |                    |                |                                     |           |  |           |
| N                                      |                |   |   |   |   |   |   |   |    |    |    |    |    |    |    | (4) IECEx - ATEX - cCSAus - Explosion/Flameproof, Intrinsic Safety and Non Incendive pending  |                    |                |                                     |           |  |           |
| W                                      |                |   |   |   |   |   |   |   |    |    |    |    |    |    |    | (5) Mounting design   |                    |                |                                     |           |  |           |
|  |                |   |   |   |   |   |   |   |    |    |    |    |    |    |    | Capillary   |                    |                |                                     |           |  |           |
| B                                      |                |   |   |   |   |   |   |   |    |    |    |    |    |    |    | Rigid - Long design (in line)   |                    |                |                                     |           |  |           |
| L                                      |                |   |   |   |   |   |   |   |    |    |    |    |    |    |    | Rigid - Short design (90°)  |                    |                |                                     |           |  |           |
| M                                      |                |   |   |   |   |   |   |   |    |    |    |    |    |    |    | Capillary   |                    |                |                                     |           |  |           |
| G                                      |                |   |   |   |   |   |   |   |    |    |    |    |    |    |    | Rigid - Long design (in line)   |                    |                |                                     |           |  |           |
| S                                      |                |   |   |   |   |   |   |   |    |    |    |    |    |    |    | Rigid - Short design (90°)  |                    |                |                                     |           |  |           |
| T                                      |                |   |   |   |   |   |   |   |    |    |    |    |    |    |    |   |                    |                |                                     |           |  |           |

| 1                     | 2                          | 3                     | 4       | 5 | 6 | 7 | 8 | 9 | 10 | 11 | 12 | 13 | 14 | 15 | 16 | DESCRIPTION  |                       |  |                       |      |         |                        |           |                            |      |                 |      |      |     |  |      |     |     |  |              |                  |      |      |     |  |      |     |     |  |         |                  |      |      |     |  |      |     |     |  |        |                  |      |      |     |  |      |     |     |  |
|-----------------------|----------------------------|-----------------------|---------|---|---|---|---|---|----|----|----|----|----|----|----|--|-----------------------|--|-----------------------|------|---------|------------------------|-----------|----------------------------|------|-----------------|------|------|-----|--|------|-----|-----|--|--------------|------------------|------|------|-----|--|------|-----|-----|--|---------|------------------|------|------|-----|--|------|-----|-----|--|--------|------------------|------|------|-----|--|------|-----|-----|--|
| F                     | K                          | M                     |         |   |   | V | 6 |   |    |    | Y  |    | 0  |    |    | (7) Process cover bolting & Stainless steel parts  |                       |  |                       |      |         |                        |           |                            |      |                 |      |      |     |  |      |     |     |  |              |                  |      |      |     |  |      |     |     |  |         |                  |      |      |     |  |      |     |     |  |        |                  |      |      |     |  |      |     |     |  |
|                       |                            |                       |         |   |   |   |   |   |    |    |    |    |    |    |    | <table border="1"> <thead> <tr> <th colspan="2">Process cover bolting</th><th colspan="2">Stainless steel parts</th> </tr> <tr> <th>Bolting</th><th>Operating pressure (p)</th><th>Tag plate</th><th>Housing</th> </tr> </thead> <tbody> <tr> <td rowspan="4">None</td><td rowspan="4"><math>p \leq 50</math> bar</td><td>None</td><td>None</td> </tr> <tr> <td>Yes</td><td></td> </tr> <tr> <td>None</td><td>Yes</td> </tr> <tr> <td>Yes</td><td></td> </tr> <tr> <td rowspan="4">Carbon steel</td><td rowspan="4"><math>p \leq 500</math> bar</td><td>None</td><td>None</td> </tr> <tr> <td>Yes</td><td></td> </tr> <tr> <td>None</td><td>Yes</td> </tr> <tr> <td>Yes</td><td></td> </tr> <tr> <td rowspan="4">SS 316L</td><td rowspan="4"><math>p \leq 100</math> bar</td><td>None</td><td>None</td> </tr> <tr> <td>Yes</td><td></td> </tr> <tr> <td>None</td><td>Yes</td> </tr> <tr> <td>Yes</td><td></td> </tr> <tr> <td rowspan="4">SS 660</td><td rowspan="4"><math>p \leq 100</math> bar</td><td>None</td><td>None</td> </tr> <tr> <td>Yes</td><td></td> </tr> <tr> <td>None</td><td>Yes</td> </tr> <tr> <td>Yes</td><td></td> </tr> </tbody> </table> | Process cover bolting |  | Stainless steel parts |      | Bolting | Operating pressure (p) | Tag plate | Housing                    | None | $p \leq 50$ bar | None | None | Yes |  | None | Yes | Yes |  | Carbon steel | $p \leq 500$ bar | None | None | Yes |  | None | Yes | Yes |  | SS 316L | $p \leq 100$ bar | None | None | Yes |  | None | Yes | Yes |  | SS 660 | $p \leq 100$ bar | None | None | Yes |  | None | Yes | Yes |  |
| Process cover bolting |                            | Stainless steel parts |         |   |   |   |   |   |    |    |    |    |    |    |    |  |                       |  |                       |      |         |                        |           |                            |      |                 |      |      |     |  |      |     |     |  |              |                  |      |      |     |  |      |     |     |  |         |                  |      |      |     |  |      |     |     |  |        |                  |      |      |     |  |      |     |     |  |
| Bolting               | Operating pressure (p)     | Tag plate             | Housing |   |   |   |   |   |    |    |    |    |    |    |    |  |                       |  |                       |      |         |                        |           |                            |      |                 |      |      |     |  |      |     |     |  |              |                  |      |      |     |  |      |     |     |  |         |                  |      |      |     |  |      |     |     |  |        |                  |      |      |     |  |      |     |     |  |
| None                  | $p \leq 50$ bar            | None                  | None    |   |   |   |   |   |    |    |    |    |    |    |    |  |                       |  |                       |      |         |                        |           |                            |      |                 |      |      |     |  |      |     |     |  |              |                  |      |      |     |  |      |     |     |  |         |                  |      |      |     |  |      |     |     |  |        |                  |      |      |     |  |      |     |     |  |
|                       |                            | Yes                   |         |   |   |   |   |   |    |    |    |    |    |    |    |  |                       |  |                       |      |         |                        |           |                            |      |                 |      |      |     |  |      |     |     |  |              |                  |      |      |     |  |      |     |     |  |         |                  |      |      |     |  |      |     |     |  |        |                  |      |      |     |  |      |     |     |  |
|                       |                            | None                  | Yes     |   |   |   |   |   |    |    |    |    |    |    |    |  |                       |  |                       |      |         |                        |           |                            |      |                 |      |      |     |  |      |     |     |  |              |                  |      |      |     |  |      |     |     |  |         |                  |      |      |     |  |      |     |     |  |        |                  |      |      |     |  |      |     |     |  |
|                       |                            | Yes                   |         |   |   |   |   |   |    |    |    |    |    |    |    |  |                       |  |                       |      |         |                        |           |                            |      |                 |      |      |     |  |      |     |     |  |              |                  |      |      |     |  |      |     |     |  |         |                  |      |      |     |  |      |     |     |  |        |                  |      |      |     |  |      |     |     |  |
| Carbon steel          | $p \leq 500$ bar           | None                  | None    |   |   |   |   |   |    |    |    |    |    |    |    |  |                       |  |                       |      |         |                        |           |                            |      |                 |      |      |     |  |      |     |     |  |              |                  |      |      |     |  |      |     |     |  |         |                  |      |      |     |  |      |     |     |  |        |                  |      |      |     |  |      |     |     |  |
|                       |                            | Yes                   |         |   |   |   |   |   |    |    |    |    |    |    |    |  |                       |  |                       |      |         |                        |           |                            |      |                 |      |      |     |  |      |     |     |  |              |                  |      |      |     |  |      |     |     |  |         |                  |      |      |     |  |      |     |     |  |        |                  |      |      |     |  |      |     |     |  |
|                       |                            | None                  | Yes     |   |   |   |   |   |    |    |    |    |    |    |    |  |                       |  |                       |      |         |                        |           |                            |      |                 |      |      |     |  |      |     |     |  |              |                  |      |      |     |  |      |     |     |  |         |                  |      |      |     |  |      |     |     |  |        |                  |      |      |     |  |      |     |     |  |
|                       |                            | Yes                   |         |   |   |   |   |   |    |    |    |    |    |    |    |  |                       |  |                       |      |         |                        |           |                            |      |                 |      |      |     |  |      |     |     |  |              |                  |      |      |     |  |      |     |     |  |         |                  |      |      |     |  |      |     |     |  |        |                  |      |      |     |  |      |     |     |  |
| SS 316L               | $p \leq 100$ bar           | None                  | None    |   |   |   |   |   |    |    |    |    |    |    |    |  |                       |  |                       |      |         |                        |           |                            |      |                 |      |      |     |  |      |     |     |  |              |                  |      |      |     |  |      |     |     |  |         |                  |      |      |     |  |      |     |     |  |        |                  |      |      |     |  |      |     |     |  |
|                       |                            | Yes                   |         |   |   |   |   |   |    |    |    |    |    |    |    |  |                       |  |                       |      |         |                        |           |                            |      |                 |      |      |     |  |      |     |     |  |              |                  |      |      |     |  |      |     |     |  |         |                  |      |      |     |  |      |     |     |  |        |                  |      |      |     |  |      |     |     |  |
|                       |                            | None                  | Yes     |   |   |   |   |   |    |    |    |    |    |    |    |  |                       |  |                       |      |         |                        |           |                            |      |                 |      |      |     |  |      |     |     |  |              |                  |      |      |     |  |      |     |     |  |         |                  |      |      |     |  |      |     |     |  |        |                  |      |      |     |  |      |     |     |  |
|                       |                            | Yes                   |         |   |   |   |   |   |    |    |    |    |    |    |    |  |                       |  |                       |      |         |                        |           |                            |      |                 |      |      |     |  |      |     |     |  |              |                  |      |      |     |  |      |     |     |  |         |                  |      |      |     |  |      |     |     |  |        |                  |      |      |     |  |      |     |     |  |
| SS 660                | $p \leq 100$ bar           | None                  | None    |   |   |   |   |   |    |    |    |    |    |    |    |  |                       |  |                       |      |         |                        |           |                            |      |                 |      |      |     |  |      |     |     |  |              |                  |      |      |     |  |      |     |     |  |         |                  |      |      |     |  |      |     |     |  |        |                  |      |      |     |  |      |     |     |  |
|                       |                            | Yes                   |         |   |   |   |   |   |    |    |    |    |    |    |    |  |                       |  |                       |      |         |                        |           |                            |      |                 |      |      |     |  |      |     |     |  |              |                  |      |      |     |  |      |     |     |  |         |                  |      |      |     |  |      |     |     |  |        |                  |      |      |     |  |      |     |     |  |
|                       |                            | None                  | Yes     |   |   |   |   |   |    |    |    |    |    |    |    |  |                       |  |                       |      |         |                        |           |                            |      |                 |      |      |     |  |      |     |     |  |              |                  |      |      |     |  |      |     |     |  |         |                  |      |      |     |  |      |     |     |  |        |                  |      |      |     |  |      |     |     |  |
|                       |                            | Yes                   |         |   |   |   |   |   |    |    |    |    |    |    |    |  |                       |  |                       |      |         |                        |           |                            |      |                 |      |      |     |  |      |     |     |  |              |                  |      |      |     |  |      |     |     |  |         |                  |      |      |     |  |      |     |     |  |        |                  |      |      |     |  |      |     |     |  |
|                       |                            |                       |         |   |   |   |   |   |    |    |    |    |    |    |    | <table border="1"> <thead> <tr> <th colspan="2">Special options</th> </tr> </thead> <tbody> <tr> <td>L</td><td>None</td> </tr> <tr> <td>T</td><td>High accuracy</td> </tr> <tr> <td>(8) *</td><td>special, no code available</td> </tr> </tbody> </table>  | Special options       |  | L                     | None | T       | High accuracy          | (8) *     | special, no code available |      |                 |      |      |     |  |      |     |     |  |              |                  |      |      |     |  |      |     |     |  |         |                  |      |      |     |  |      |     |     |  |        |                  |      |      |     |  |      |     |     |  |
| Special options       |                            |                       |         |   |   |   |   |   |    |    |    |    |    |    |    |  |                       |  |                       |      |         |                        |           |                            |      |                 |      |      |     |  |      |     |     |  |              |                  |      |      |     |  |      |     |     |  |         |                  |      |      |     |  |      |     |     |  |        |                  |      |      |     |  |      |     |     |  |
| L                     | None                       |                       |         |   |   |   |   |   |    |    |    |    |    |    |    |  |                       |  |                       |      |         |                        |           |                            |      |                 |      |      |     |  |      |     |     |  |              |                  |      |      |     |  |      |     |     |  |         |                  |      |      |     |  |      |     |     |  |        |                  |      |      |     |  |      |     |     |  |
| T                     | High accuracy              |                       |         |   |   |   |   |   |    |    |    |    |    |    |    |  |                       |  |                       |      |         |                        |           |                            |      |                 |      |      |     |  |      |     |     |  |              |                  |      |      |     |  |      |     |     |  |         |                  |      |      |     |  |      |     |     |  |        |                  |      |      |     |  |      |     |     |  |
| (8) *                 | special, no code available |                       |         |   |   |   |   |   |    |    |    |    |    |    |    |  |                       |  |                       |      |         |                        |           |                            |      |                 |      |      |     |  |      |     |     |  |              |                  |      |      |     |  |      |     |     |  |         |                  |      |      |     |  |      |     |     |  |        |                  |      |      |     |  |      |     |     |  |

Notes\* :

- 1- The flange rating is according to the Maximum Working Pressure.
- 2- A Turn Down Ratio  $\leq 10$  is recommended for optimal performances.
- 3- For DN  $\leq 50$  please consult Fuji Electric regarding process conditions
- 4- Only with digit 4 = "T", "W", "6", "8"
- 5- For capillary version, the standard mounting bracket is provided. No mounting bracket with the rigid mounting design.
- 6- For rigid assembling, bolts and nuts are required. Please specify bolts and nuts material (12th digit) even if P  $\leq 50$  bar.
- 7- Standard cell filling fluid = silicone oil. Other filling fluids upon request.
- 8- When no code can be found in the current model code, place "\*" in the corresponding digit code as well as in the 16th digit.

# REMOTE SEAL DIAPHRAGMS

Fuji Electric remote seal diaphragms are dedicated to accurately measure level, density, flow and line pressure in heavy process conditions.

The use of remote seal diaphragms avoids the measuring cell of the transmitter to be directly in contact with the process conditions.

The various architectures and the full welded construction provide to the Fuji Electric remote seal diaphragm product offer an excellent reliability in harsh processing conditions such as high static pressure, temperature and corrosiveness as well as viscous, clogging or abrasive processes.

## FEATURES

### 1. Construction

Connection of the remote seal to the measuring cell diaphragms can be done either by a rigid (direct) or capillary architectures.

The full welded Fuji Electric design allows a free of gasket path between the remote seal and the differential or gauge measuring cell of the FCX-A IV pressure transmitters.

Depending the nature of the process, specific filling fluids are available to ensure the optimal transmission of the process pressure to the measuring cell.

### 2. Operating principle

The pressure is applied on the remote seal and transferred by the filling fluid through the capillary path to the measuring cell of the pressure transmitter.

### 3. Wide variety of materials selection

Depending the process conditions, wetted or non-wetted parts and filling fluids can be selected thanks to the model code definition.

Wetted parts:

SS 316L, Tantalum, Hastelloy, Monel, Titanium, Zirconium, SS 316L with Gold or PFA coating.

Non wetted parts:

SS 316L

Filling fluids:

Standard silicone, fluorinated, sanitary, high temperature and vacuum specific oils.

For specific process conditions, please consult Fuji Electric.

### 4. Diaphragm seal types

According to the connection type and operating conditions different seal types can be defined:

Flush mounting design from DN40 to DN100.

Seals with extensions (50 to 200 mm).

Flanged, screwed or welded neck adapters

Seals for sanitary applications according DIN, SMS or Tri-Clamp standards.

For specifics needs, please consult Fuji Electric.



## FUNCTIONAL SPECIFICATIONS

### Remote seal diaphragm assembling:

The remote seal can be assembled on the transmitter either by a direct (rigid) connection (as for level measurement at the bottom of a tank) or by capillary (distant measuring point, high temperature process).

The rigid assembling can be either "long design" (in line) or "short design" (90°) as shown in the outline dimension drawings.

|     | Rigid mounting                                   | Capillary mounting        |
|-----|--|---------------------------|
| FKB | Short or long design                             | HP side                   |
| FKM | Short or long design                             | HP side                   |
| FKD | Short design on HP side and capillary on LP side | HP and LP side<br>HP side |

### Capillary tube specifications:

Standard capillary lengths:

1.5 / 3 / 6 m (other upon request)

Inside diameter:

1 mm standard

2 mm for vacuum service, high process temperature applications, short response time requirements

Smallest bending radius of the capillary: 100 mm

### Capillary protection sheath:

PVC (-10 °C...+80 °C)

Stainless steel (-40 °C...+350 °C)

### Type of process connections:

- Flush mounting
- With diaphragm extension
- With adapter (flanged, screwed or welded).

The adapter is dedicated either to adapt the remote seal connection to a specific process connection or to increase the diameter of the membrane and the sensitivity of the measurement

**Temperature limits:**

Ambient temperature:  
-40 to 85°C for transmitter

Process temperature:

Rigid assembly: -40 to 150°C ( $P \geq 1$  atm)

Capillary assembly: Refer to the "Filling fluids and temperatures" section

**Pressure limits:**

Working pressure:

Limited by the smallest value between the nominal flange rating of the seal diaphragm and the maximum working pressure of the transmitter.

Vacuum limit :

Depends on the limit of the measuring cell and the filling fluid of the remote seal. For the differential or gauge pressure transmitter with the silicone oil, the vacuum limit is 20 Torr or 27 mbar abs.

Only the absolute pressure transmitter can be used till absolute zero (FKM).

For process pressure < 20 Torr, please consult Fuji Electric.

**PERFORMANCE SPECIFICATIONS**

To evaluate the global performances, both the transmitter and the remote seal diaphragm performances must be considered under the reference conditions : standard silicone oil filling, SS 316L seal diaphragm, 4-20 mA output in linear mode.

**Accuracy:**

Assembling 1 or 2 remote seal diaphragms on a transmitter increases the accuracy error at reference conditions by 0,1% of the span.

**Ambient temperature effect:**

*Effect when only transmitter is corrected.*

*(See 11th model code G, S, T of the FKB and FKM model codes and code G, H of the FKD model code).*

| Seals \ Transmitters                | Effect (mbar/10°C)          |                |                           |                |
|-------------------------------------|-----------------------------|----------------|---------------------------|----------------|
|                                     | FKB/FKM Gauge/Abs. pressure | Capillary (/m) | FKD Differential pressure | Capillary (/m) |
| DN 50/2" - SS 316L diaphragm        | 2.03                        | 1.5            | 0.48                      | 0.32           |
| DN 80/3" - SS 316L diaphragm        | 0.11                        | 0.08           | 0.04                      | 0.03           |
| DN80/3" - other diaphragm materials | 0.22                        | 0.2            | 0.05                      | 0.07           |
| DN100/4" - SS 316L diaphragm        | 0.04                        | 0.03           | 0.02                      | 0.01           |
| Adaptor - SS 316L diaphragm         | 0.11                        | 0.08           | 0.04                      | 0.03           |

Note: the indicated values are in mbar/10°C for capillary length of 1m and internal capillary tube  $\varnothing$  of 1 mm

*Effect when both the transmitter and the seal assembly are corrected. (See codes B,C,L,M digit 11 of the FKB, FKD and FKM model codes).*

The correction of the zero drift can be done at factory level on the complete system (transmitter and remote seals) by an additional temperature correction operation.

A thermal isolation or a heating of the capillaries minimises the ambient temperature effect.

**Process temperature effect:**

| Seals \ Transmitters              | Effect (mbar/10°C)     |                           |
|-----------------------------------|------------------------|---------------------------|
|                                   | FKB/FKM Gauge pressure | FKD Differential pressure |
| DN 50/2" SS 316L diaphragm        | 1.24                   | 0.5                       |
| DN 80/3" SS 316L diaphragm        | 0.17                   | 0.09                      |
| DN80/3" other diaphragm materials | 0.73                   | 0.22                      |
| DN100/4" SS 316L diaphragm        | 0.08                   | 0.05                      |
| Adaptor SS 316L diaphragm         | 0.17                   | 0.09                      |

**Static pressure effect**

(Differential pressure transmitter FKD with DN80 and DN100 stainless steel diaphragm seals).

Zero shift:  $\pm 0.2\%$  of URL for flange rating, up to 40 bar

**Response time: (mean values)**

| Filling fluid                      | 7th model code | Response time constant (sec) |              |
|------------------------------------|----------------|------------------------------|--------------|
|                                    |                | 0 to 320 mbar                | 0 to 1.3 bar |
| Standard silicone oil              | Y, G, N        | 0.15                         | 0.037        |
| Fluorinated oil                    | W, A, D        | 0.17                         | 0.04         |
| Oil for vacuum or high temperature | U, X           | 0.25                         | 0.065        |

The indicated values are in seconds per meter of capillary length with internal tube diameter  $\varnothing 1$  mm.

The indicated response time is based on a pressure change of 0 to 100% of the calibrated span at reference temperature of 20°C.

The indicated values do not include the response time of the transmitter.

**Filling fluids and temperatures:**

| 7th model code | Designation     | Temperature range (°C) |               | Density (25°C) |
|----------------|-----------------|------------------------|---------------|----------------|
|                |                 | P abs $\geq 1$ bar     | P abs < 1 bar |                |
| Y, G, N        | Silicone oil    | -40 to 180             | -40 to 120    | 0.95           |
| W, D, A        | Fluorinated oil | -20 to 200             | -20 to 120    | 1.84           |
| F              | Sanitary oil    | -10 to 250             | -10 to 120    | 0.94           |
| V              | Silicone oil    |                        | 20 to 200     | 1.07           |
| U              | Silicone oil    | 0 to 300               | 20 to 200     | 1.07           |
| X              | Silicone oil    | -10 to 350             | 20 to 200     | 1.09           |

The indicated values and limits are indicated for the most common applications (standard filling fluids).

Please consult Fuji Electric for special applications indicating your temperature, pressure and vacuum conditions (vacuum and temperature can occur together).

Other filling fluids can be used for your applications.

## MODEL CODE SYMBOLS -S-

| 1 | 2 | 3 | 4 | 5 | 6 | 7 | 8   | DESCRIPTION   |
|---|---|---|---|---|---|---|-----|---|
| S |   |   |   |   |   |   |     |   |
|   |   |   |   |   |   |   |     | <b>Remote seal diaphragms</b>   |
|   |   |   |   |   |   |   |     | <b>Flange / Capillary connection</b>  |
| A |   |   |   |   |   |   |     | Axial   |
| R |   |   |   |   |   |   |     | Radial - Not possible with rigid assembling design(6th code = "R")                              |
| W |   |   |   |   |   |   |     | Wafer type - Not possible with rigid assembling design(6th code = "R")                          |
|   |   |   |   |   |   |   | (1) | <b>Flanges RF (Flange size and rating)</b>  |
| 4 |   |   |   |   |   |   |     | ANSI-150LB 3" - ISO PN 20 DN 80   |
| 5 |   |   |   |   |   |   |     | ANSI-150LB 4" - ISO PN 20 DN 100  |
| 6 |   |   |   |   |   |   |     | ANSI-300LB 3" - ISO PN 50 DN 80   |
| 7 |   |   |   |   |   |   |     | ANSI-300LB 4" - ISO PN 50 DN 100  |
| 8 |   |   |   |   |   |   |     | DIN PN40 DN80   |
| 9 |   |   |   |   |   |   |     | DIN PN16 DN100  |
| H |   |   |   |   |   |   | (2) | ANSI-150LB 2" - ISO PN 20 DN 50   |
| J |   |   |   |   |   |   | (2) | ANSI-300LB 2" - ISO PN 50 DN 50   |
| G |   |   |   |   |   |   | (2) | DIN PN40 DN50   |
| U |   |   |   |   |   |   |     | PN 25 / DN 50 - coupling nut      DIN 11851      Digit 4 = "V" only -                           |
| V |   |   |   |   |   |   |     | PN 40 / DN 50 -coupling nut      SMS      Digit 4 = "V" only                                    |
| W |   |   |   |   |   |   |     | PN40 DN50 - seal only      Clamp      Digit 4 = "V" only  |
| X |   |   |   |   |   |   |     | No dead volume      Sanitary      Digit 4 = "V" only  |
| A |   |   |   |   |   |   | (3) | Flange adaptor PN 40 DN 25      Digit 4 = "V" only - others upon request                        |
| B |   |   |   |   |   |   | (3) | Flange adaptor ISO PN 20 DN 25 (1" - 150 ANSI)      Digit 4 = "V" only - others upon request    |
| C |   |   |   |   |   |   | (3) | Flange adaptor ISO PN 50 DN 25 (1" - 300 ANSI)      Digit 4 = "V" only - others upon request    |
| D |   |   |   |   |   |   | (3) | Flange adaptor PN 40 DN 40      Digit 4 = "V" only - others upon request                        |
| E |   |   |   |   |   |   | (3) | Flange adaptor ISO PN 20 DN 40 (1"1/2 - 150 ANSI)      Digit 4 = "V" only - others upon request |
| F |   |   |   |   |   |   | (3) | Flange adaptor ISO PN 50 DN 40 (1"1/2 - 300 ANSI)      Digit 4 = "V" only - others upon request |
| S |   |   |   |   |   |   | (3) | Screwed 1/2 NPTE      Digit 4 = "V" only - others upon request                                  |
|   |   |   |   |   |   |   |     | <b>Diaphragm seal material</b>  |
|   |   |   |   |   |   |   |     | <b>Diaphragm</b>  |
|   |   |   |   |   |   |   |     | <b>Flange land face</b>   |
|   |   |   |   |   |   |   |     | <b>Flange</b>   |
| V |   |   |   |   |   |   |     | SS 316 L  |
| H |   |   |   |   |   |   |     | Hastelloy-C   |
| B |   |   |   |   |   |   |     | Monel   |
| T |   |   |   |   |   |   |     | Tantalum  |
| P |   |   |   |   |   |   | (4) | Titanium  |
| R |   |   |   |   |   |   | (4) | Zirconium   |
| C |   |   |   |   |   |   |     | SS 316 L + gold coat  |
| F |   |   |   |   |   |   | (5) | SS 316 L + PFA lining   |

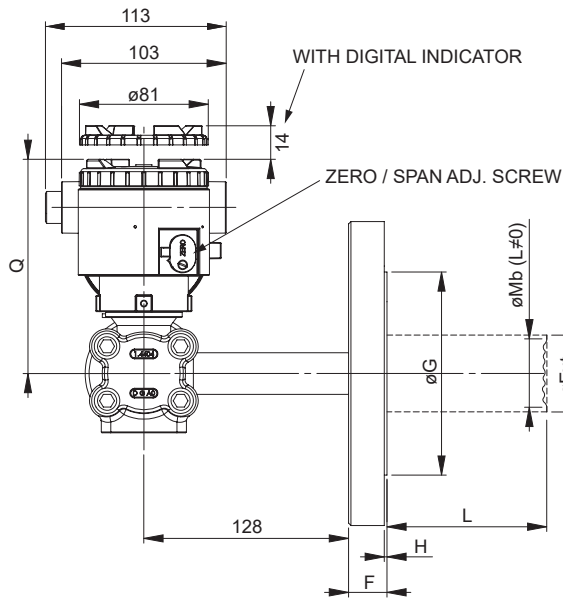
| 1 | 2 | 3 | 4 | 5 | 6 | 7 | 8     |   |   |
|---|---|---|---|---|---|---|-------|---|---|
| S |   |   |   |   |   |   |       | DESCRIPTION   |   |
|   |   |   |   |   |   |   | (6)   | <b>Extension length</b>   |   |
|   |   |   |   |   |   |   |       | <b>Diaphragm extension (mm)</b>   |   |
|   |   |   |   |   |   |   |       | <b>Applicable 4th material code</b>                                     |   |
| Y |   |   |   |   |   |   |       | 0   |   |
| A |   |   |   |   |   |   |       | Any   |   |
| B |   |   |   |   |   |   |       | 4th material code "V"   |   |
| C |   |   |   |   |   |   | 50    |   |   |
| D |   |   |   |   |   |   | 100   |   |   |
| E |   |   |   |   |   |   | 150   |   |   |
| F |   |   |   |   |   |   |       | 4th material code "H"   |   |
| G |   |   |   |   |   |   | 50    |   |   |
| H |   |   |   |   |   |   | 100   |   |   |
| J |   |   |   |   |   |   | 150   |   |   |
| K |   |   |   |   |   |   |       | 4th material code "B"   |   |
| L |   |   |   |   |   |   | 200   |   |   |
| M |   |   |   |   |   |   | 50    |   |   |
| P |   |   |   |   |   |   | 100   |   |   |
| R |   |   |   |   |   |   |       | 4th material code "T"   |   |
| S |   |   |   |   |   |   | 150   |   |   |
| T |   |   |   |   |   |   | 200   |   |   |
|   |   |   |   |   |   |   |       |   | <b>Remote seal assembling characteristics</b> |
|   |   |   |   |   |   |   |       | <b>Assembling design</b>  |   |
|   |   |   |   |   |   |   |       | <b>Capillary length</b>   |   |
|   |   |   |   |   |   |   |       | <b>Protection design</b>  |   |
| A |   |   |   |   |   |   | (7)   | Capillary   |   |
| B |   |   |   |   |   |   | (7)   |   | 1,5 m   |
| C |   |   |   |   |   |   | (7)   |   | 3 m   |
| D |   |   |   |   |   |   | (7)   |   | 6 m   |
| G |   |   |   |   |   |   |       | Upon request  |   |
| H |   |   |   |   |   |   |       | 1,5 m   |   |
| K |   |   |   |   |   |   |       | 3 m   |   |
| L |   |   |   |   |   |   |       | 6 m   |   |
| R |   |   |   |   |   |   |       | Upon request  |   |
|   |   |   |   |   |   |   |       | Rigid assembly, digit 2 = "A" only, maximum process temperature : 150°C |   |
|   |   |   |   |   |   |   |       | <b>Treatments and filling fluid for the diaphragm seal</b>              |   |
|   |   |   |   |   |   |   |       | <b>Application</b>  |   |
|   |   |   |   |   |   |   |       | <b>Filling fluid</b>  |   |
| Y |   |   |   |   |   |   |       | Sstandard   |   |
| W |   |   |   |   |   |   |       | Standard  |   |
| F |   |   |   |   |   |   |       | Standard  |   |
| D |   |   |   |   |   |   |       | Chlorine service  |   |
| G |   |   |   |   |   |   |       | Degreasing  |   |
| A |   |   |   |   |   |   |       | Oxygen service  |   |
| N |   |   |   |   |   |   |       | NACE MR 0175 / ISO 15156  |   |
| V |   |   |   |   |   |   |       | Vacuum service - Max. temperature = 200°C                               |   |
| U |   |   |   |   |   |   |       | High temperature (0 to 300°C) - No vacuum                               |   |
| X |   |   |   |   |   |   |       | Very high temperature (20 to 350°C) - No vacuum                         |   |
|   |   |   |   |   |   |   | (8) * | special, no code available  |   |

## Notes\* :

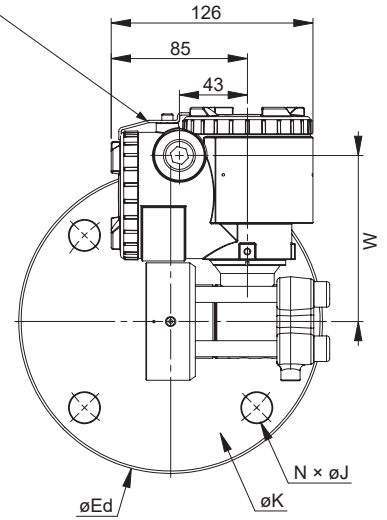
- Standard : RF flange, stock finish. For other flange type and finishing, please consult Fuji Electric. Smooth finishing for material code H, B, T, P, R, F
- For P > 1 bar. Please consult Fuji Electric regarding the process condition
- Only for axial type (digit 2 = "A"), no extension possible
- Maximum process temperature: 150 °C
- Not possible with digit 7 = "V", "U" and "X"
- Extension only with digit 3 = "4", "5", "6", "7", "8", "9", "H", "J" and "G". All wetted parts in the same material (diaphragm, extension and gasket surface)
- Process temperature < 120 °C
- When no code can be found for a digit value, place "\*" in the corresponding digit as well as in the 16th digit.

# OUTLINE DIAGRAM (Unit : mm)

Gauge and absolute pressure transmitter FKB, FKM [<L shape>, rigid assembly, short design, flange with PN ≤ 50 bar]

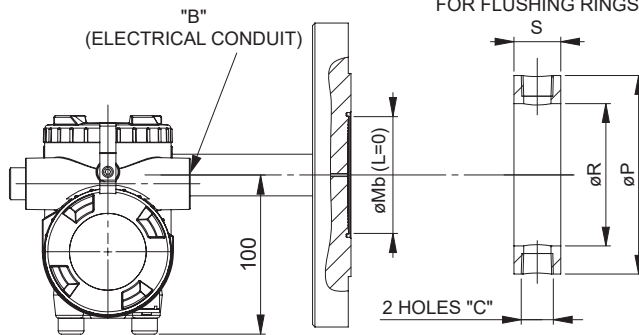


RETAINER FOR FLAMEPROOF MODEL



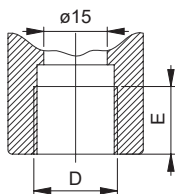
| 5 <sup>TH</sup> DIGIT OF DIAPHRAGM SEAL | L (EXTENSION) |
|---|---------------|
| Y                                       | 0             |
| A, E, J, P                              | 50            |
| B, F, K, R                              | 100           |
| C, G, L, S                              | 150           |
| D, H, M, T                              | 200           |

## TECHNICAL INFORMATION FOR FLUSHING RINGS



| FLUSHING RINGS DIMENSIONS |           |     |     |    |                 |
|---------------------------|-----------|-----|-----|----|-----------------|
| FLANGE SIZE               | HOLES "C" | øP  | øR  | S  | FLANGE STANDARD |
| DN50                      | 1/4-18NPT | 102 | 70  | 30 | EN 1092-1       |
|                           | 1/2-14NPT |     |     |    |                 |
| NPS 2"                    | 1/4-18NPT | 92  | 65  | 30 | EN 1759-1       |
|                           | 1/2-14NPT |     |     |    |                 |
| DN80                      | 1/4-18NPT | 138 | 91  | 30 | EN 1092-1       |
|                           | 1/2-14NPT |     |     |    |                 |
| NPS 3"                    | 1/4-18NPT | 127 | 91  | 30 | EN 1759-1       |
|                           | 1/2-14NPT |     |     |    |                 |
| DN100                     | 1/4-18NPT | 162 | 116 | 30 | EN 1092-1       |
|                           | 1/2-14NPT |     |     |    |                 |
| NPS 4"                    | 1/4-18NPT | 157 | 116 | 30 | EN 1759-1       |
|                           | 1/2-14NPT |     |     |    |                 |

## DETAIL "B"



SEE TABLE 1

| 3 <sup>RD</sup> DIGIT OF DIAPHRAGM SEAL | FLANGE SIZE AND RATING | øEd | F MIN | øG  | H   | N×øJ   | øK    | WEIGHT (kg) | FLANGE STANDARD |
|---|------------------------|-----|-------|-----|-----|--------|-------|-------------|-----------------|
| H                                       | CLASS 150 NPS 2"       | 152 | 21    | 92  | 1.6 | 4×19   | 120.6 | 2.7         | EN 1759-1       |
| 4                                       | CLASS 150 NPS 3"       | 190 | 24    | 127 | 1.6 | 4×19   | 152.4 | 5.3         | EN 1759-1       |
| 5                                       | CLASS 150 NPS 4"       | 229 | 24    | 157 | 1.6 | 8×19   | 190.5 | 7.7         | EN 1759-1       |
| J                                       | CLASS 300 NPS 2"       | 165 | 22.5  | 92  | 1.6 | 8×19   | 127   | 3.7         | EN 1759-1       |
| 6                                       | CLASS 300 NPS 3"       | 210 | 28.5  | 127 | 1.6 | 8×22.2 | 168.3 | 7.8         | EN 1759-1       |
| 7                                       | CLASS 300 NPS 4"       | 254 | 32    | 157 | 1.6 | 8×22.2 | 200   | 12.7        | EN 1759-1       |
| G                                       | PN40 DN50              | 165 | 20    | 102 | 2   | 4×18   | 125   | 3.3         | EN 1092-1       |
| 8                                       | PN40 DN80              | 200 | 24    | 138 | 2   | 8×18   | 160   | 5.8         | EN 1092-1       |
| 9                                       | PN16 DN100             | 220 | 22    | 158 | 2   | 8×18   | 180   | 5.9         | EN 1092-1       |

| 4 <sup>TH</sup> DIGIT TRANSMITTER | ELECTRICAL CONDUIT |      |
|-----------------------------------|--------------------|------|
|                                   | D                  | E    |
| T                                 | 1/2-14NPT          | 16   |
| V                                 | Pg13.5             | 10.5 |
| W                                 | M20×1.5            | 16   |

TABLE 1

| 6 <sup>TH</sup> DIGIT | Q   | W   |
|-----------------------|-----|-----|
| 1, 2, 3, 4            | 134 | 104 |
| 5                     | 142 | 112 |

| 3 <sup>RD</sup> DIGIT OF DIAPHRAGM SEAL  | FLANGE SIZE AND RATING                                     | øMb   | øExt{ΦMb}  | øMb                 | øExt{ΦMb}                          |
|--|--|-------|------------|---------------------|------------------------------------|
| H  | CLASS 150 NPS 2"   | 59    | 48{48}     | 59                  | 48.3{47}                           |
| 4  | CLASS 150 NPS 3"   | 73    | 73{73}     | 89                  | 76{72}                             |
| 5  | CLASS 150 NPS 4"   | 96    | 96{96}     | 89                  | 94{89}                             |
| J  | CLASS 300 NPS 2"   | 59    | 48{48}     | 59                  | 48.3{47}                           |
| 6  | CLASS 300 NPS 3"   | 73    | 73{73}     | 89                  | 76{72}                             |
| 7  | CLASS 300 NPS 4"   | 96    | 96{96}     | 89                  | 94{89}                             |
| G  | PN40 DN50  | 59    | 48{48}     | 59                  | 48.3{47}                           |
| 8  | PN40 DN80  | 73    | 73{73}     | 89                  | 76{72}                             |
| 9  | PN16 DN100   | 96    | 96{96}     | 89                  | 94{89}                             |
| CONDITIONS OF DIAPHRAGM SEAL MODEL CODES | 4 <sup>TH</sup> DIGIT OF DIAPHRAGM SEAL (MATERIAL)         | V     | V          | H, B, T, P, R, C, F | H, B, T                            |
|  | 5 <sup>TH</sup> DIGIT OF DIAPHRAGM SEAL (EXTENSION LENGTH) | Y     | A, B, C, D | Y                   | E, F, G, H, J, K, L, M, P, R, S, T |
|  |  | (L=0) | (L≠0)      | (L=0)               | (L≠0)                              |

WEIGHT :  
 TRANSMITTER ONLY : - 4.0 kg (WITHOUT OPTION)  
 - FLANGES WEIGHT  
 ADD :  
 - 0.2 kg FOR INDICATOR  
 - 2.0 kg FOR STAINLESS STEEL HOUSING OPTION

## MODEL CODE

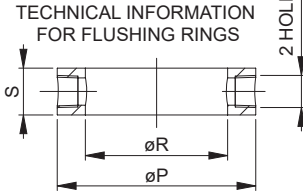
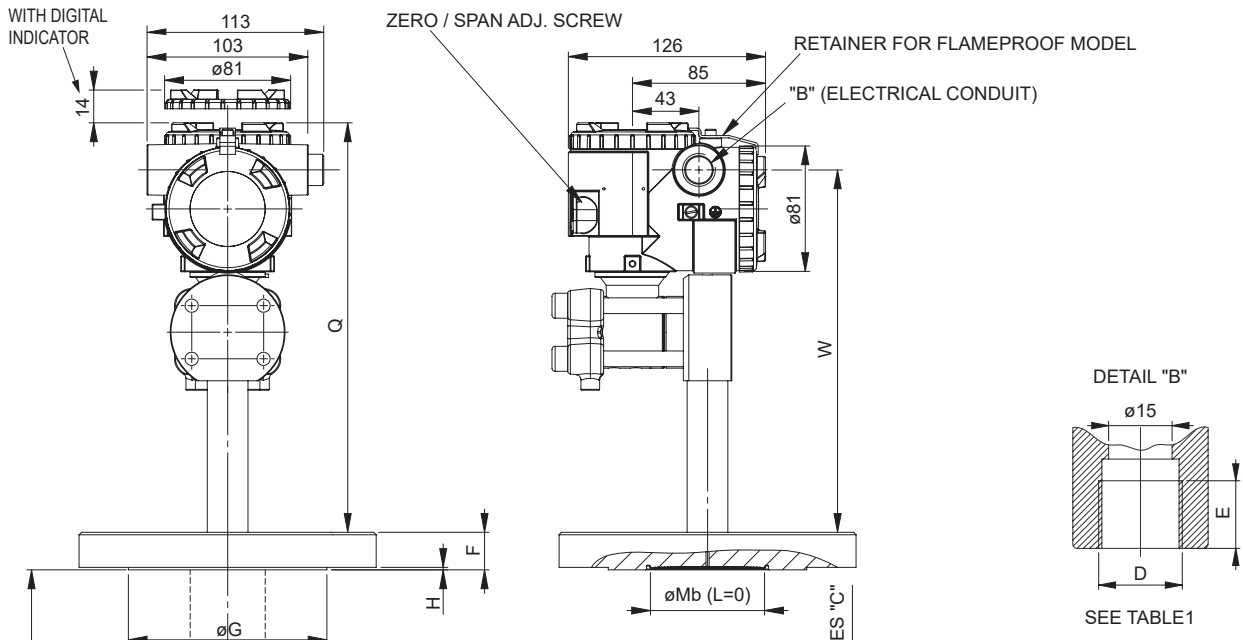
### MAIN PART MODEL CODE

1 2 3 4 5 6 7 8 9 10 11 12 13 14 15  
 F K B □ □ □ V 6 - □ □ □ □ Y - 0 □  
 F K M

### DIAPHRAGM SEAL MODEL CODE

1 2 3 4 5 6 7  
 S A □ □ □ R □

Gauge and absolute pressure transmitter FKB, FKM [L shape], rigid assembly, long design, flange with PN ≤ 50 bar

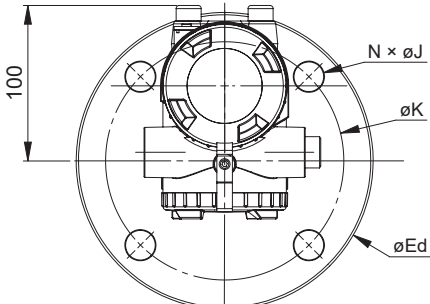


| 4 <sup>TH</sup> DIGIT OFF TRANSMITTER | ELECTRICAL CONDUIT |      |
|---------------------------------------|--------------------|------|
|                                       | D                  | E    |
| T                                     | 1/2-14NPT          | 16   |
| V                                     | Pg13.5             | 10.5 |
| W                                     | M20×1.5            | 16   |

TABLE 1

| 5 <sup>TH</sup> DIGIT OF DIAPHRAGM SEAL | EXTENSION L |
|---|-------------|
| Y                                       | 0           |
| A, E, J, P                              | 50          |
| B, F, K, R                              | 100         |
| C, G, L, S                              | 150         |
| D, H, M, T                              | 200         |

| 6 <sup>TH</sup> DIGIT | Q   | W   |
|-----------------------|-----|-----|
| 1, 2, 3, 4            | 262 | 232 |
| 5                     | 270 | 240 |



| FLUSHING RINGS DIMENSIONS |           |     |     |    |                 |
|---------------------------|-----------|-----|-----|----|-----------------|
| FLANGE SIZE               | HOLES "C" | øP  | øR  | S  | FLANGE STANDARD |
| DN50                      | 1/4-18NPT | 102 | 70  | 30 | EN 1092-1       |
|                           | 1/2-14NPT |     |     |    |                 |
| NPS 2"                    | 1/4-18NPT | 92  | 65  | 30 | EN 1759-1       |
|                           | 1/2-14NPT |     |     |    |                 |
| DN80                      | 1/4-18NPT | 138 | 91  | 30 | EN 1092-1       |
|                           | 1/2-14NPT |     |     |    |                 |
| NPS 3"                    | 1/4-18NPT | 127 | 91  | 30 | EN 1759-1       |
|                           | 1/2-14NPT |     |     |    |                 |
| DN100                     | 1/4-18NPT | 162 | 116 | 30 | EN 1092-1       |
|                           | 1/2-14NPT |     |     |    |                 |
| NPS 4"                    | 1/4-18NPT | 157 | 116 | 30 | EN 1759-1       |
|                           | 1/2-14NPT |     |     |    |                 |

| 3 <sup>RD</sup> DIGIT OF DIAPHRAGM SEAL  | FLANGE SIZE AND RATING                                     | øMb | øExt(øMb)  | øMb                 | øExt(øMb)                          |
|--|--|-----|------------|---------------------|------------------------------------|
| H  | CLASS 150 NPS 2"   | 59  | 48(48)     | 59                  | 48.3(47)                           |
| 4  | CLASS 150 NPS 3"   | 73  | 73(73)     | 89                  | 76(72)                             |
| 5  | CLASS 150 NPS 4"   | 96  | 96(96)     | 89                  | 94(89)                             |
| J  | CLASS 300 NPS 2"   | 59  | 48(48)     | 59                  | 48.3(47)                           |
| 6  | CLASS 300 NPS 3"   | 73  | 73(73)     | 89                  | 76(72)                             |
| 7  | CLASS 300 NPS 4"   | 96  | 96(96)     | 89                  | 94(89)                             |
| G  | PN40 DN50  | 59  | 48(48)     | 59                  | 48.3(47)                           |
| 8  | PN40 DN80  | 73  | 73(73)     | 89                  | 76(72)                             |
| 9  | PN16 DN100   | 96  | 96(96)     | 89                  | 94(89)                             |
| CONDITIONS OF DIAPHRAGM SEAL MODEL CODES | 4 <sup>TH</sup> DIGIT OF DIAPHRAGM SEAL (MATERIAL)         | V   | V          | H, B, T, P, R, C, F | H, B, T                            |
|  | 5 <sup>TH</sup> DIGIT OF DIAPHRAGM SEAL (EXTENSION LENGTH) | Y   | A, B, C, D | Y                   | E, F, G, H, J, K, L, M, P, R, S, T |

| 3 <sup>RD</sup> DIGIT OF DIAPHRAGM SEAL | FLANGE SIZE AND RATING | øEd | F MIN | øG  | H   | N×øJ   | øK    | WEIGHT (kg) | FLANGE STANDARD |
|---|------------------------|-----|-------|-----|-----|--------|-------|-------------|-----------------|
| H                                       | CLASS 150 NPS 2"       | 152 | 21    | 92  | 1.6 | 4×19   | 120.6 | 2.7         | EN 1759-1       |
| 4                                       | CLASS 150 NPS 3"       | 190 | 24    | 127 | 1.6 | 4×19   | 152.4 | 5.3         | EN 1759-1       |
| 5                                       | CLASS 150 NPS 4"       | 229 | 24    | 157 | 1.6 | 8×19   | 190.5 | 7.7         | EN 1759-1       |
| J                                       | CLASS 300 NPS 2"       | 165 | 22.5  | 92  | 1.6 | 8×19   | 127   | 3.7         | EN 1759-1       |
| 6                                       | CLASS 300 NPS 3"       | 210 | 28.5  | 127 | 1.6 | 8×22.2 | 168.3 | 7.8         | EN 1759-1       |
| 7                                       | CLASS 300 NPS 4"       | 254 | 32    | 157 | 1.6 | 8×22.2 | 200   | 12.7        | EN 1759-1       |
| G                                       | PN40 DN50              | 165 | 20    | 102 | 2   | 4×18   | 125   | 3.3         | EN 1092-1       |
| 8                                       | PN40 DN80              | 200 | 24    | 138 | 2   | 8×18   | 160   | 5.8         | EN 1092-1       |
| 9                                       | PN16 DN100             | 220 | 22    | 158 | 2   | 8×18   | 180   | 5.9         | EN 1092-1       |

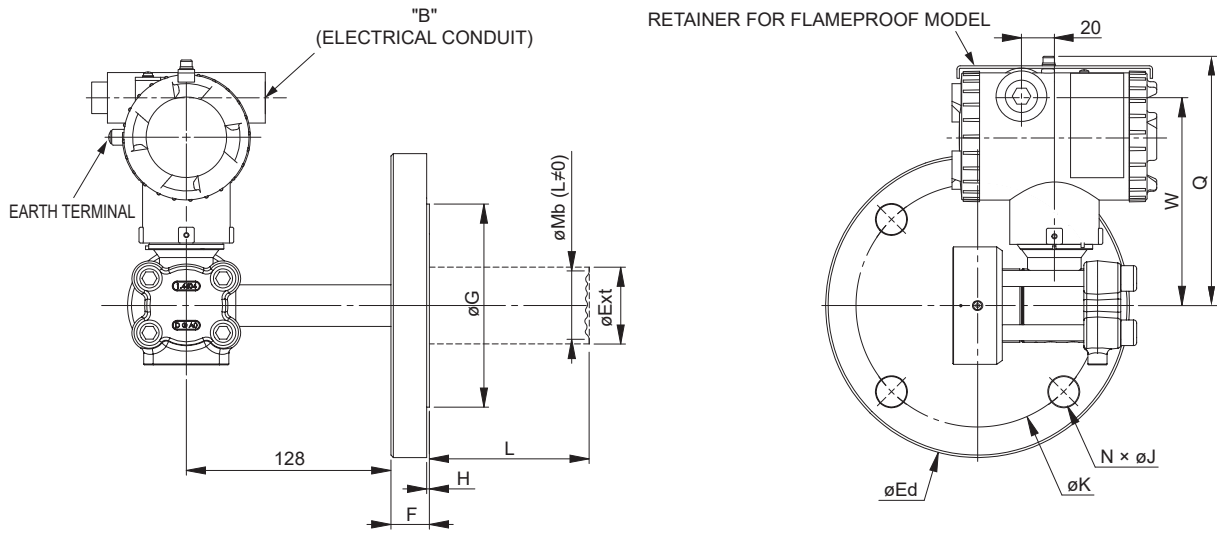
WEIGHT :  
 TRANSMITTER ONLY : - 4.0 kg (WITHOUT OPTION)  
 - FLANGES WEIGHT  
 ADD :  
 - 0.2 kg FOR INDICATOR  
 - 2.0 kg FOR STAINLESS STEEL HOUSING OPTION

MODEL CODE

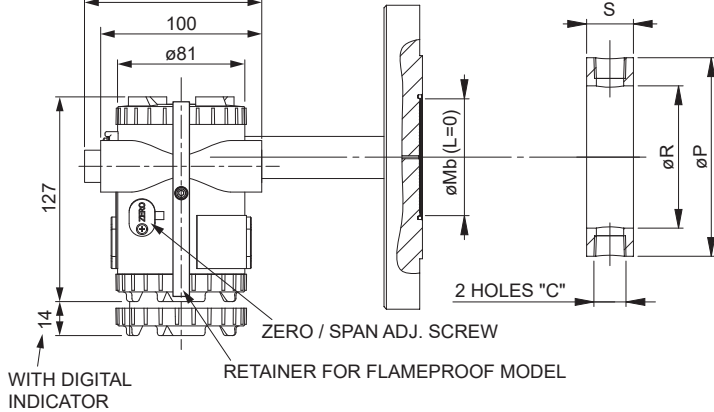
|                      |   |   |   |   |   |   |   |   |    |    |    |    |    |                           |   |   |   |   |   |   |   |   |   |
|----------------------|---|---|---|---|---|---|---|---|----|----|----|----|----|---------------------------|---|---|---|---|---|---|---|---|---|
| MAIN PART MODEL CODE |   |   |   |   |   |   |   |   |    |    |    |    |    | DIAPHRAGM SEAL MODEL CODE |   |   |   |   |   |   |   |   |   |
| 1                    | 2 | 3 | 4 | 5 | 6 | 7 | 8 | 9 | 10 | 11 | 12 | 13 | 14 | 15                        | 1 | 2 | 3 | 4 | 5 | 6 | 7 |   |   |
| F                    | K | B | □ | □ | □ | V | 6 | - | □  | □  | □  | □  | Y  | -                         | 0 | □ | S | A | □ | □ | □ | R | □ |
| F                    | K | M |   |   |   |   |   |   |    |    |    |    |    |                           |   |   |   |   |   |   |   |   |   |



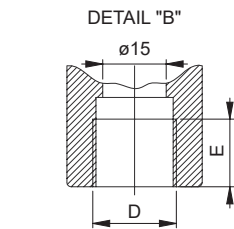
Gauge and absolute pressure: FKB, FKM [<T shape>, rigid assembly, short design, flange with PN ≤ 50 bar]



TECHNICAL INFORMATION FOR FLUSHING RINGS



| FLUSHING RINGS DIMENSIONS |           |     |     |    |                 |
|---------------------------|-----------|-----|-----|----|-----------------|
| FLANGE SIZE               | HOLES "C" | øP  | øR  | S  | FLANGE STANDARD |
| DN50                      | 1/4-18NPT | 102 | 70  | 30 | EN 1092-1       |
|                           | 1/2-14NPT |     |     |    |                 |
| NPS 2"                    | 1/4-18NPT | 92  | 65  | 30 | EN 1759-1       |
|                           | 1/2-14NPT |     |     |    |                 |
| DN80                      | 1/4-18NPT | 138 | 91  | 30 | EN 1092-1       |
|                           | 1/2-14NPT |     |     |    |                 |
| NPS 3"                    | 1/4-18NPT | 127 | 91  | 30 | EN 1759-1       |
|                           | 1/2-14NPT |     |     |    |                 |
| DN100                     | 1/4-18NPT | 162 | 116 | 30 | EN 1092-1       |
|                           | 1/2-14NPT |     |     |    |                 |
| NPS 4"                    | 1/4-18NPT | 157 | 116 | 30 | EN 1759-1       |
|                           | 1/2-14NPT |     |     |    |                 |



SEE TABLE 1

| 3 <sup>RD</sup> DIGIT OF DIAPHRAGM SEAL | FLANGE SIZE AND RATING | øEd | F MIN | øG  | H   | N×øJ   | øK    | WEIGHT (kg) | FLANGE STANDARD |
|---|------------------------|-----|-------|-----|-----|--------|-------|-------------|-----------------|
| H                                       | CLASS 150 NPS 2"       | 152 | 21    | 92  | 1.6 | 4×19   | 120.6 | 2.7         | EN 1759-1       |
| 4                                       | CLASS 150 NPS 3"       | 190 | 24    | 127 | 1.6 | 4×19   | 152.4 | 5.3         | EN 1759-1       |
| 5                                       | CLASS 150 NPS 4"       | 229 | 24    | 157 | 1.6 | 8×19   | 190.5 | 7.7         | EN 1759-1       |
| J                                       | CLASS 300 NPS 2"       | 165 | 22.5  | 92  | 1.6 | 8×19   | 127   | 3.7         | EN 1759-1       |
| 6                                       | CLASS 300 NPS 3"       | 210 | 28.5  | 127 | 1.6 | 8×22.2 | 168.3 | 7.8         | EN 1759-1       |
| 7                                       | CLASS 300 NPS 4"       | 254 | 32    | 157 | 1.6 | 8×22.2 | 200   | 12.7        | EN 1759-1       |
| G                                       | PN40 DN50              | 165 | 20    | 102 | 2   | 4×18   | 125   | 3.3         | EN 1092-1       |
| 8                                       | PN40 DN80              | 200 | 24    | 138 | 2   | 8×18   | 160   | 5.8         | EN 1092-1       |
| 9                                       | PN16 DN100             | 220 | 22    | 158 | 2   | 8×18   | 180   | 5.9         | EN 1092-1       |

| 4 <sup>TH</sup> DIGIT OF TRANSMITTER | ELECTRICAL CONDUIT |      |
|--------------------------------------|--------------------|------|
|                                      | D                  | E    |
| 6                                    | 1/2-14NPT          | 16   |
| 7                                    | Pg13.5             | 10.5 |
| 8                                    | M20×1.5            | 16   |

TABLE 1

| 5 <sup>TH</sup> DIGIT OF DIAPHRAGM SEAL | EXTENSION L |
|---|-------------|
| Y                                       | 0           |
| A, E, J, P                              | 50          |
| B, F, K, R                              | 100         |
| C, G, L, S                              | 150         |
| D, H, M, T                              | 200         |

| 6 <sup>TH</sup> DIGIT | Q   | W   |
|-----------------------|-----|-----|
| 1, 2, 3, 4            | 154 | 131 |
| 5                     | 162 | 139 |

| 3 <sup>RD</sup> DIGIT OF DIAPHRAGM SEAL  | FLANGE SIZE AND RATING                             | øMb   | øExt{ΦMb}  | øMb                 | øExt{ΦMb}                          |
|--|--|-------|------------|---------------------|------------------------------------|
| H  | CLASS 150 NPS 2"                                   | 59    | 48{48}     | 59                  | 48.3{47}                           |
| 4  | CLASS 150 NPS 3"                                   | 73    | 73{73}     | 89                  | 76{72}                             |
| 5  | CLASS 150 NPS 4"                                   | 96    | 96{96}     | 89                  | 94{89}                             |
| J  | CLASS 300 NPS 2"                                   | 59    | 48{48}     | 59                  | 48.3{47}                           |
| 6  | CLASS 300 NPS 3"                                   | 73    | 73{73}     | 89                  | 76{72}                             |
| 7  | CLASS 300 NPS 4"                                   | 96    | 96{96}     | 89                  | 94{89}                             |
| G  | PN40 DN50  | 59    | 48{48}     | 59                  | 48.3{47}                           |
| 8  | PN40 DN80  | 73    | 73{73}     | 89                  | 76{72}                             |
| 9  | PN16 DN100   | 96    | 96{96}     | 89                  | 94{89}                             |
| CONDITIONS OF DIAPHRAGM SEAL MODEL CODES | 4 <sup>TH</sup> DIGIT OF DIAPHRAGM SEAL (MATERIAL) | V     | V          | H, B, T, P, R, C, F | H, B, T                            |
|  | 5 <sup>TH</sup> DIGIT OF DIAPHRAGM SEAL            | Y     | A, B, C, D | Y                   | E, F, G, H, J, K, L, M, P, R, S, T |
|  | (EXTENSION LENGTH)                                 | (L=0) | (L≠0)      | (L=0)               | (L≠0)                              |

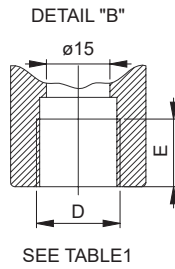
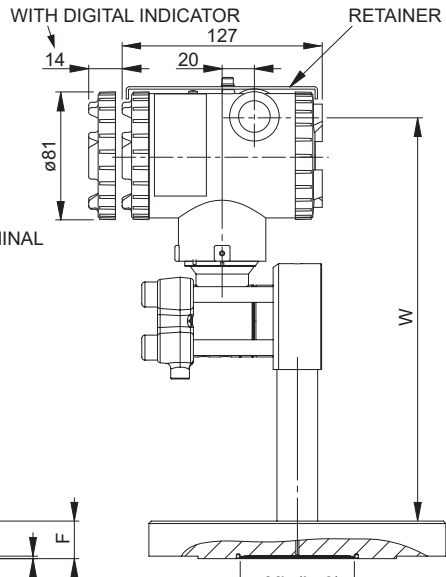
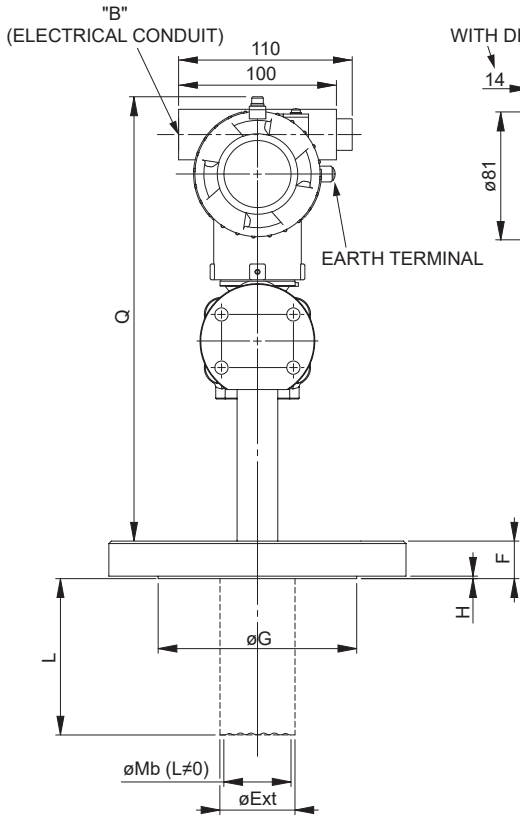
WEIGHT:  
 TRANSMITTER ONLY : - 4.0 kg (WITHOUT OPTION)  
 ADD :  
 - FLANGES WEIGHT  
 - 0.2 kg FOR INDICATOR  
 - 2.0 kg FOR STAINLESS STEEL HOUSING OPTION

MODEL CODE

| MAIN PART MODEL CODE |   |   |   |   |   |   |   |   |    |    |    |    |    |    |
|----------------------|---|---|---|---|---|---|---|---|----|----|----|----|----|----|
| 1                    | 2 | 3 | 4 | 5 | 6 | 7 | 8 | 9 | 10 | 11 | 12 | 13 | 14 | 15 |
| F                    | K | B | □ | □ | □ | V | 6 | - | □  | □  | □  | □  | Y  | 0  |
| F                    | K | M |   |   |   |   |   |   |    |    |    |    |    |    |

| DIAPHRAGM SEAL MODEL CODE |   |   |   |   |   |   |
|---------------------------|---|---|---|---|---|---|
| 1                         | 2 | 3 | 4 | 5 | 6 | 7 |
| S                         | A | □ | □ | □ | R | □ |

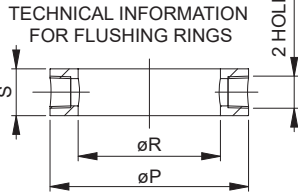
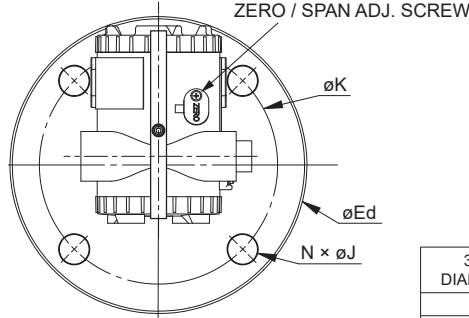
Gauge and absolute pressure: FKB, FKM [<T shape>, rigid assembly, long design, flange with PN ≤ 50 bar]



SEE TABLE 1

| 4 <sup>TH</sup> DIGIT OF TRANSMITTER | ELECTRICAL CONDUIT |      |
|--------------------------------------|--------------------|------|
|                                      | D                  | E    |
| 6                                    | 1/2-14NPT          | 16   |
| 7                                    | Pg13.5             | 10.5 |
| 8                                    | M20×1.5            | 16   |

TABLE 1



| 6 <sup>TH</sup> DIGIT | Q   | W   |
|-----------------------|-----|-----|
| 1, 2, 3, 4            | 282 | 259 |
| 5                     | 290 | 267 |

| 5 <sup>TH</sup> DIGIT OF DIAPHRAGM SEAL | EXTENSION L |
|---|-------------|
| Y                                       | 0           |
| A, E, J, P                              | 50          |
| B, F, K, R                              | 100         |
| C, G, L, S                              | 150         |
| D, H, M, T                              | 200         |

| FLANGE SIZE | HOLES "C" | ØP  | ØR  | S  | FLANGE STANDARD |
|-------------|-----------|-----|-----|----|-----------------|
| DN50        | 1/4-18NPT | 102 | 70  | 30 | EN 1092-1       |
|             | 1/2-14NPT |     |     |    |                 |
| NPS 2"      | 1/4-18NPT | 92  | 65  | 30 | EN 1759-1       |
|             | 1/2-14NPT |     |     |    |                 |
| DN80        | 1/4-18NPT | 138 | 91  | 30 | EN 1092-1       |
|             | 1/2-14NPT |     |     |    |                 |
| NPS 3"      | 1/4-18NPT | 127 | 91  | 30 | EN 1759-1       |
|             | 1/2-14NPT |     |     |    |                 |
| DN100       | 1/4-18NPT | 162 | 116 | 30 | EN 1092-1       |
|             | 1/2-14NPT |     |     |    |                 |
| NPS 4"      | 1/4-18NPT | 157 | 116 | 30 | EN 1759-1       |
|             | 1/2-14NPT |     |     |    |                 |

| 3 <sup>RD</sup> DIGIT OF DIAPHRAGM SEAL  | FLANGE SIZE AND RATING                                     | ØMb | ØExt{ØMb}  | CONDITIONS OF DIAPHRAGM SEAL MODEL CODES |                                    |
|--|--|-----|------------|--|------------------------------------|
|  |  |     |            | ØMb                                      | ØExt{ØMb}                          |
| H  | CLASS 150 NPS 2"   | 59  | 48{48}     | 59                                       | 48.3{47}                           |
| 4  | CLASS 150 NPS 3"   | 73  | 73{73}     | 89                                       | 76{72}                             |
| 5  | CLASS 150 NPS 4"   | 96  | 96{96}     | 89                                       | 94{89}                             |
| J  | CLASS 300 NPS 2"   | 59  | 48{48}     | 59                                       | 48.3{47}                           |
| 6  | CLASS 300 NPS 3"   | 73  | 73{73}     | 89                                       | 76{72}                             |
| 7  | CLASS 300 NPS 4"   | 96  | 96{96}     | 89                                       | 94{89}                             |
| G  | PN40 DN50  | 59  | 48{48}     | 59                                       | 48.3{47}                           |
| 8  | PN40 DN80  | 73  | 73{73}     | 89                                       | 76{72}                             |
| 9  | PN16 DN100   | 96  | 96{96}     | 89                                       | 94{89}                             |
| CONDITIONS OF DIAPHRAGM SEAL MODEL CODES | 4 <sup>TH</sup> DIGIT OF DIAPHRAGM SEAL (MATERIAL)         | V   | V          | H, B, T, P, R, C, F                      |                                    |
|  | 5 <sup>TH</sup> DIGIT OF DIAPHRAGM SEAL (EXTENSION LENGTH) | Y   | A, B, C, D | Y  | E, F, G, H, J, K, L, M, P, R, S, T |

| 3 <sup>RD</sup> DIGIT OF DIAPHRAGM SEAL | FLANGE SIZE AND RATING | ØEd | F MIN | ØG  | H   | N×ØJ   | ØK    | WEIGHT (kg) | FLANGE STANDARD |
|---|------------------------|-----|-------|-----|-----|--------|-------|-------------|-----------------|
| H                                       | CLASS 150 NPS 2"       | 152 | 21    | 92  | 1.6 | 4×19   | 120.6 | 2.7         | EN 1759-1       |
| 4                                       | CLASS 150 NPS 3"       | 190 | 24    | 127 | 1.6 | 4×19   | 152.4 | 5.3         | EN 1759-1       |
| 5                                       | CLASS 150 NPS 4"       | 229 | 24    | 157 | 1.6 | 8×19   | 190.5 | 7.7         | EN 1759-1       |
| J                                       | CLASS 300 NPS 2"       | 165 | 22.5  | 92  | 1.6 | 8×19   | 127   | 3.7         | EN 1759-1       |
| 6                                       | CLASS 300 NPS 3"       | 210 | 28.5  | 127 | 1.6 | 8×22.2 | 168.3 | 7.8         | EN 1759-1       |
| 7                                       | CLASS 300 NPS 4"       | 254 | 32    | 157 | 1.6 | 8×22.2 | 200   | 12.7        | EN 1759-1       |
| G                                       | PN40 DN50              | 165 | 20    | 102 | 2   | 4×18   | 125   | 3.3         | EN 1092-1       |
| 8                                       | PN40 DN80              | 200 | 24    | 138 | 2   | 8×18   | 160   | 5.8         | EN 1092-1       |
| 9                                       | PN16 DN100             | 220 | 22    | 158 | 2   | 8×18   | 180   | 5.9         | EN 1092-1       |

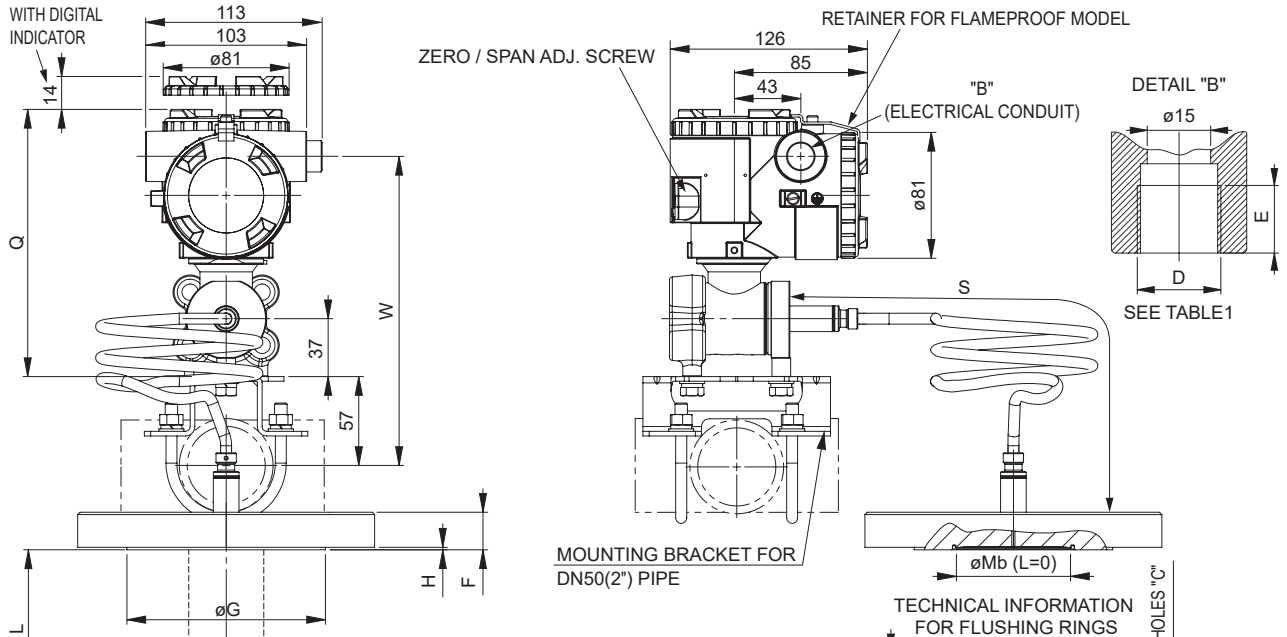
WEIGHT :  
 TRANSMITTER ONLY : - 4.0 kg (WITHOUT OPTION)  
 - FLANGES WEIGHT  
 ADD :  
 - 0.2 kg FOR INDICATOR  
 - 2.0 kg FOR STAINLESS STEEL HOUSING OPTION

MODEL CODE

| MAIN PART MODEL CODE |   |   |   |   |   |   |   |   |    |    |    |    |    |    |
|----------------------|---|---|---|---|---|---|---|---|----|----|----|----|----|----|
| 1                    | 2 | 3 | 4 | 5 | 6 | 7 | 8 | 9 | 10 | 11 | 12 | 13 | 14 | 15 |
| F                    | K | B | □ | □ | V | 6 | - | □ | □  | □  | □  | Y  | -  | 0  |
| F                    | K | M |   |   |   |   |   |   |    |    |    |    |    |    |

| DIAPHRAGM SEAL MODEL CODE |   |   |   |   |   |   |
|---------------------------|---|---|---|---|---|---|
| 1                         | 2 | 3 | 4 | 5 | 6 | 7 |
| S                         | A | □ | □ | □ | R | □ |

Gauge and absolute pressure: FKB, FKM [ <L shape>, capillary assembly, flange with PN ≤ 50 bar]

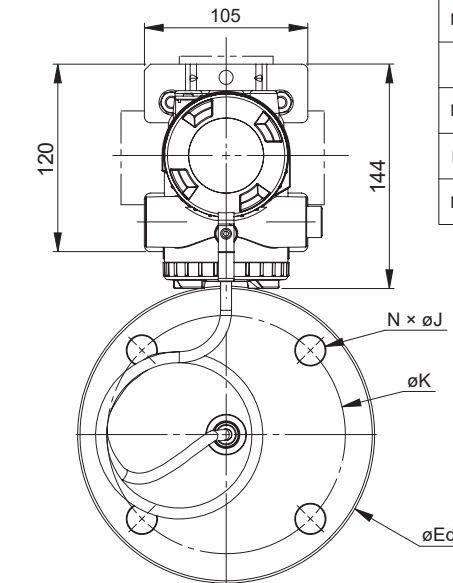


| FLUSHING RINGS DIMENSIONS |           |     |     |    |                 |
|---------------------------|-----------|-----|-----|----|-----------------|
| FLANGE SIZE               | HOLES "C" | øP  | øR  | S  | FLANGE STANDARD |
| DN50                      | 1/4-18NPT | 102 | 70  | 30 | EN 1092-1       |
|                           | 1/2-14NPT |     |     |    |                 |
| NPS 2"                    | 1/4-18NPT | 92  | 65  | 30 | EN 1759-1       |
|                           | 1/2-14NPT |     |     |    |                 |
| DN80                      | 1/4-18NPT | 138 | 91  | 30 | EN 1092-1       |
|                           | 1/2-14NPT |     |     |    |                 |
| NPS 3"                    | 1/4-18NPT | 127 | 91  | 30 | EN 1759-1       |
|                           | 1/2-14NPT |     |     |    |                 |
| DN100                     | 1/4-18NPT | 162 | 116 | 30 | EN 1092-1       |
|                           | 1/2-14NPT |     |     |    |                 |
| NPS 4"                    | 1/4-18NPT | 157 | 116 | 30 | EN 1759-1       |
|                           | 1/2-14NPT |     |     |    |                 |

| 4 <sup>TH</sup> DIGIT OF TRANSMITTER | ELECTRICAL CONDUIT |      |
|--------------------------------------|--------------------|------|
|                                      | D                  | E    |
| T                                    | 1/2-14NPT          | 16   |
| V                                    | Pg13.5             | 10.5 |
| W                                    | M20×1.5            | 16   |

TABLE 1

| 6 <sup>TH</sup> DIGIT | CONDUIT CONNECTION |     |
|-----------------------|--------------------|-----|
|                       | Q                  | W   |
| 1, 2, 3               | 171                | 198 |



| 5 <sup>TH</sup> DIGIT OF DIAPHRAGM SEAL | EXTENSION L |
|---|-------------|
| Y                                       | 0           |
| A, E, J, P                              | 50          |
| B, F, K, R                              | 100         |
| C, G, L, S                              | 150         |
| D, H, M, T                              | 200         |

| 6 <sup>TH</sup> DIGIT OF DIAPHRAGM SEAL | CAPILLARY LENGTH S (m) |
|---|------------------------|
| A, G                                    | 1.5                    |
| B, H                                    | 3                      |
| C, K                                    | 6                      |
| D, L                                    | UPON REQUEST           |

| 3 <sup>RD</sup> DIGIT OF DIAPHRAGM SEAL  | FLANGE SIZE AND RATING                  | øMb       | øExt{øMb}  | øMb                 | øExt{øMb}                          |
|--|---|-----------|------------|---------------------|------------------------------------|
| H  | CLASS 150 NPS 2"                        | 59        | 48{48}     | 59                  | 48.3{47}                           |
| 4  | CLASS 150 NPS 3"                        | 73        | 73{73}     | 89                  | 76{72}                             |
| 5  | CLASS 150 NPS 4"                        | 96        | 96{96}     | 89                  | 94{89}                             |
| J  | CLASS 300 NPS 2"                        | 59        | 48{48}     | 59                  | 48.3{47}                           |
| 6  | CLASS 300 NPS 3"                        | 73        | 73{73}     | 89                  | 76{72}                             |
| 7  | CLASS 300 NPS 4"                        | 96        | 96{96}     | 89                  | 94{89}                             |
| G  | DIN PN40 DN50                           | 59        | 48{48}     | 59                  | 48.3{47}                           |
| 8  | DIN PN40 DN80                           | 73        | 73{73}     | 89                  | 76{72}                             |
| 9  | DIN PN16 DN100                          | 96        | 96{96}     | 89                  | 94{89}                             |
| CONDITIONS OF DIAPHRAGM SEAL MODEL CODES | 4 <sup>TH</sup> DIGIT OF DIAPHRAGM SEAL | V         | V          | H, B, T, P, R, C, F | H, B, T                            |
|  | (MATERIAL)                              | (SS 316L) |            | (EXOTIC MATERIALS)  |                                    |
|  | 5 <sup>TH</sup> DIGIT OF DIAPHRAGM SEAL | Y         | A, B, C, D | Y                   | E, F, G, H, J, K, L, M, P, R, S, T |
| (EXTENSION LENGTH)                       | (L=0)                                   | (L≠0)     | (L=0)      | (L≠0)               |                                    |

| 3 <sup>RD</sup> DIGIT OF DIAPHRAGM SEAL | FLANGE SIZE AND RATING | øEd | F MIN | øG  | H   | N×øJ   | øK    | WEIGHT (kg) | FLANGE STANDARD |
|---|------------------------|-----|-------|-----|-----|--------|-------|-------------|-----------------|
| H                                       | CLASS 150 NPS 2"       | 152 | 21    | 92  | 1.6 | 4×19   | 120.6 | 2.7         | EN 1759-1       |
| 4                                       | CLASS 150 NPS 3"       | 190 | 24    | 127 | 1.6 | 4×19   | 152.4 | 5.3         | EN 1759-1       |
| 5                                       | CLASS 150 NPS 4"       | 229 | 24    | 157 | 1.6 | 8×19   | 190.5 | 7.7         | EN 1759-1       |
| J                                       | CLASS 300 NPS 2"       | 165 | 22.5  | 92  | 1.6 | 8×19   | 127   | 3.7         | EN 1759-1       |
| 6                                       | CLASS 300 NPS 3"       | 210 | 28.5  | 127 | 1.6 | 8×22.2 | 168.3 | 7.8         | EN 1759-1       |
| 7                                       | CLASS 300 NPS 4"       | 254 | 32    | 157 | 1.6 | 8×22.2 | 200   | 12.7        | EN 1759-1       |
| G                                       | PN40 DN50              | 165 | 20    | 102 | 2   | 4×18   | 125   | 3.3         | EN 1092-1       |
| 8                                       | PN40 DN80              | 200 | 24    | 138 | 2   | 8×18   | 160   | 5.8         | EN 1092-1       |
| 9                                       | PN16 DN100             | 220 | 22    | 158 | 2   | 8×18   | 180   | 5.9         | EN 1092-1       |

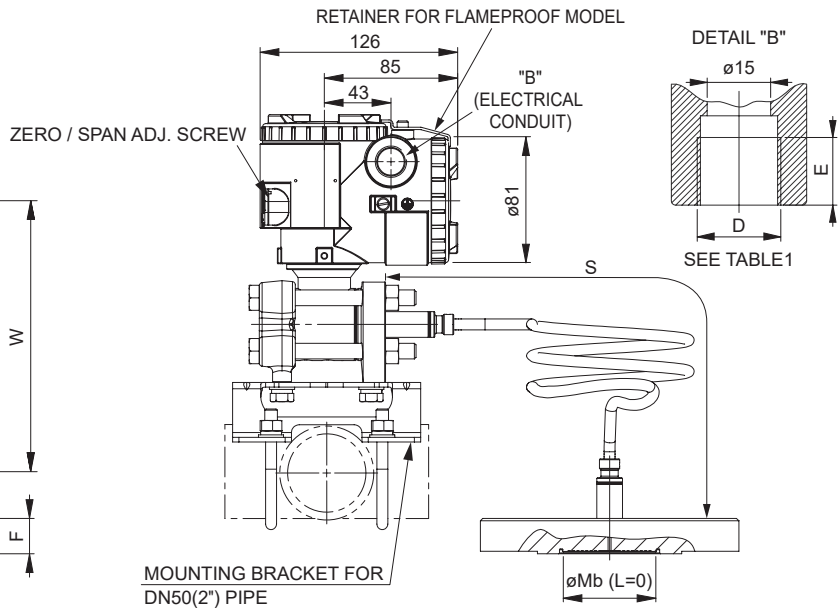
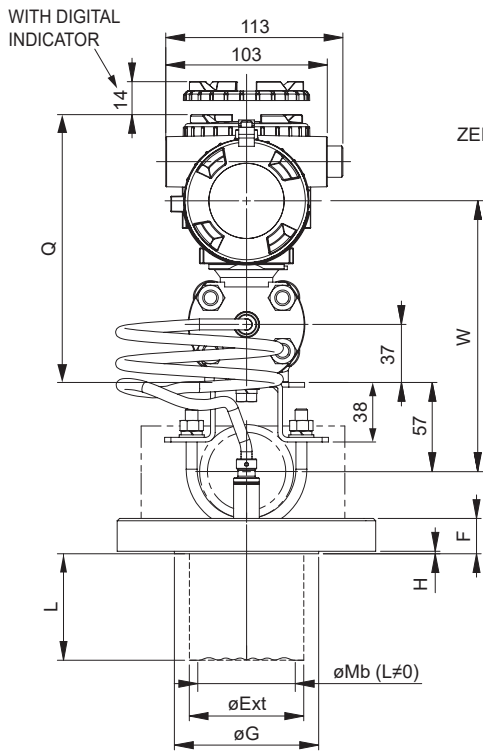
WEIGHT :  
 TRANSMITTER ONLY : - 3.5 kg (WITHOUT OPTION)  
 ADD :  
 - FLANGES WEIGHT  
 - 0.2 kg FOR INDICATOR  
 - 2.0 kg FOR STAINLESS STEEL HOUSING OPTION

MODEL CODE

| MAIN PART MODEL CODE |   |   |   |   |   |   |   |   |    |    |    |    |    |    |
|----------------------|---|---|---|---|---|---|---|---|----|----|----|----|----|----|
| 1                    | 2 | 3 | 4 | 5 | 6 | 7 | 8 | 9 | 10 | 11 | 12 | 13 | 14 | 15 |
| F                    | K | B | □ | □ | □ | V | 6 | - | □  | □  | □  | Y  | -  | 0  |
| F                    | K | M |   |   |   |   |   |   |    |    |    |    |    |    |

| DIAPHRAGM SEAL MODEL CODE |   |   |   |   |   |   |
|---------------------------|---|---|---|---|---|---|
| 1                         | 2 | 3 | 4 | 5 | 6 | 7 |
| S                         | A | □ | V | Y | □ | □ |

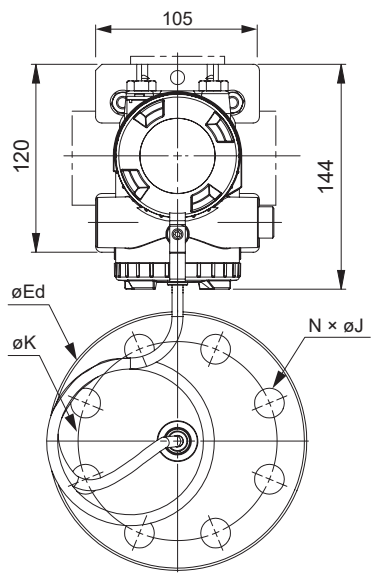
Gauge and absolute pressure: FKB, FKM [L shape], capillary assembly, flange with PN > 50 bar



| 6 <sup>TH</sup> DIGIT | Q   | W   |
|-----------------------|-----|-----|
| 1, 2, 3, 4            | 171 | 198 |
| 5                     | 173 | 200 |

| 4 <sup>TH</sup> DIGIT OF TRANSMITTER | ELECTRICAL CONDUIT |      |
|--------------------------------------|--------------------|------|
|                                      | D                  | E    |
| T                                    | 1/2-14NPT          | 16   |
| V                                    | Pg13.5             | 10.5 |
| W                                    | M20×1.5            | 16   |

TABLE 1



| 3 <sup>RD</sup> DIGIT OF DIAPHRAGM SEAL  | FLANGE SIZE AND RATING                                     | øMb       | øExt{ΦMb}  | øMb               | øExt{ΦMb}                          |                     |         |
|--|--|-----------|------------|-------------------|------------------------------------|---------------------|---------|
| *  | CLASS 600 (PN100) NPS 2"                                   | 59        | 48(48)     | Please contact us | Please contact us                  |                     |         |
| *  | CLASS 900 (PN150) NPS 2"                                   | 59        | 48(48)     |                   |                                    |                     |         |
| *  | CLASS 1500 (PN250) NPS 2"                                  | 59        | 48(48)     |                   |                                    |                     |         |
| *  | CLASS 2500 (PN420) NPS 2"                                  | 59        | 48(48)     |                   |                                    |                     |         |
| *  | DN50 PN100   | 59        | 48(48)     |                   |                                    |                     |         |
| *  | CLASS 600 (PN100) NPS 3"                                   | 73        | 73(73)     |                   |                                    |                     |         |
| *  | CLASS 900 (PN150) NPS 3"                                   | 73        | 73(73)     |                   |                                    |                     |         |
| *  | CLASS 1500 (PN250) NPS 3"                                  | 73        | 73(73)     |                   |                                    |                     |         |
| *  | CLASS 2500 (PN420) NPS 3"                                  | 73        | 73(73)     |                   |                                    |                     |         |
| *  | DN80 PN100   | 73        | 73(73)     |                   |                                    |                     |         |
| *  | CLASS 600 (PN100) NPS 4"                                   | 96        | 96(96)     |                   |                                    |                     |         |
| *  | CLASS 900 (PN150) NPS 4"                                   | 96        | 96(96)     |                   |                                    |                     |         |
| *  | CLASS 1500 (PN250) NPS 4"                                  | 96        | 96(96)     |                   |                                    |                     |         |
| *  | CLASS 2500 (PN420) NPS 4"                                  | 96        | 96(96)     |                   |                                    |                     |         |
| CONDITIONS OF DIAPHRAGM SEAL MODEL CODES | 4 <sup>TH</sup> DIGIT OF DIAPHRAGM SEAL (MATERIAL)         | V         | V          |                   |                                    | H, B, T, P, R, C, F | H, B, T |
|  |  | (SS 316L) |            |                   |                                    | (EXOTIC MATERIALS)  |         |
|  | 5 <sup>TH</sup> DIGIT OF DIAPHRAGM SEAL (EXTENSION LENGTH) | Y         | A, B, C, D | Y                 | E, F, G, H, J, K, L, M, P, R, S, T |                     |         |
|  |  | (L=0)     | (L≠0)      | (L=0)             | (L≠0)                              |                     |         |

| 5 <sup>TH</sup> DIGIT OF DIAPHRAGM SEAL | EXTENSION L |
|---|-------------|
| Y                                       | 0           |
| A, E, J, P                              | 50          |
| B, F, K, R                              | 100         |
| C, G, L, S                              | 150         |
| D, H, M, T                              | 200         |

| 6 <sup>TH</sup> DIGIT OF DIAPHRAGM SEAL | CAPILLARY LENGTH S (m) |
|---|------------------------|
| A, G                                    | 1.5                    |
| B, H                                    | 3                      |
| C, K                                    | 6                      |
| D, L                                    | UPON REQUEST           |

| 3 <sup>RD</sup> DIGIT OF DIAPHRAGM SEAL | FLANGE SIZE AND RATING    | øEd | F MIN | øG    | H   | N x øJ | øK    | WEIGHT (kg) (*) | FLANGE STANDARD |
|---|---------------------------|-----|-------|-------|-----|--------|-------|-----------------|-----------------|
| *                                       | CLASS 600 (PN100) NPS 2"  | 165 | 31.8  | 92    | 6.4 | 8x19   | 127   | 5.7             | EN 1759-1       |
| *                                       | CLASS 900 (PN150) NPS 2"  | 216 | 44.5  | 92    | 6.4 | 8x25.4 | 165.1 | 13.2            | EN 1759-1       |
| *                                       | CLASS 1500 (PN250) NPS 2" |     |       |       |     |        |       |                 | EN 1759-1       |
| *                                       | CLASS 2500 (PN420) NPS 2" | 235 | 57.2  | 92    | 6.4 | 8x28.6 | 171.4 | 19.8            | EN 1759-1       |
| *                                       | DN50 PN100                | 195 | 29    | 102   | 3   | 4x26   | 145   | 5.8             | EN 1092-1       |
| *                                       | CLASS 600 (PN100) NPS 3"  | 210 | 38.5  | 127   | 6.4 | 8x22.2 | 168.3 | 11              | EN 1759-1       |
| *                                       | CLASS 900 (PN150) NPS 3"  | 241 | 44.5  | 127   | 6.4 | 8x25.4 | 190.5 | 16.7            | EN 1759-1       |
| *                                       | CLASS 1500 (PN250) NPS 3" | 267 | 54    | 127   | 6.4 | 8x32   | 203.2 | 24.5            | EN 1759-1       |
| *                                       | CLASS 2500 (PN420) NPS 3" | 305 | 73.5  | 127   | 6.4 | 8x35   | 228.6 | 42.7            | EN 1759-1       |
| *                                       | DN80 PN100                | 230 | 32    | 138   | 3   | 8x26   | 180   | 9               | EN 1092-1       |
| *                                       | CLASS 600 (PN100) NPS 4"  | 273 | 45    | 157.2 | 6.4 | 8x25.4 | 216   | 21.5            | EN 1759-1       |
| *                                       | CLASS 900 (PN150) NPS 4"  | 292 | 50.8  | 157.2 | 6.4 | 4x31.8 | 235   | 27.7            | EN 1759-1       |
| *                                       | CLASS 1500 (PN250) NPS 4" | 311 | 60.4  | 157.2 | 6.4 | 8x35   | 241.3 | 37              | EN 1759-1       |
| *                                       | CLASS 2500 (PN420) NPS 4" | 356 | 82.6  | 157.2 | 6.4 | 8x41.3 | 273   | 65.7            | EN 1759-1       |

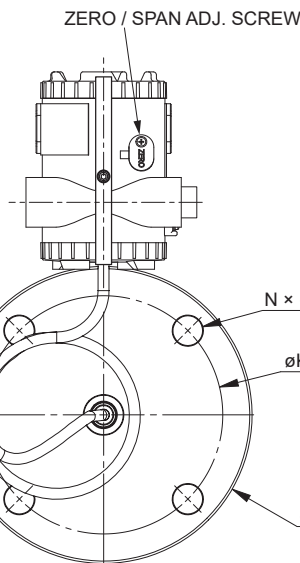
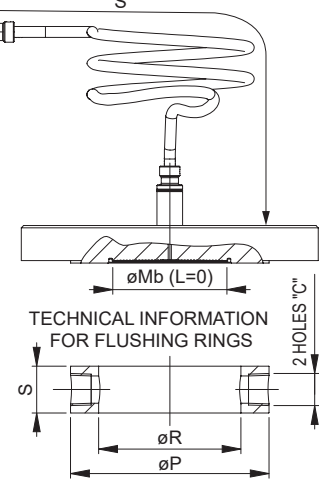
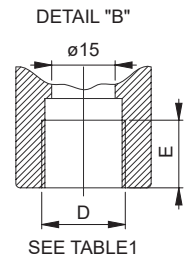
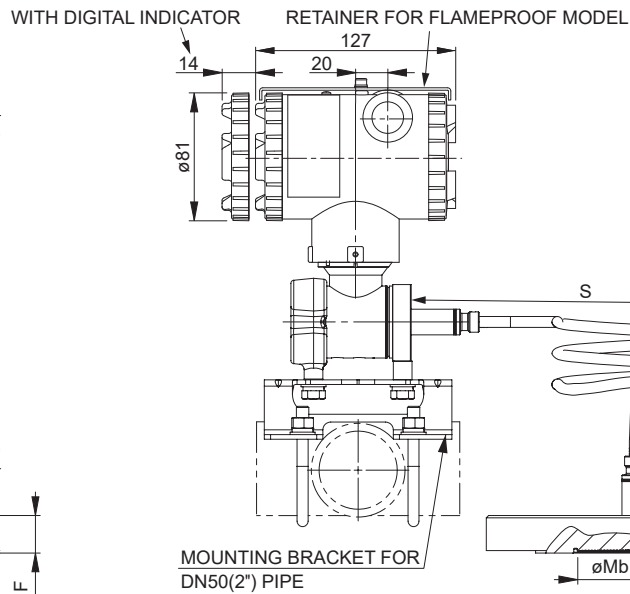
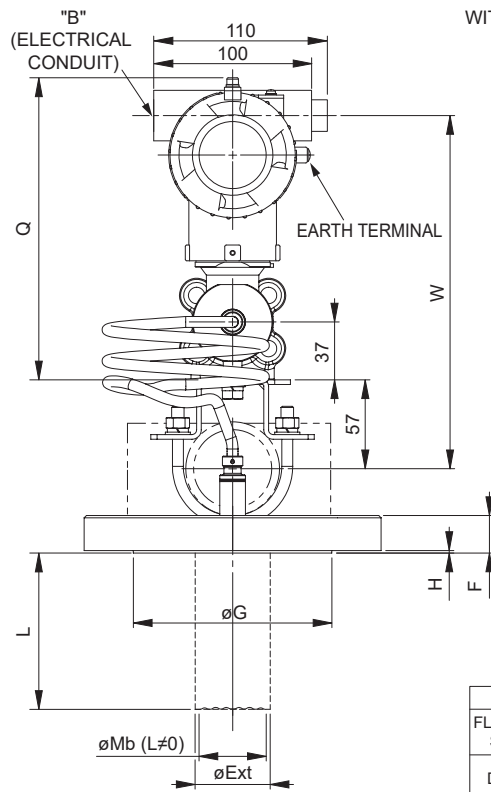
(\*) For the extension length = 0 and material in SS 316L.

WEIGHT :  
 TRANSMITTER ONLY : - 3.5 kg (WITHOUT OPTION)  
 ADD :  
 - FLANGES WEIGHT  
 - 1.0 kg PER 50 MM EXTENSION  
 - 0.2 kg FOR INDICATOR  
 - 2.0 kg FOR STAINLESS STEEL HOUSING OPTION

MODEL CODE

| MAIN PART MODEL CODE |   |   |   |   |   |   |   |   |    |    |    |    |    | DIAPHRAGM SEAL MODEL CODE |   |   |   |   |   |   |   |
|----------------------|---|---|---|---|---|---|---|---|----|----|----|----|----|---------------------------|---|---|---|---|---|---|---|
| 1                    | 2 | 3 | 4 | 5 | 6 | 7 | 8 | 9 | 10 | 11 | 12 | 13 | 14 | 15                        | 1 | 2 | 3 | 4 | 5 | 6 | 7 |
| F                    | K | B | □ | □ | □ | V | 6 | - | □  | □  | □  | Y  | -  | 0                         | S | A | □ | □ | □ | □ | □ |
| F                    | K | M |   |   |   |   |   |   |    |    |    |    |    |                           |   |   |   |   |   |   |   |

Gauge and absolute pressure: FKB, FKM [<T shape>, capillary assembly, flange with PN ≤ 50 bar ]



| FLUSHING RINGS DIMENSIONS |           |     |     |    |                 |
|---------------------------|-----------|-----|-----|----|-----------------|
| FLANGE SIZE               | HOLES "C" | øP  | øR  | S  | FLANGE STANDARD |
| DN50                      | 1/4-18NPT | 102 | 70  | 30 | EN 1092-1       |
|                           | 1/2-14NPT |     |     |    |                 |
| NPS 2"                    | 1/4-18NPT | 92  | 65  | 30 | EN 1759-1       |
|                           | 1/2-14NPT |     |     |    |                 |
| DN80                      | 1/4-18NPT | 138 | 91  | 30 | EN 1092-1       |
|                           | 1/2-14NPT |     |     |    |                 |
| NPS 3"                    | 1/4-18NPT | 127 | 91  | 30 | EN 1759-1       |
|                           | 1/2-14NPT |     |     |    |                 |
| DN100                     | 1/4-18NPT | 162 | 116 | 30 | EN 1092-1       |
|                           | 1/2-14NPT |     |     |    |                 |
| NPS 4"                    | 1/4-18NPT | 157 | 116 | 30 | EN 1759-1       |
|                           | 1/2-14NPT |     |     |    |                 |

| 4 <sup>TH</sup> DIGIT OF TRANSMITTER | ELECTRICAL CONDUIT |      |
|--------------------------------------|--------------------|------|
|                                      | D                  | E    |
| 6                                    | 1/2-14NPT          | 16   |
| 7                                    | Pg13.5             | 10.5 |
| 8                                    | M20×1.5            | 16   |

| 6 <sup>TH</sup> DIGIT | Q   | W   |
|-----------------------|-----|-----|
| 1, 2, 3               | 190 | 225 |

| 3 <sup>RD</sup> DIGIT OF DIAPHRAGM SEAL | FLANGE SIZE AND RATING | øMb | øExt(ΦMb) | øMb | øExt(ΦMb) |
|---|------------------------|-----|-----------|-----|-----------|
| H                                       | CLASS 150 NPS 2"       | 59  | 48(48)    | 59  | 48.3(47)  |
| 4                                       | CLASS 150 NPS 3"       | 73  | 73(73)    | 89  | 76(72)    |
| 5                                       | CLASS 150 NPS 4"       | 96  | 96(96)    | 89  | 94(89)    |
| J                                       | CLASS 300 NPS 2"       | 59  | 48(48)    | 59  | 48.3(47)  |
| 6                                       | CLASS 300 NPS 3"       | 73  | 73(73)    | 89  | 76(72)    |
| 7                                       | CLASS 300 NPS 4"       | 96  | 96(96)    | 89  | 94(89)    |
| G                                       | PN40 DN50              | 59  | 48(48)    | 59  | 48.3(47)  |
| 8                                       | PN40 DN80              | 73  | 73(73)    | 89  | 76(72)    |
| 9                                       | PN16 DN100             | 96  | 96(96)    | 89  | 94(89)    |

| CONDITIONS OF DIAPHRAGM SEAL MODEL CODES | 4 <sup>TH</sup> DIGIT OF DIAPHRAGM SEAL (MATERIAL)         | V     | V          | H, B, T, P, R, C, F | H, B, T                            |
|--|--|-------|------------|---------------------|------------------------------------|
|  | (SS 316L) (EXOTIC MATERIALS)                               |       |            |                     |                                    |
|  | 5 <sup>TH</sup> DIGIT OF DIAPHRAGM SEAL (EXTENSION LENGTH) | Y     | A, B, C, D | Y                   | E, F, G, H, J, K, L, M, P, R, S, T |
|  |  | (L=0) | (L≠0)      | (L=0)               | (L≠0)                              |

| 5 <sup>TH</sup> DIGIT OF DIAPHRAGM SEAL | EXTENSION L |
|---|-------------|
| Y                                       | 0           |
| A, E, J, P                              | 50          |
| B, F, K, R                              | 100         |
| C, G, L, S                              | 150         |
| D, H, M, T                              | 200         |

| 6 <sup>TH</sup> DIGIT OF DIAPHRAGM SEAL | CAPILLARY LENGTH S (m) |
|---|------------------------|
| A, G                                    | 1.5                    |
| B, H                                    | 3                      |
| C, K                                    | 6                      |
| D, L                                    | UPON REQUEST           |

| 3 <sup>RD</sup> DIGIT OF DIAPHRAGM SEAL | FLANGE SIZE AND RATING | øEd | F MIN | øG  | H   | N×øJ   | øK    | WEIGHT (kg) | FLANGE STANDARD |
|---|------------------------|-----|-------|-----|-----|--------|-------|-------------|-----------------|
| H                                       | CLASS 150 NPS 2"       | 152 | 21    | 92  | 1.6 | 4×19   | 120.6 | 2.7         | EN 1759-1       |
| 4                                       | CLASS 150 NPS 3"       | 190 | 24    | 127 | 1.6 | 4×19   | 152.4 | 5.3         | EN 1759-1       |
| 5                                       | CLASS 150 NPS 4"       | 229 | 24    | 157 | 1.6 | 8×19   | 190.5 | 7.7         | EN 1759-1       |
| J                                       | CLASS 300 NPS 2"       | 165 | 22.5  | 92  | 1.6 | 8×19   | 127   | 3.7         | EN 1759-1       |
| 6                                       | CLASS 300 NPS 3"       | 210 | 28.5  | 127 | 1.6 | 8×22.2 | 168.3 | 7.8         | EN 1759-1       |
| 7                                       | CLASS 300 NPS 4"       | 254 | 32    | 157 | 1.6 | 8×22.2 | 200   | 12.7        | EN 1759-1       |
| G                                       | PN40 DN50              | 165 | 20    | 102 | 2   | 4×18   | 125   | 3.3         | EN 1092-1       |
| 8                                       | PN40 DN80              | 200 | 24    | 138 | 2   | 8×18   | 160   | 5.8         | EN 1092-1       |
| 9                                       | PN16 DN100             | 220 | 22    | 158 | 2   | 8×18   | 180   | 5.9         | EN 1092-1       |

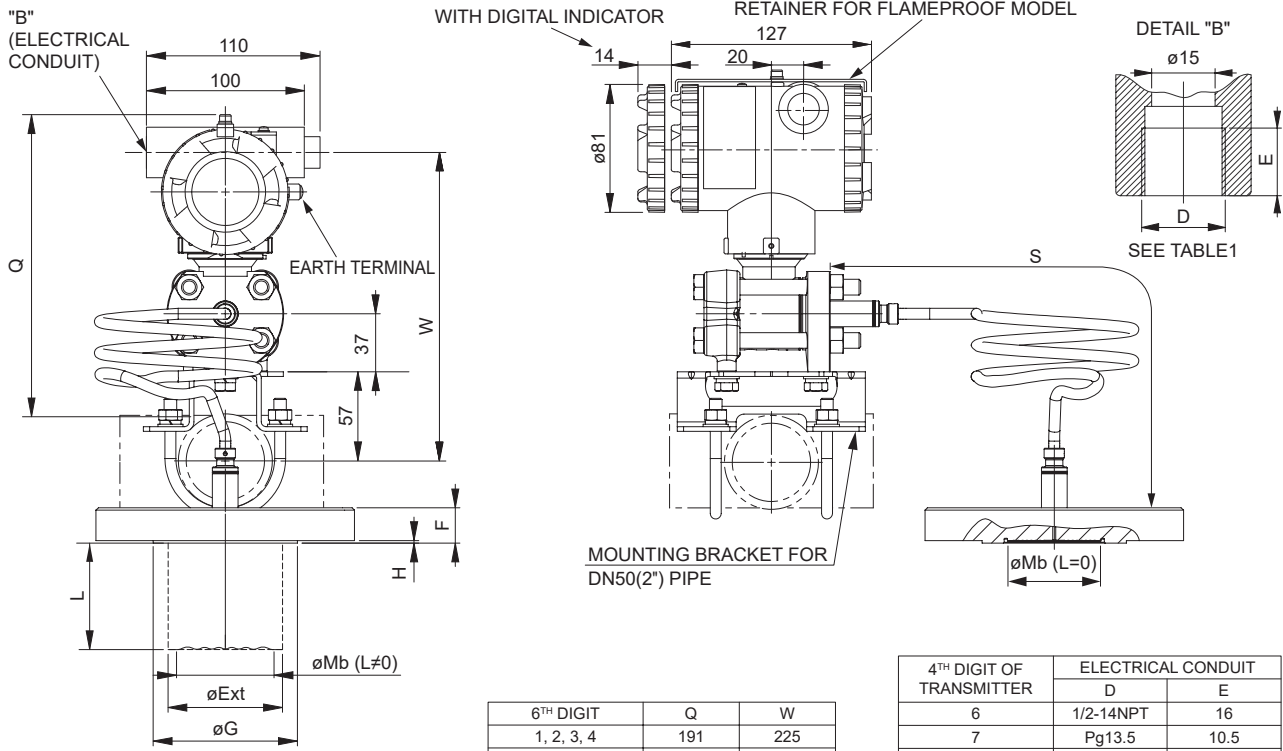
WEIGHT :  
 TRANSMITTER ONLY : - 3.5 kg (WITHOUT OPTION)  
 ADD :  
 - FLANGES WEIGHT  
 - 0.2 kg FOR INDICATOR  
 - 2.0 kg FOR STAINLESS STEEL HOUSING OPTION

MODEL CODE

MAIN PART MODEL CODE  
 1 2 3 4 5 6 7 8 9 10 11 12 13 14 15  
 F K B □ □ □ V 6 - □ □ □ □ Y - 0 □  
 F K M

DIAPHRAGM SEAL MODEL CODE  
 1 2 3 4 5 6 7  
 S A □ □ □ □ □

Gauge and absolute pressure: FKB, FKM [<T shape>, capillary assembly, flange with PN > 50 bar]

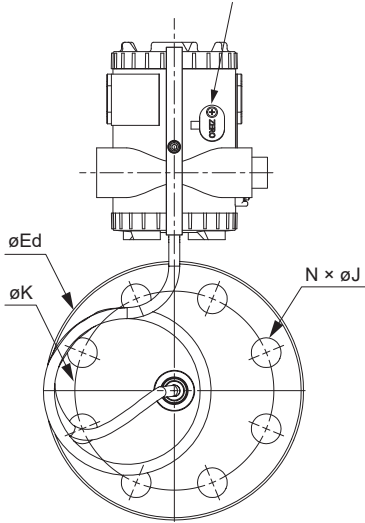


| 6 <sup>TH</sup> DIGIT | Q   | W   |
|-----------------------|-----|-----|
| 1, 2, 3, 4            | 191 | 225 |
| 5                     | 193 | 227 |

| 4 <sup>TH</sup> DIGIT OF TRANSMITTER | ELECTRICAL CONDUIT |      |
|--------------------------------------|--------------------|------|
|                                      | D                  | E    |
| 6                                    | 1/2-14NPT          | 16   |
| 7                                    | Pg13.5             | 10.5 |
| 8                                    | M20x1.5            | 16   |

TABLE 1

ZERO / SPAN ADJ. SCREW



| 3 <sup>RD</sup> DIGIT OF DIAPHRAGM SEAL  | FLANGE SIZE AND RATING                                     | øMb   | øExt{øMb}  | øMb                 | øExt{øMb}                          |
|--|--|-------|------------|---------------------|------------------------------------|
| *  | CLASS 600 (PN100) NPS 2"                                   | 59    | 48{48}     | Please contact us   | Please contact us                  |
| *  | CLASS 900 (PN150) NPS 2"                                   | 59    | 48{48}     |                     |                                    |
| *  | CLASS 1500 (PN250) NPS 2"                                  | 59    | 48{48}     |                     |                                    |
| *  | CLASS 2500 (PN420) NPS 2"                                  | 59    | 48{48}     |                     |                                    |
| *  | DN50 PN100   | 59    | 48{48}     |                     |                                    |
| *  | CLASS 600 (PN100) NPS 3"                                   | 73    | 73{73}     |                     |                                    |
| *  | CLASS 900 (PN150) NPS 3"                                   | 73    | 73{73}     |                     |                                    |
| *  | CLASS 1500 (PN250) NPS 3"                                  | 73    | 73{73}     |                     |                                    |
| *  | CLASS 2500 (PN420) NPS 3"                                  | 73    | 73{73}     |                     |                                    |
| *  | DN80 PN100   | 73    | 73{73}     |                     |                                    |
| *  | CLASS 600 (PN100) NPS 4"                                   | 96    | 96{96}     | Please contact us   | Please contact us                  |
| *  | CLASS 900 (PN150) NPS 4"                                   | 96    | 96{96}     |                     |                                    |
| *  | CLASS 1500 (PN250) NPS 4"                                  | 96    | 96{96}     |                     |                                    |
| *  | CLASS 2500 (PN420) NPS 4"                                  | 96    | 96{96}     |                     |                                    |
| CONDITIONS OF DIAPHRAGM SEAL MODEL CODES | 4 <sup>TH</sup> DIGIT OF DIAPHRAGM SEAL (MATERIAL)         | V     | V          | H, B, T, P, R, C, F | H, B, T                            |
|  | 5 <sup>TH</sup> DIGIT OF DIAPHRAGM SEAL (EXTENSION LENGTH) | Y     | A, B, C, D | Y                   | E, F, G, H, J, K, L, M, P, R, S, T |
|  |  | (L=0) | (L≠0)      | (L=0)               | (L≠0)                              |

| 5 <sup>TH</sup> DIGIT OF DIAPHRAGM SEAL | EXTENSION L |
|---|-------------|
| Y                                       | 0           |
| A, E, J, P                              | 50          |
| B, F, K, R                              | 100         |
| C, G, L, S                              | 150         |
| D, H, M, T                              | 200         |

| 6 <sup>TH</sup> DIGIT OF DIAPHRAGM SEAL | CAPILLARY LENGTH S (m) |
|---|------------------------|
| A, G                                    | 1.5                    |
| B, H                                    | 3                      |
| C, K                                    | 6                      |
| D, L                                    | UPON REQUEST           |

| 3 <sup>RD</sup> DIGIT OF DIAPHRAGM SEAL | FLANGE SIZE AND RATING    | øEd | F MIN | øG    | H   | NxøJ   | øK    | WEIGHT (kg) (*) | FLANGE STANDARD |
|---|---------------------------|-----|-------|-------|-----|--------|-------|-----------------|-----------------|
| *                                       | CLASS 600 (PN100) NPS 2"  | 165 | 31.8  | 92    | 6.4 | 8x19   | 127   | 5.7             | EN 1759-1       |
| *                                       | CLASS 900 (PN150) NPS 2"  | 216 | 44.5  | 92    | 6.4 | 8x25.4 | 165.1 | 13.2            | EN 1759-1       |
| *                                       | CLASS 1500 (PN250) NPS 2" |     |       |       |     |        |       |                 | EN 1759-1       |
| *                                       | CLASS 2500 (PN420) NPS 2" | 235 | 57.2  | 92    | 6.4 | 8x28.6 | 171.4 | 19.8            | EN 1759-1       |
| *                                       | DN50 PN100                | 195 | 29    | 102   | 3   | 4x26   | 145   | 5.8             | EN 1092-1       |
| *                                       | CLASS 600 (PN100) NPS 3"  | 210 | 38.5  | 127   | 6.4 | 8x22.2 | 168.3 | 11              | EN 1759-1       |
| *                                       | CLASS 900 (PN150) NPS 3"  | 241 | 44.5  | 127   | 6.4 | 8x25.4 | 190.5 | 16.7            | EN 1759-1       |
| *                                       | CLASS 1500 (PN250) NPS 3" | 267 | 54    | 127   | 6.4 | 8x32   | 203.2 | 24.5            | EN 1759-1       |
| *                                       | CLASS 2500 (PN420) NPS 3" | 305 | 73.5  | 127   | 6.4 | 8x35   | 228.6 | 42.7            | EN 1759-1       |
| *                                       | DN80 PN100                | 230 | 32    | 138   | 3   | 8x26   | 180   | 9               | EN 1092-1       |
| *                                       | CLASS 600 (PN100) NPS 4"  | 273 | 45    | 157.2 | 6.4 | 8x25.4 | 216   | 21.5            | EN 1759-1       |
| *                                       | CLASS 900 (PN150) NPS 4"  | 292 | 50.8  | 157.2 | 6.4 | 4x31.8 | 235   | 27.7            | EN 1759-1       |
| *                                       | CLASS 1500 (PN250) NPS 4" | 311 | 60.4  | 157.2 | 6.4 | 8x35   | 241.3 | 37              | EN 1759-1       |
| *                                       | CLASS 2500 (PN420) NPS 4" | 356 | 82.6  | 157.2 | 6.4 | 8x41.3 | 273   | 65.7            | EN 1759-1       |

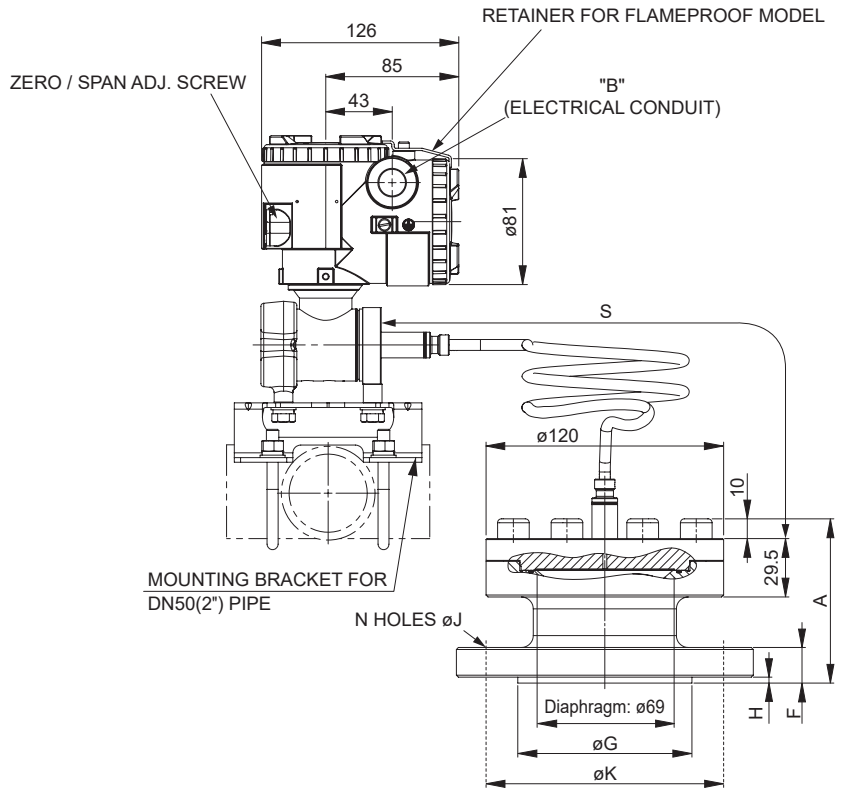
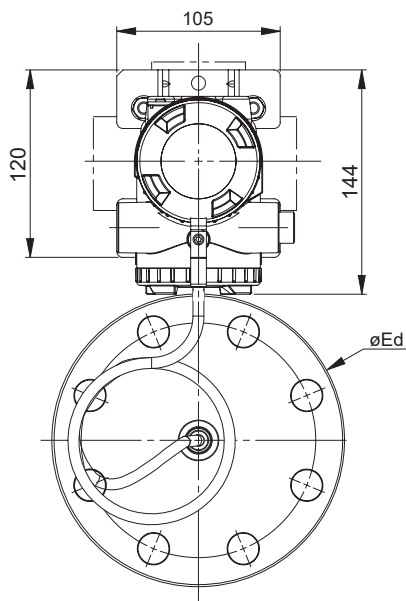
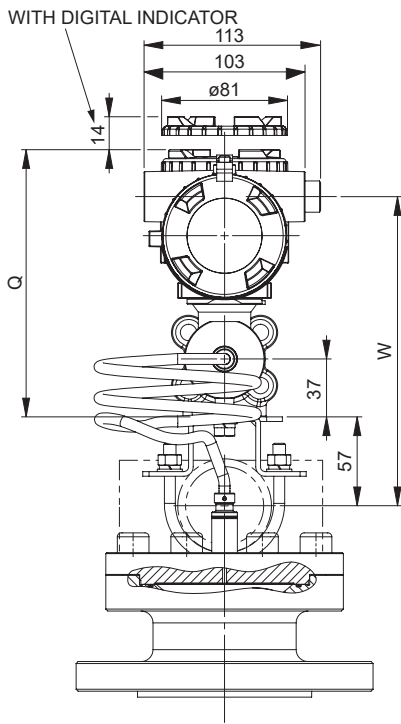
(\*) For the extension length = 0 and material in SS 316L.

WEIGHT :  
 TRANSMITTER ONLY : - 3.5 kg (WITHOUT OPTION)  
 ADD :  
 - FLANGES WEIGHT  
 - 1.0 kg PER 50 MM EXTENSION  
 - 0.2 kg FOR INDICATOR  
 - 2.0 kg FOR STAINLESS STEEL HOUSING OPTION

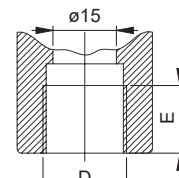
MODEL CODE

| MAIN PART MODEL CODE |   |   |   |   |   |   |   |   |    |    |    |    |    | DIAPHRAGM SEAL MODEL CODE |   |   |   |   |   |   |   |   |   |
|----------------------|---|---|---|---|---|---|---|---|----|----|----|----|----|---------------------------|---|---|---|---|---|---|---|---|---|
| 1                    | 2 | 3 | 4 | 5 | 6 | 7 | 8 | 9 | 10 | 11 | 12 | 13 | 14 | 15                        | 1 | 2 | 3 | 4 | 5 | 6 | 7 |   |   |
| F                    | K | B | □ | □ | □ | V | 6 | - | □  | □  | □  | □  | Y  | -                         | 0 | □ | S | A | □ | □ | □ | □ | □ |
| F                    | K | M |   |   |   |   |   |   |    |    |    |    |    |                           |   |   |   |   |   |   |   |   |   |

Gauge and absolute pressure: FKB, FKM [<L shape>, capillary assembly, flange adapter with PN ≤ 50 bar]



DETAIL "B"



SEE TABLE 1

| 4 <sup>TH</sup> DIGIT OF TRANSMITTER | ELECTRICAL CONDUIT |      |
|--------------------------------------|--------------------|------|
|                                      | D                  | E    |
| T                                    | 1/2-14NPT          | 16   |
| V                                    | Pg13.5             | 10.5 |
| W                                    | M20×1.5            | 16   |

TABLE 1

| 6 <sup>TH</sup> DIGIT | Q   | W   |
|-----------------------|-----|-----|
| 1, 2, 3               | 171 | 198 |

| 6 <sup>TH</sup> DIGIT OF SEAL DIAPHRAGM | CAPILLARY LENGTH S (m) |
|---|------------------------|
| A, G                                    | 1.5                    |
| B, H                                    | 3                      |
| C, K                                    | 6                      |
| D, L                                    | UPON REQUEST           |

| 3 <sup>RD</sup> DIGIT OF DIAPHRAGM SEAL | øEd | øK    | N | J    | øG   | F  | H   | A  | EN1092-1 |    | EN1759-1 |        |
|---|-----|-------|---|------|------|----|-----|----|----------|----|----------|--------|
|   |     |       |   |      |      |    |     |    | PN       | DN | CLASS    | NPS    |
| A                                       | 115 | 85    | 4 | 14   | 68   | 18 | 2   | 82 | 40       | 25 | -        | -      |
| B                                       | 108 | 79.4  | 4 | 15.8 | 50.8 | 18 | 1.6 | 81 | -        | -  | 150      | 1"     |
| C                                       | 124 | 88.9  | 4 | 19   | 50.8 | 18 | 1.6 | 89 | -        | -  | 300      | 1"     |
| D                                       | 150 | 110   | 4 | 18   | 88   | 18 | 3   | 83 | 40       | 40 | -        | -      |
| E                                       | 127 | 98.4  | 4 | 15.8 | 73   | 18 | 1.6 | 84 | -        | -  | 150      | 1 1/2" |
| F                                       | 156 | 114.3 | 4 | 22.2 | 73   | 21 | 1.6 | 85 | -        | -  | 300      | 1 1/2" |

WEIGHT :  
 TRANSMITTER ONLY : - 3.5 kg (WITHOUT OPTION)  
 - FLANGES WEIGHT  
 ADD :  
 - 0.2 kg FOR INDICATOR  
 - 2.0 kg FOR STAINLESS STEEL HOUSING OPTION

MODEL CODE

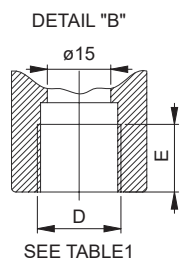
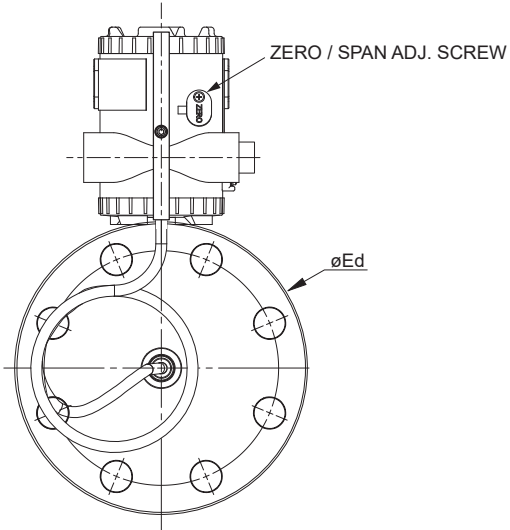
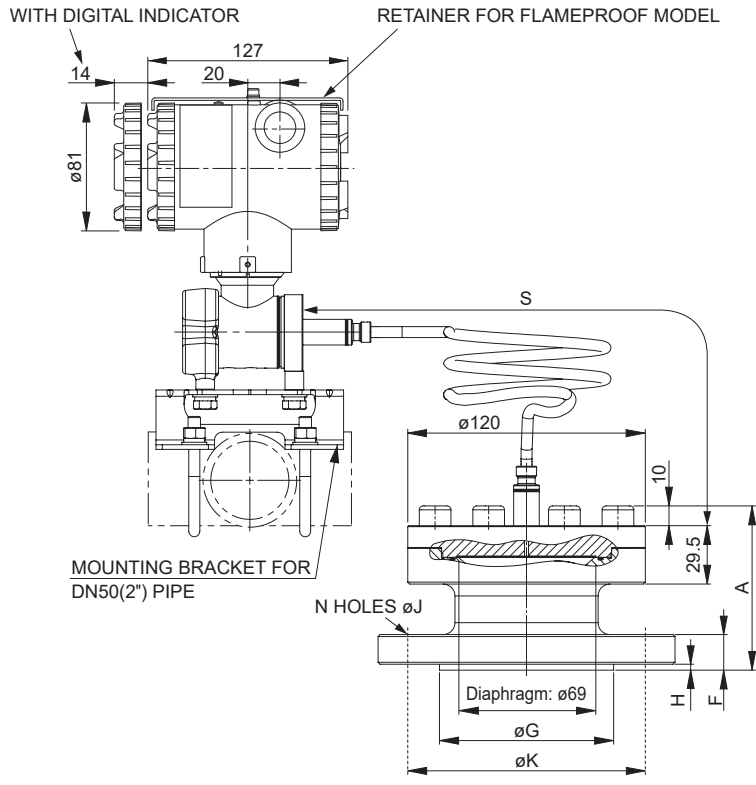
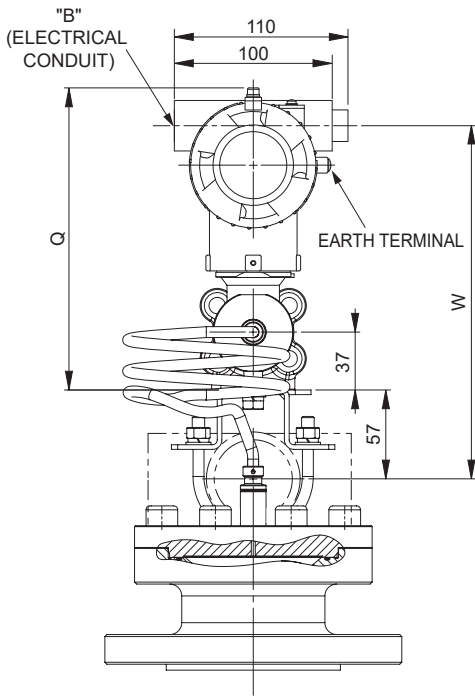
MAIN PART MODEL CODE

1 2 3 4 5 6 7 8 9 10 11 12 13 14 15  
 F K B □ □ □ V 6 - □ □ □ □ Y - 0 □  
 F K M

DIAPHRAGM SEAL MODEL CODE

1 2 3 4 5 6 7  
 S A □ V Y □ □

Gauge and absolute pressure: FKB, FKM [<T shape>, capillary assembly, flange adapter with PN ≤ 50 bar]



SEE TABLE 1

| 4 <sup>TH</sup> DIGIT OF TRANSMITTER | ELECTRICAL CONDUIT |      |
|--------------------------------------|--------------------|------|
|                                      | D                  | E    |
| 6                                    | 1/2-14NPT          | 16   |
| 7                                    | Pg13.5             | 10.5 |
| 8                                    | M20x1.5            | 16   |

TABLE 1

| 6 <sup>TH</sup> DIGIT | Q   | W   |
|-----------------------|-----|-----|
| 1, 2, 3               | 190 | 225 |

| 6 <sup>TH</sup> DIGIT OF DIAPHRAGM SEAL | CAPILLARY LENGTH S (m) |
|---|------------------------|
| A, G                                    | 1.5                    |
| B, H                                    | 3                      |
| C, K                                    | 6                      |
| D, L                                    | UPON REQUEST           |

| 3 <sup>RD</sup> DIGIT OF DIAPHRAGM SEAL | øEd | øK    | N | J    | øG   | F  | H   | A  | EN1092-1 |    | EN1759-1 |        |
|---|-----|-------|---|------|------|----|-----|----|----------|----|----------|--------|
|   |     |       |   |      |      |    |     |    | PN       | DN | CLASS    | NPS    |
| A                                       | 115 | 85    | 4 | 14   | 68   | 18 | 2   | 82 | 40       | 25 | -        | -      |
| B                                       | 108 | 79.4  | 4 | 15.8 | 50.8 | 16 | 1.6 | 81 | -        | -  | 150      | 1"     |
| C                                       | 124 | 88.9  | 4 | 19   | 50.8 | 18 | 1.6 | 89 | -        | -  | 300      | 1"     |
| D                                       | 150 | 110   | 4 | 18   | 88   | 18 | 3   | 83 | 40       | 40 | -        | -      |
| E                                       | 127 | 98.4  | 4 | 15.8 | 73   | 18 | 1.6 | 84 | -        | -  | 150      | 1 1/2" |
| F                                       | 156 | 114.3 | 4 | 22.2 | 73   | 21 | 1.6 | 85 | -        | -  | 300      | 1 1/2" |

WEIGHT :  
 TRANSMITTER ONLY : - 3.5 kg (WITHOUT OPTION)  
 - FLANGES WEIGHT  
 ADD : - 0.2 kg FOR INDICATOR  
 - 2.0 kg FOR STAINLESS STEEL HOUSING OPTION

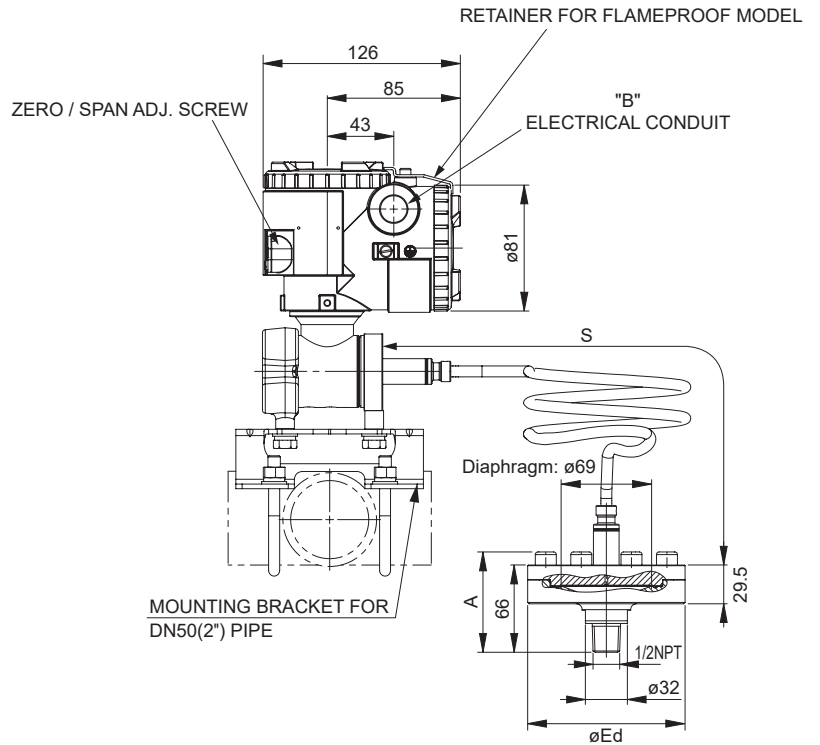
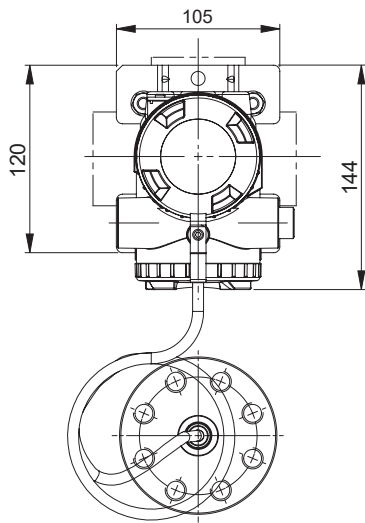
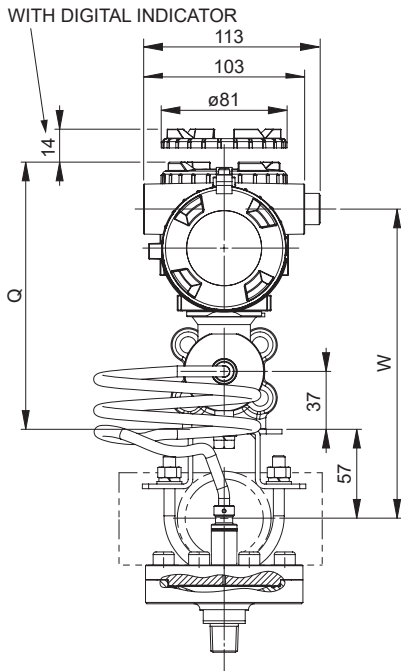
MODEL CODE

MAIN PART MODEL CODE  
 1 2 3 4 5 6 7 8 9 10 11 12 13 14 15  
 F K B □ □ □ V 6 - □ □ □ □ Y - 0 □  
 F K M

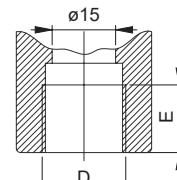
DIAPHRAGM SEAL MODEL CODE  
 1 2 3 4 5 6 7  
 S A □ V Y □ □



**Gauge and absolute pressure: FKB, FKM [<T shape>, capillary assembly, screwed adapter]**



DETAIL "B"



SEE TABLE 1

| 4 <sup>TH</sup> DIGIT OF TRANSMITTER | ELECTRICAL CONDUIT |      |
|--------------------------------------|--------------------|------|
|                                      | D                  | E    |
| T                                    | 1/2-14NPT          | 16   |
| V                                    | Pg13.5             | 10.5 |
| W                                    | M20x1.5            | 16   |

TABLE 1

| 3 <sup>RD</sup> DIGIT OF DIAPHRAGM SEAL | øEd | A  | CONNECTION      |
|---|-----|----|-----------------|
| S                                       | 120 | 76 | SCREWED 1/2 NPT |

| 6 <sup>TH</sup> DIGIT | Q   | W   |
|-----------------------|-----|-----|
| 1, 2, 3               | 171 | 198 |

| 6 <sup>TH</sup> DIGIT OF DIAPHRAGM SEAL | CAPILLARY LENGTH S (m) |
|---|------------------------|
| A, G                                    | 1.5                    |
| B, H                                    | 3                      |
| C, K                                    | 6                      |
| D, L                                    | UPON REQUEST           |

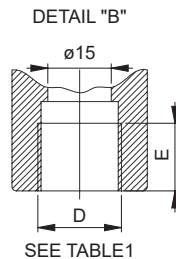
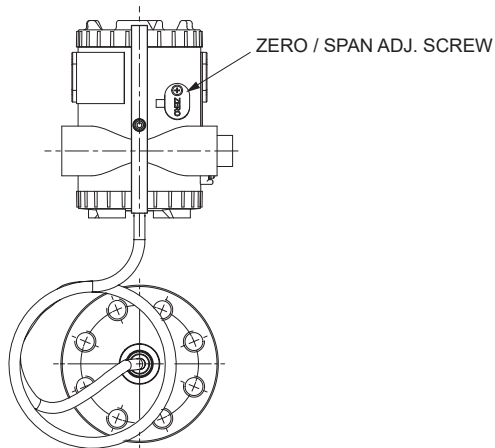
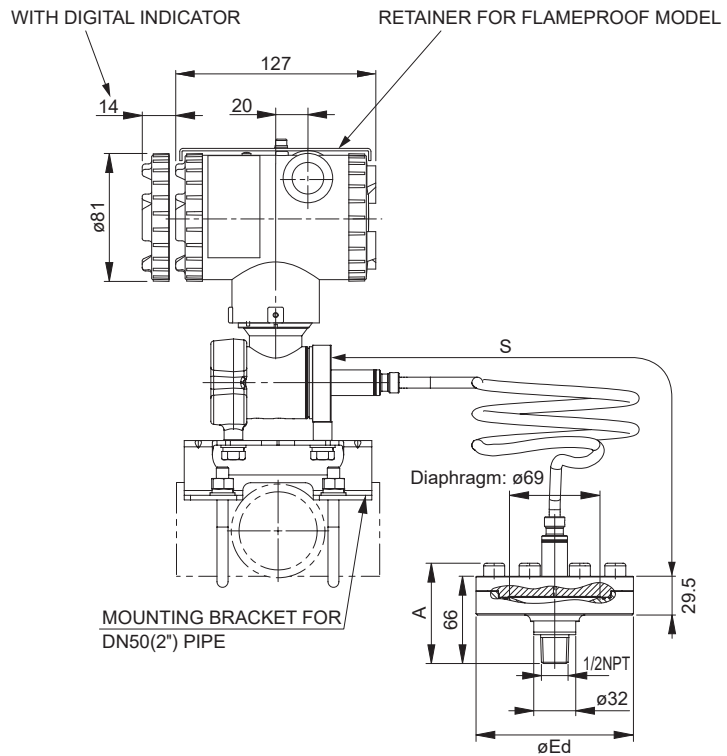
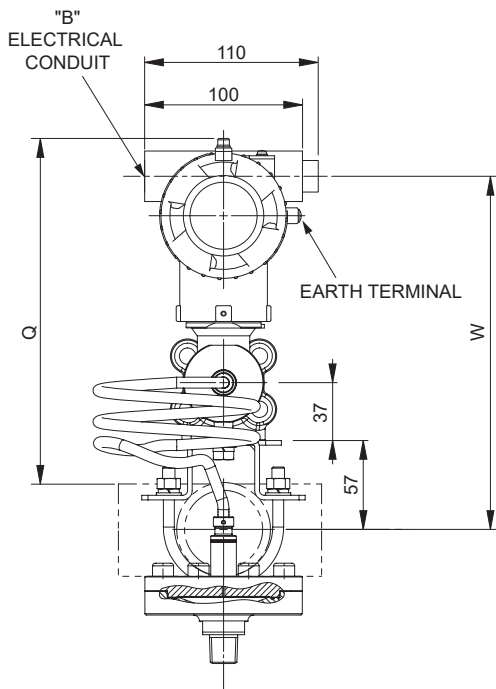
WEIGHT :  
 TRANSMITTER ONLY : - 3.5 kg (WITHOUT OPTION)  
 - FLANGES WEIGHT  
 ADD :  
 - 0.2 kg FOR INDICATOR  
 - 2.0 kg FOR STAINLESS STEEL HOUSING OPTION

**MODEL CODE**

| MAIN PART MODEL CODE |   |   |   |   |   |   |   |   |    |    |    |    |    |    |
|----------------------|---|---|---|---|---|---|---|---|----|----|----|----|----|----|
| 1                    | 2 | 3 | 4 | 5 | 6 | 7 | 8 | 9 | 10 | 11 | 12 | 13 | 14 | 15 |
| F                    | K | B | □ | □ | □ | V | 6 | - | □  | □  | □  | Y  | -  | 0  |
| F                    | K | M |   |   |   |   |   |   |    |    |    |    |    |    |

| DIAPHRAGM SEAL MODEL CODE |   |   |   |   |   |   |
|---------------------------|---|---|---|---|---|---|
| 1                         | 2 | 3 | 4 | 5 | 6 | 7 |
| S                         | A | □ | V | Y | □ | □ |

Gauge and absolute pressure: FKB, FKM [<T shape>, Capillary mounting, Screwed adapter]



| 4 <sup>TH</sup> DIGIT OF TRANSMITTER | ELECTRICAL CONDUIT |      |
|--------------------------------------|--------------------|------|
|                                      | D                  | E    |
| 6                                    | 1/2-14NPT          | 16   |
| 7                                    | Pg13.5             | 10.5 |
| 8                                    | M20×1.5            | 16   |

TABLE 1

| 3 <sup>RD</sup> DIGIT OF DIAPHRAGM SEAL | $\phi Ed$ | A  | CONNECTION      |
|---|-----------|----|-----------------|
| S                                       | 120       | 76 | SCREWED 1/2 NPT |

| 6 <sup>TH</sup> DIGIT | Q   | W   |
|-----------------------|-----|-----|
| 1, 2, 3               | 190 | 225 |

| 6 <sup>TH</sup> DIGIT OF DIAPHRAGM SEAL | CAPILLARY LENGTH S (m) |
|---|------------------------|
| A, G                                    | 1.5                    |
| B, H                                    | 3                      |
| C, K                                    | 6                      |
| D, L                                    | UPON REQUEST           |

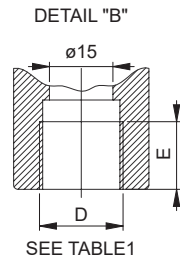
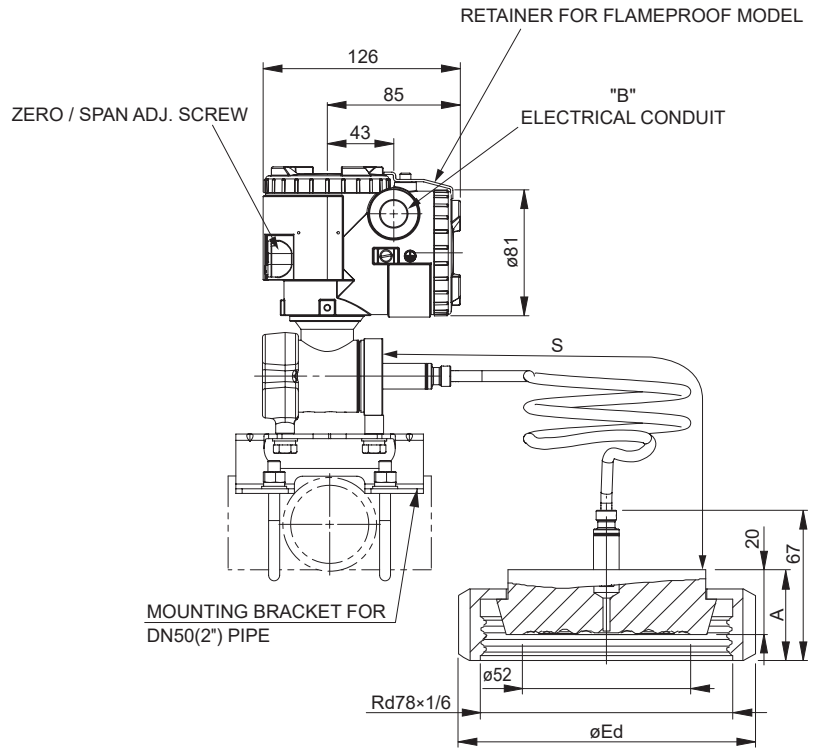
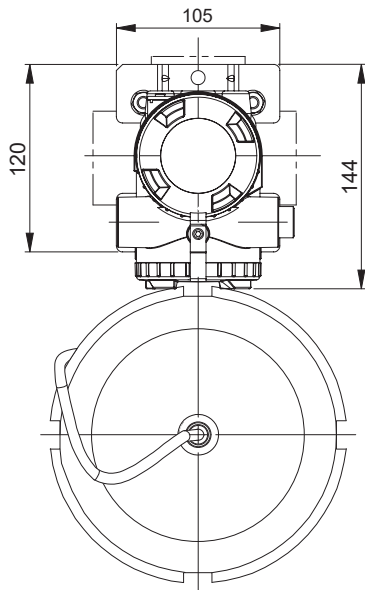
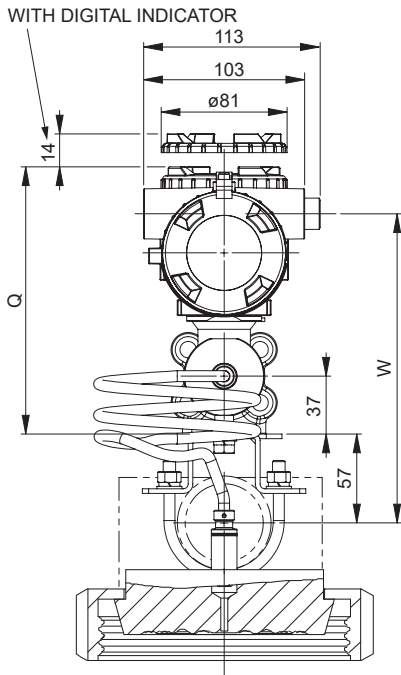
WEIGHT :  
 TRANSMITTER ONLY : - 3.5 kg (WITHOUT OPTION)  
 ADD :  
 - FLANGES WEIGHT  
 - 0.2 kg FOR INDICATOR  
 - 2.0 kg FOR STAINLESS STEEL HOUSING OPTION

MODEL CODE

| MAIN PART MODEL CODE |   |   |   |   |   |   |   |   |    |    |    |    |    |    |
|----------------------|---|---|---|---|---|---|---|---|----|----|----|----|----|----|
| 1                    | 2 | 3 | 4 | 5 | 6 | 7 | 8 | 9 | 10 | 11 | 12 | 13 | 14 | 15 |
| F                    | K | B | □ | □ | V | 6 | - | □ | □  | □  | Y  | -  | 0  | □  |
| F                    | K | M |   |   |   |   |   |   |    |    |    |    |    |    |

| DIAPHRAGM SEAL MODEL CODE |   |   |   |   |   |   |
|---------------------------|---|---|---|---|---|---|
| 1                         | 2 | 3 | 4 | 5 | 6 | 7 |
| S                         | A | □ | V | □ | □ | □ |

**Gauge and absolute pressure: FKB, FKM [<L shape>, Capillary mounting, DIN 11851 coupling nut]**



| 4 <sup>TH</sup> DIGIT OF TRANSMITTER | ELECTRICAL CONDUIT |      |
|--------------------------------------|--------------------|------|
|                                      | D                  | E    |
| T                                    | 1/2-14NPT          | 16   |
| V                                    | Pg13.5             | 10.5 |
| W                                    | M20x1.5            | 16   |

TABLE 1

| 3 <sup>RD</sup> DIGIT OF DIAPHRAGM SEAL | øEd | A  | DIN 11851 COUPLING NUT |    |
|---|-----|----|------------------------|----|
|   |     |    | PN                     | DN |
| U                                       | 92  | 28 | 20                     | 50 |

| 6 <sup>TH</sup> DIGIT | Q   | W   |
|-----------------------|-----|-----|
| 1, 2, 3               | 171 | 198 |

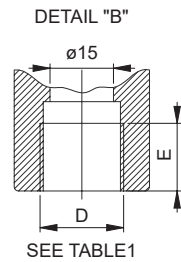
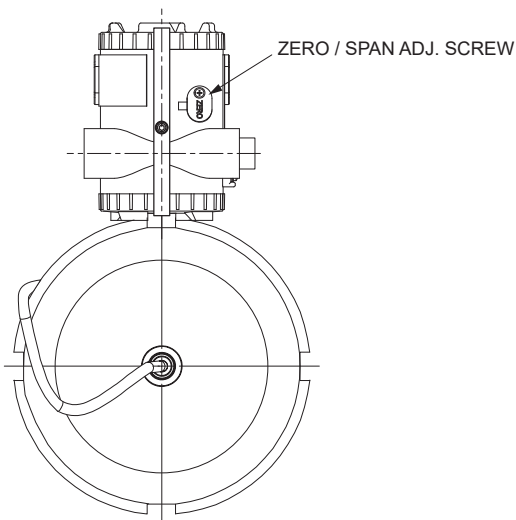
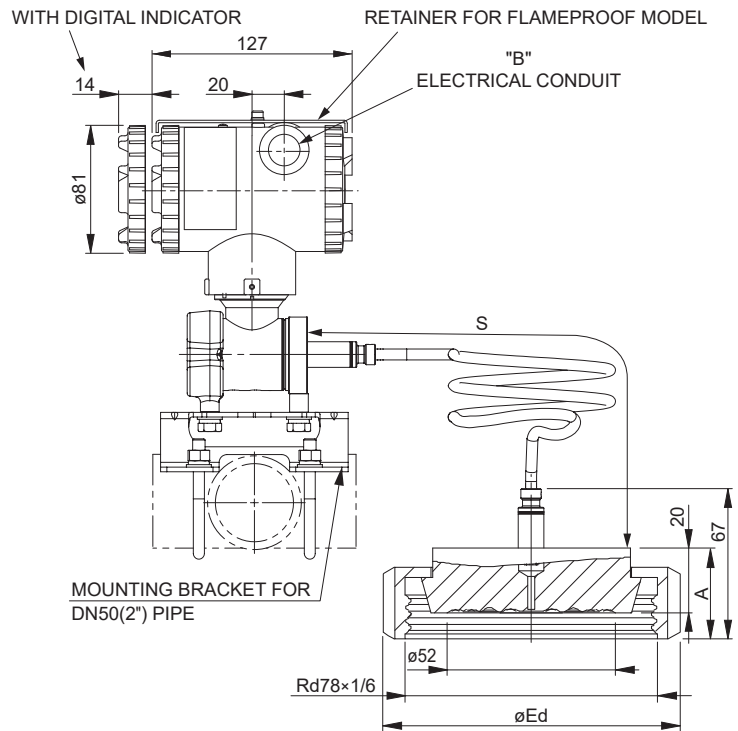
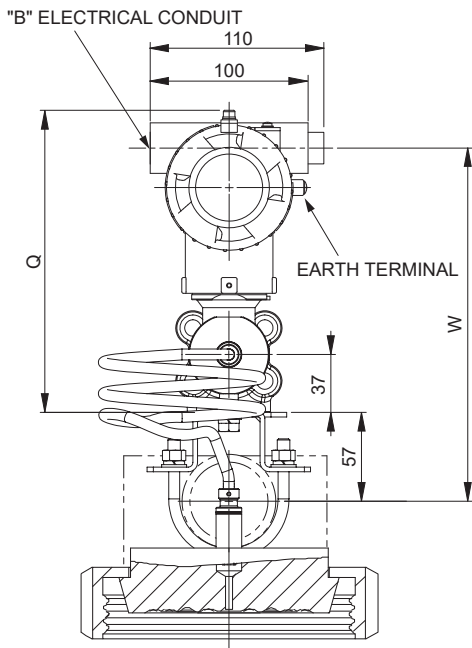
| 6 <sup>TH</sup> DIGIT OF DIAPHRAGM SEAL | CAPILLARY LENGTH S (m) |
|---|------------------------|
| A, G                                    | 1.5                    |
| B, H                                    | 3                      |
| C, K                                    | 6                      |
| D, L                                    | UPON REQUEST           |

WEIGHT :  
 TRANSMITTER ONLY : - 3.5 kg (WITHOUT OPTION)  
 ADD :  
 - FLANGES WEIGHT  
 - 0.2 kg FOR INDICATOR  
 - 2.0 kg FOR STAINLESS STEEL HOUSING OPTION

**MODEL CODE**

| MAIN PART MODEL CODE  | DIAPHRAGM SEAL CODE            |
|---|--------------------------------|
| 1 2 3 4 5 6 7 8 9 10 11 12 13 14 15<br>F K B □ □ □ V 6 - □ □ □ □ Y - 0 □<br>F K M | 1 2 3 4 5 6 7<br>S A □ V Y □ □ |

Gauge and absolute pressure: FKB, FKM [<T shape>, Capillary mounting, DIN 11851 coupling nut]



| 4 <sup>TH</sup> DIGIT OF TRANSMITTER | ELECTRICAL CONDUIT |      |
|--------------------------------------|--------------------|------|
|                                      | D                  | E    |
| 6                                    | 1/2-14NPT          | 16   |
| 7                                    | Pg13.5             | 10.5 |
| 8                                    | M20x1.5            | 16   |

TABLE 1

| 3 <sup>RD</sup> DIGIT OF DIAPHRAGM SEAL | øEd | A  | DIN 11851 COUPLING NUT |    |
|---|-----|----|------------------------|----|
|   |     |    | PN                     | DN |
| U                                       | 92  | 28 | 20                     | 50 |

| 6 <sup>TH</sup> DIGIT | Q   | W   |
|-----------------------|-----|-----|
| 1, 2, 3               | 190 | 225 |

| 6 <sup>TH</sup> DIGIT OF DIAPHRAGM SEAL | CAPILLARY LENGTH S (m) |
|---|------------------------|
| A, G                                    | 1.5                    |
| B, H                                    | 3                      |
| C, K                                    | 6                      |
| D, L                                    | UPON REQUEST           |

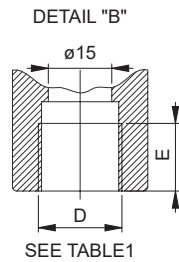
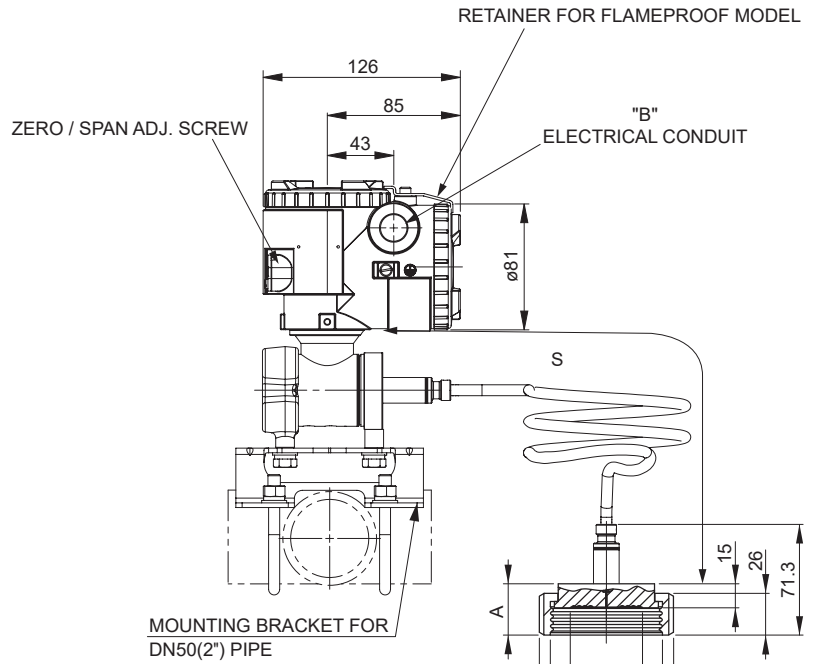
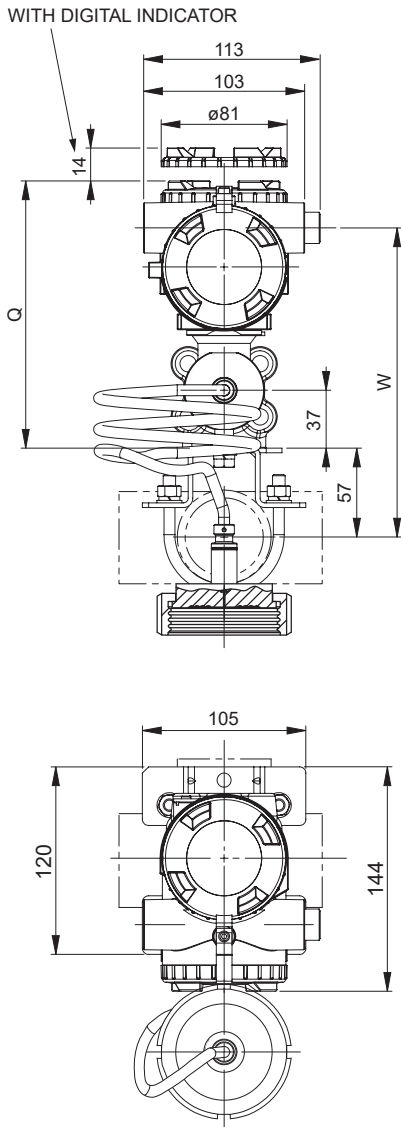
WEIGHT :  
 TRANSMITTER ONLY : - 3.5 kg (WITHOUT OPTION)  
 ADD :  
 - FLANGES WEIGHT  
 - 0.2 kg FOR INDICATOR  
 - 2.0 kg FOR STAINLESS STEEL HOUSING OPTION

MODEL CODE

| MAIN PART MODEL CODE |   |   |   |   |   |   |   |   |    |    |    |    |    |    |
|----------------------|---|---|---|---|---|---|---|---|----|----|----|----|----|----|
| 1                    | 2 | 3 | 4 | 5 | 6 | 7 | 8 | 9 | 10 | 11 | 12 | 13 | 14 | 15 |
| F                    | K | B | □ | □ | V | 6 | - | □ | □  | □  | Y  | -  | 0  | □  |
| F                    | K | M |   |   |   |   |   |   |    |    |    |    |    |    |

| DIAPHRAGM SEAL MODEL CODE |   |   |   |   |   |   |
|---------------------------|---|---|---|---|---|---|
| 1                         | 2 | 3 | 4 | 5 | 6 | 7 |
| S                         | A | □ | V | Y | □ | □ |

**Gauge and absolute pressure FKB, FKM [L shape], capillary assembly, SMS coupling nut]**



| 4 <sup>TH</sup> DIGIT OF TRANSMITTER | ELECTRICAL CONDUIT |      |
|--------------------------------------|--------------------|------|
|                                      | D                  | E    |
| T                                    | 1/2-14NPT          | 16   |
| V                                    | Pg13.5             | 10.5 |
| W                                    | M20×1.5            | 16   |

TABLE 1

| 3 <sup>RD</sup> DIGIT OF DIAPHRAGM SEAL | øD | A  | DIN 11851 COUPLING NUT |    |
|---|----|----|------------------------|----|
|   |    |    | PN                     | DN |
| V                                       | 84 | 32 | 40                     | 50 |

| 6 <sup>TH</sup> DIGIT | Q   | W   |
|-----------------------|-----|-----|
| 1, 2, 3               | 171 | 198 |

| 6 <sup>TH</sup> DIGIT OF DIAPHRAGM SEAL | CAPILLARY LENGTH S (m) |
|---|------------------------|
| A, G                                    | 1.5                    |
| B, H                                    | 3                      |
| C, K                                    | 6                      |
| D, L                                    | UPON REQUEST           |

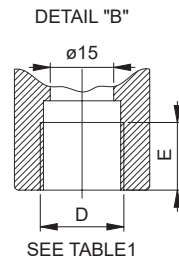
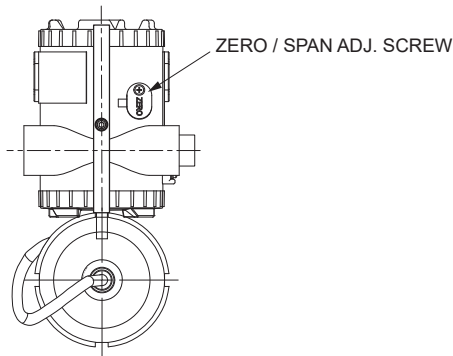
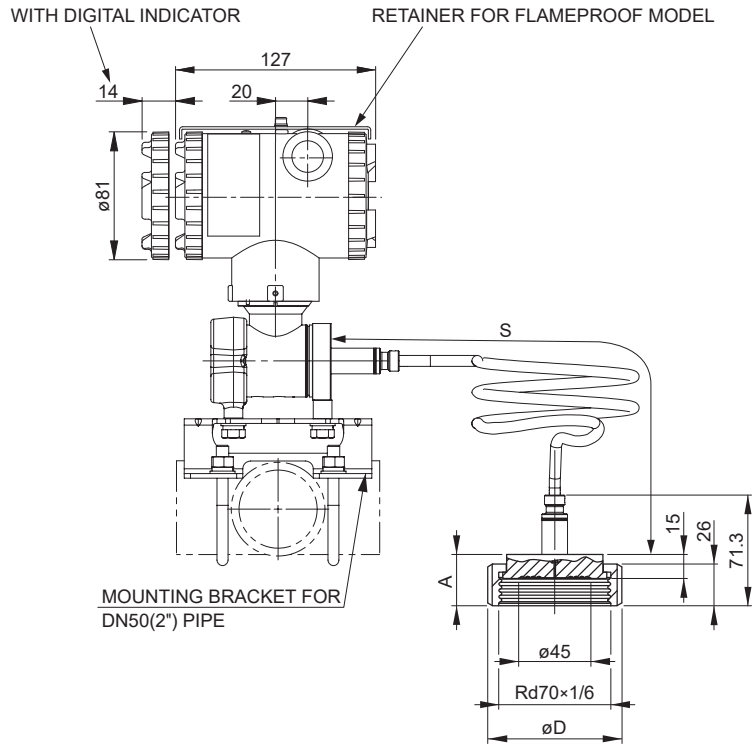
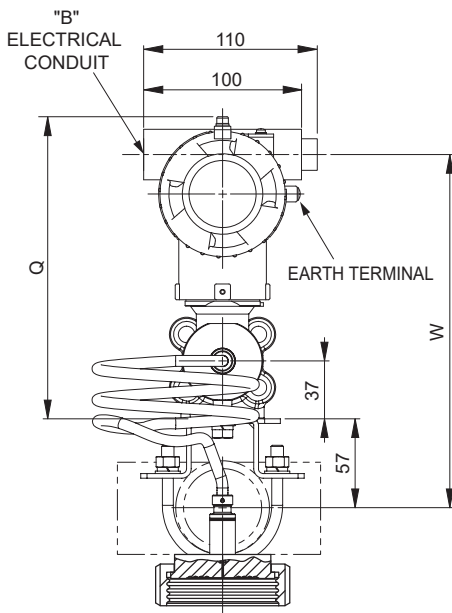
WEIGHT :  
 TRANSMITTER ONLY : - 3.5 kg (WITHOUT OPTION)  
 ADD :  
 - FLANGES WEIGHT  
 - 0.2 kg FOR INDICATOR  
 - 2.0 kg FOR STAINLESS STEEL HOUSING OPTION

**MODEL CODE**

| MAIN PART MODEL CODE |   |   |   |   |   |   |   |   |    |    |    |    |    |       |
|----------------------|---|---|---|---|---|---|---|---|----|----|----|----|----|-------|
| 1                    | 2 | 3 | 4 | 5 | 6 | 7 | 8 | 9 | 10 | 11 | 12 | 13 | 14 | 15    |
| F                    | K | B | □ | □ | □ | V | 6 | - | □  | □  | □  | □  | Y  | - 0 □ |
| F                    | K | M |   |   |   |   |   |   |    |    |    |    |    |       |

| DIAPHRAGM SEAL MODEL CODE |   |   |   |   |   |   |
|---------------------------|---|---|---|---|---|---|
| 1                         | 2 | 3 | 4 | 5 | 6 | 7 |
| S                         | A | □ | V | Y | □ | □ |

Gauge and absolute pressure FKB, FKM [T shape], capillary assembly, SMS coupling nut



| 4 <sup>TH</sup> DIGIT OF TRANSMITTER | ELECTRICAL CONDUIT |      |
|--------------------------------------|--------------------|------|
|                                      | D                  | E    |
| 6                                    | 1/2-14NPT          | 16   |
| 7                                    | Pg13.5             | 10.5 |
| 8                                    | M20x1.5            | 16   |

TABLE 1

| 3 <sup>RD</sup> DIGIT OF DIAPHRAGM SEAL | øD | A  | DIN 11851 COUPLING NUT |    |
|---|----|----|------------------------|----|
|   |    |    | PN                     | DN |
| V                                       | 84 | 32 | 40                     | 50 |

| 6 <sup>TH</sup> DIGIT | Q   | W   |
|-----------------------|-----|-----|
| 1, 2, 3               | 190 | 225 |

| 6 <sup>TH</sup> DIGIT OF DIAPHRAGM SEAL | CAPILLARY LENGTH S (m) |
|---|------------------------|
| A, G                                    | 1.5                    |
| B, H                                    | 3                      |
| C, K                                    | 6                      |
| D, L                                    | UPON REQUEST           |

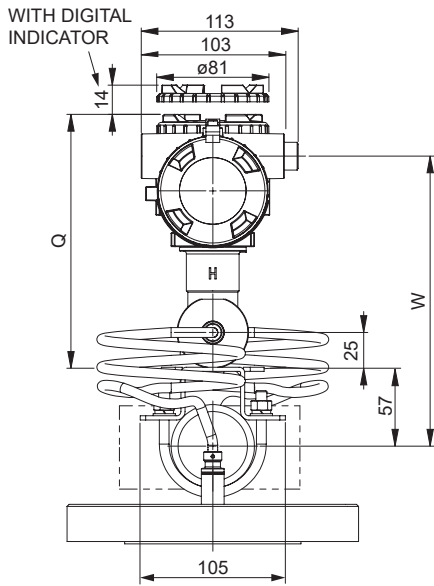
WEIGHT :  
 TRANSMITTER ONLY : - 3.5 kg (WITHOUT OPTION)  
 - FLANGES WEIGHT  
 ADD :  
 - 0.2 kg FOR INDICATOR  
 - 2.0 kg FOR STAINLESS STEEL HOUSING OPTION

MODEL CODE

| MAIN PART MODEL CODE |   |   |   |   |   |   |   |   |    |    |    |    |    |    |
|----------------------|---|---|---|---|---|---|---|---|----|----|----|----|----|----|
| 1                    | 2 | 3 | 4 | 5 | 6 | 7 | 8 | 9 | 10 | 11 | 12 | 13 | 14 | 15 |
| F                    | K | B | □ | □ | V | 6 | - | □ | □  | □  | □  | Y  | -  | 0  |
| F                    | K | M |   |   |   |   |   |   |    |    |    |    |    |    |

| DIAPHRAGM SEAL MODEL CODE |   |   |   |   |   |   |
|---------------------------|---|---|---|---|---|---|
| 1                         | 2 | 3 | 4 | 5 | 6 | 7 |
| S                         | A | □ | V | □ | □ | □ |

Differential pressure: FKD [L shape], capillary assembly, flange with PN ≤ 50 bar



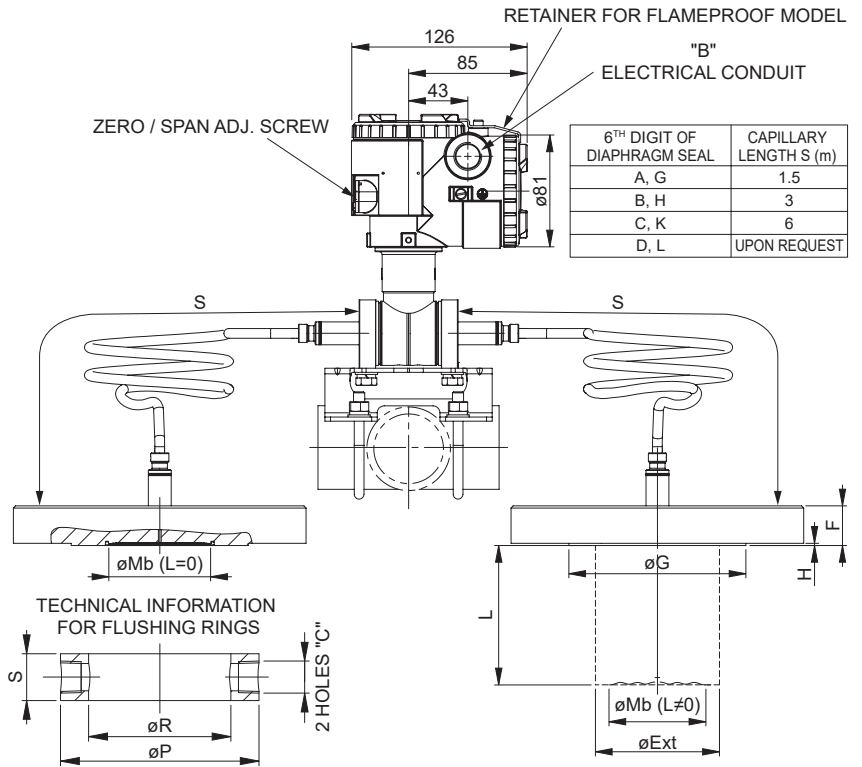
| 4 <sup>TH</sup> DIGIT OF TRANSMITTER | ELECTRICAL CONDUIT |      |
|--------------------------------------|--------------------|------|
|                                      | D                  | E    |
| T                                    | 1/2-14NPT          | 16   |
| V                                    | Pg13.5             | 10.5 |
| W                                    | M20×1.5            | 16   |

TABLE 1

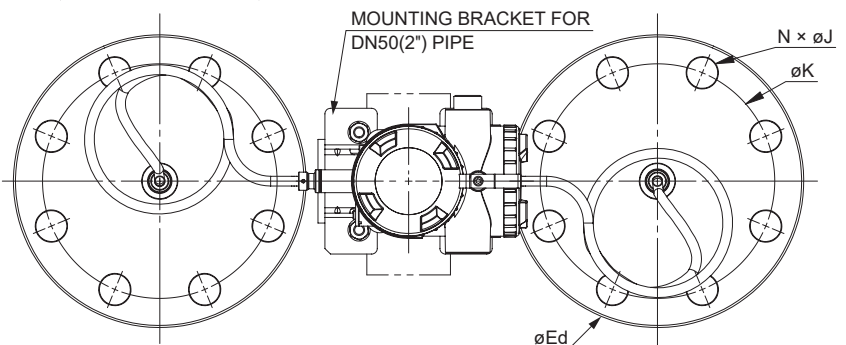
| FLUSHING RINGS DIMENSIONS |           |     |     |    |                 |
|---------------------------|-----------|-----|-----|----|-----------------|
| FLANGE SIZE               | HOLES "C" | øP  | øR  | S  | FLANGE STANDARD |
| DN50                      | 1/4-18NPT | 102 | 70  | 30 | EN 1092-1       |
|                           | 1/2-14NPT |     |     |    |                 |
| NPS 2"                    | 1/4-18NPT | 92  | 65  | 30 | EN 1759-1       |
|                           | 1/2-14NPT |     |     |    |                 |
| DN80                      | 1/4-18NPT | 138 | 91  | 30 | EN 1092-1       |
|                           | 1/2-14NPT |     |     |    |                 |
| NPS 3"                    | 1/4-18NPT | 127 | 91  | 30 | EN 1759-1       |
|                           | 1/2-14NPT |     |     |    |                 |
| DN100                     | 1/4-18NPT | 162 | 116 | 30 | EN 1092-1       |
|                           | 1/2-14NPT |     |     |    |                 |
| NPS 4"                    | 1/4-18NPT | 157 | 116 | 30 | EN 1759-1       |
|                           | 1/2-14NPT |     |     |    |                 |

| 6 <sup>TH</sup> DIGIT | Q   | W   |
|-----------------------|-----|-----|
| 3, 5, 6, 8            | 182 | 209 |

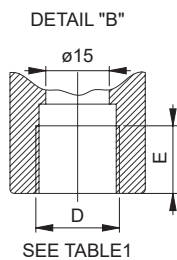
| 5 <sup>TH</sup> DIGIT OF DIAPHRAGM SEAL | EXTENSION L |
|---|-------------|
| Y                                       | 0           |
| A, E, J, P                              | 50          |
| B, F, K, R                              | 100         |
| C, G, L, S                              | 150         |
| D, H, M, T                              | 200         |



| 6 <sup>TH</sup> DIGIT OF DIAPHRAGM SEAL | CAPILLARY LENGTH S (m) |
|---|------------------------|
| A, G                                    | 1.5                    |
| B, H                                    | 3                      |
| C, K                                    | 6                      |
| D, L                                    | UPON REQUEST           |



| 3 <sup>RD</sup> DIGIT OF DIAPHRAGM SEAL | FLANGE SIZE AND RATING | øEd | F MIN | øG  | H   | N x øJ | øK    | WEIGHT (kg) | FLANGE STANDARD |
|---|------------------------|-----|-------|-----|-----|--------|-------|-------------|-----------------|
| H                                       | CLASS 150 NPS 2"       | 152 | 21    | 92  | 1.6 | 4×19   | 120.6 | 2.7         | EN 1759-1       |
| 4                                       | CLASS 150 NPS 3"       | 190 | 24    | 127 | 1.6 | 4×19   | 152.4 | 5.3         | EN 1759-1       |
| 5                                       | CLASS 150 NPS 4"       | 229 | 24    | 157 | 1.6 | 8×19   | 190.5 | 7.7         | EN 1759-1       |
| J                                       | CLASS 300 NPS 2"       | 165 | 22.5  | 92  | 1.6 | 8×19   | 127   | 3.7         | EN 1759-1       |
| 6                                       | CLASS 300 NPS 3"       | 210 | 28.5  | 127 | 1.6 | 8×22.2 | 168.3 | 7.8         | EN 1759-1       |
| 7                                       | CLASS 300 NPS 4"       | 254 | 32    | 157 | 1.6 | 8×22.2 | 200   | 12.7        | EN 1759-1       |
| G                                       | PN40 DN50              | 165 | 20    | 102 | 2   | 4×18   | 125   | 3.3         | EN 1092-1       |
| 8                                       | PN40 DN80              | 200 | 24    | 138 | 2   | 8×18   | 160   | 5.8         | EN 1092-1       |
| 9                                       | PN16 DN100             | 220 | 22    | 158 | 2   | 8×18   | 180   | 5.9         | EN 1092-1       |



SEE TABLE 1

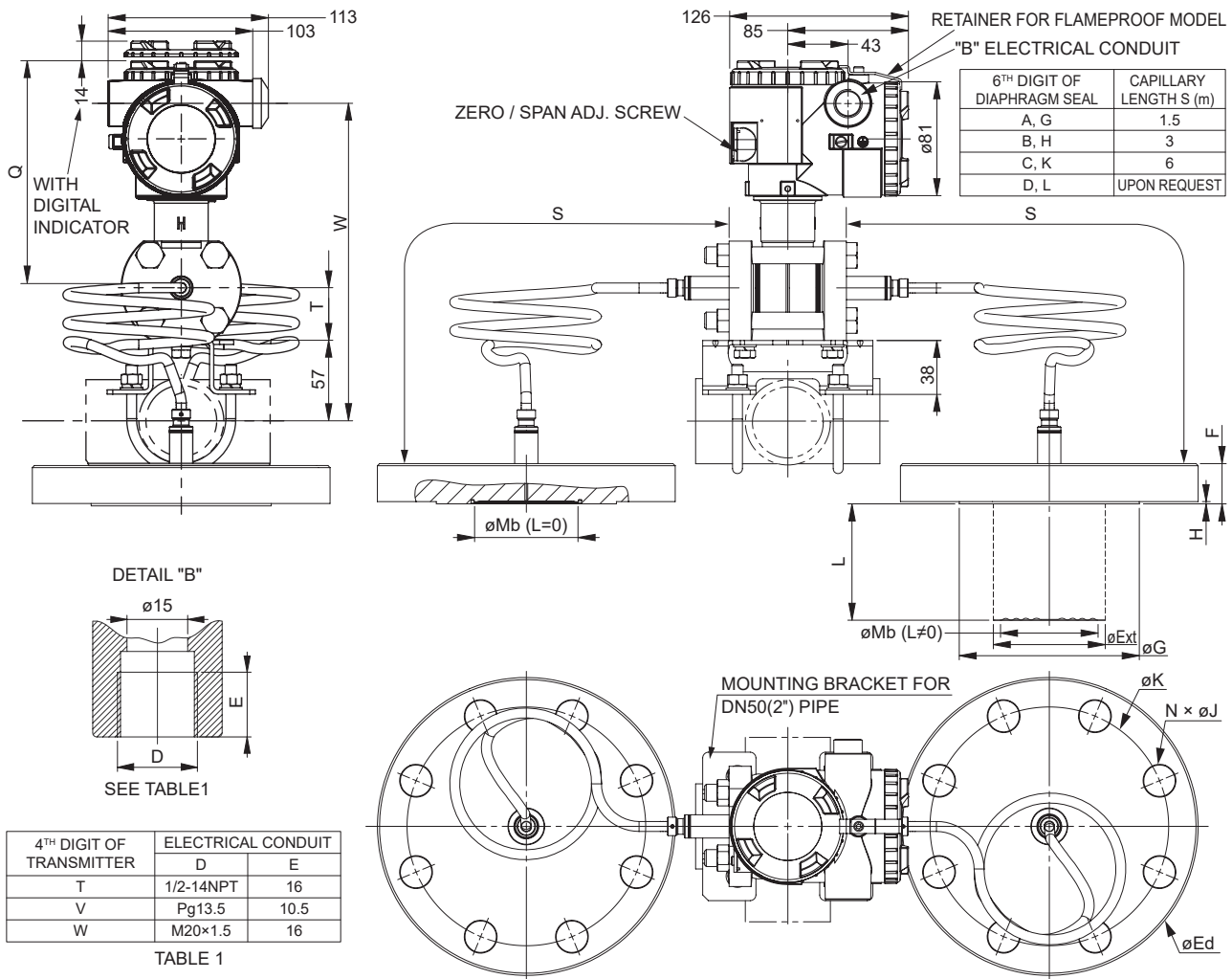
| 3 <sup>RD</sup> DIGIT OF DIAPHRAGM SEAL  | FLANGE SIZE AND RATING | øMb       | øExt(øMb)  | øMb                 | øExt(øMb)                          |
|--|------------------------|-----------|------------|---------------------|------------------------------------|
| H  | CLASS 150 NPS 2"       | 59        | 48(48)     | 59                  | 48.3(47)                           |
| 4  | CLASS 150 NPS 3"       | 73        | 73(73)     | 89                  | 76(72)                             |
| 5  | CLASS 150 NPS 4"       | 96        | 96(96)     | 89                  | 94(89)                             |
| J  | CLASS 300 NPS 2"       | 59        | 48(48)     | 59                  | 48.3(47)                           |
| 6  | CLASS 300 NPS 3"       | 73        | 73(73)     | 89                  | 76(72)                             |
| 7  | CLASS 300 NPS 4"       | 96        | 96(96)     | 89                  | 94(89)                             |
| G  | PN40 DN50              | 59        | 48(48)     | 59                  | 48.3(47)                           |
| 8  | PN40 DN80              | 73        | 73(73)     | 89                  | 76(72)                             |
| 9  | PN16 DN100             | 96        | 96(96)     | 89                  | 94(89)                             |
| CONDITIONS OF DIAPHRAGM SEAL MODEL CODES | 4 <sup>TH</sup> DIGIT  | V         | V          | H, B, T, P, R, C, F | H, B, T                            |
|  | (MATERIAL)             | (SS 316L) |            | (EXOTIC MATERIALS)  |                                    |
|  | 5 <sup>TH</sup> DIGIT  | Y         | A, B, C, D | Y                   | E, F, G, H, J, K, L, M, P, R, S, T |
|  | (EXTENSION LENGTH)     | (L=0)     | (L≠0)      | (L=0)               | (L≠0)                              |

WEIGHT :  
 TRANSMITTER ONLY : - 3.5 kg (WITHOUT OPTION)  
 ADD :  
 - FLANGES WEIGHT  
 - 1.0 kg PER 50 MM EXTENSION  
 - 0.2 kg FOR INDICATOR  
 - 2.0 kg FOR STAINLESS STEEL HOUSING OPTION

MODEL CODE

| MAIN PART MODEL CODE |   |   |   |   |   |   |   |   |    |    |    |    |    |    | DIAPHRAGM SEAL MODEL CODE |   |   |    |   |   |   |   |   |   |   |   |   |   |
|----------------------|---|---|---|---|---|---|---|---|----|----|----|----|----|----|---------------------------|---|---|----|---|---|---|---|---|---|---|---|---|---|
| 1                    | 2 | 3 | 4 | 5 | 6 | 7 | 8 | 9 | 10 | 11 | 12 | 13 | 14 | 15 | HP                        |   |   | LP |   |   |   |   |   |   |   |   |   |   |
| F                    | K | D | □ | □ | □ | □ | V | 6 | -  | □  | □  | □  | □  | Y  | 0                         | S | A | □  | □ | □ | □ | □ | S | A | □ | □ | □ | □ |

Differential pressure: FKD [<L shape>, capillary assembly, flange with PN > 50 bar]



| 3 <sup>RD</sup> DIGIT OF DIAPHRAGM SEAL  | FLANGE SIZE AND RATING                   | øMb | øExt(ΦMb)  | øMb               | øExt(ΦMb)         |                     |                                    |
|--|--|-----|------------|-------------------|-------------------|---------------------|------------------------------------|
| *  | CLASS 600 (PN100) NPS 2"                 | 59  | 48(48)     | Please contact us | Please contact us |                     |                                    |
| *  | CLASS 900 (PN150) NPS 2"                 | 59  | 48(48)     |                   |                   |                     |                                    |
| *  | CLASS 1500 (PN250) NPS 2"                | 59  | 48(48)     |                   |                   |                     |                                    |
| *  | CLASS 2500 (PN420) NPS 2"                | 59  | 48(48)     |                   |                   |                     |                                    |
| *  | DN50 PN100                               | 59  | 48(48)     |                   |                   |                     |                                    |
| *  | CLASS 600 (PN100) NPS 3"                 | 73  | 73(73)     |                   |                   |                     |                                    |
| *  | CLASS 900 (PN150) NPS 3"                 | 73  | 73(73)     |                   |                   |                     |                                    |
| *  | CLASS 1500 (PN250) NPS 3"                | 73  | 73(73)     |                   |                   |                     |                                    |
| *  | CLASS 2500 (PN420) NPS 3"                | 73  | 73(73)     |                   |                   |                     |                                    |
| *  | DN80 PN100                               | 73  | 73(73)     |                   |                   |                     |                                    |
| *  | CLASS 600 (PN100) NPS 4"                 | 96  | 96(96)     |                   |                   |                     |                                    |
| *  | CLASS 900 (PN150) NPS 4"                 | 96  | 96(96)     |                   |                   |                     |                                    |
| *  | CLASS 1500 (PN250) NPS 4"                | 96  | 96(96)     |                   |                   |                     |                                    |
| *  | CLASS 2500 (PN420) NPS 4"                | 96  | 96(96)     |                   |                   |                     |                                    |
| CONDITIONS OF DIAPHRAGM SEAL MODEL CODES | 4 <sup>TH</sup> DIGIT (MATERIAL)         | V   | V          |                   |                   | H, B, T, P, R, C, F | H, B, T                            |
|  | 5 <sup>TH</sup> DIGIT (EXTENSION LENGTH) | Y   | A, B, C, D |                   |                   | Y                   | E, F, G, H, J, K, L, M, P, R, S, T |

| DIGIT               | Q       | W     | T   |
|---------------------|---------|-------|-----|
| 5 <sup>TH</sup>     |         |       |     |
| 2, 4, 6, 8, 9, L, M | 3, 5, 6 | 194   | 221 |
| N, P                | 3, 5, 6 | 197   | 224 |
|                     | 8       | 197   | 224 |
|                     | 9       | 172.5 | 199 |

| 3 <sup>RD</sup> DIGIT OF DIAPHRAGM SEAL | FLANGE SIZE AND RATING    | øEd | F MIN | øG    | H   | N×øJ   | øK    | WEIGHT (kg) (*) | FLANGE STANDARD |
|---|---------------------------|-----|-------|-------|-----|--------|-------|-----------------|-----------------|
| *                                       | CLASS 600 (PN100) NPS 2"  | 165 | 31.8  | 92    | 6.4 | 8×19   | 127   | 5.7             | EN 1759-1       |
| *                                       | CLASS 900 (PN150) NPS 2"  |     |       |       |     |        |       |                 | EN 1759-1       |
| *                                       | CLASS 1500 (PN250) NPS 2" | 216 | 44.5  | 92    | 6.4 | 8×25.4 | 165.1 | 13.2            | EN 1759-1       |
| *                                       | CLASS 2500 (PN420) NPS 2" | 235 | 57.2  | 92    | 6.4 | 8×28.6 | 171.4 | 19.8            | EN 1759-1       |
| *                                       | DN50 PN100                | 195 | 29    | 102   | 3   | 4×26   | 145   | 5.8             | EN 1092-1       |
| *                                       | CLASS 600 (PN100) NPS 3"  | 210 | 38.5  | 127   | 6.4 | 8×22.2 | 168.3 | 11              | EN 1759-1       |
| *                                       | CLASS 900 (PN150) NPS 3"  | 241 | 44.5  | 127   | 6.4 | 8×25.4 | 190.5 | 16.7            | EN 1759-1       |
| *                                       | CLASS 1500 (PN250) NPS 3" | 267 | 54    | 127   | 6.4 | 8×32   | 203.2 | 24.5            | EN 1759-1       |
| *                                       | CLASS 2500 (PN420) NPS 3" | 305 | 73.5  | 127   | 6.4 | 8×35   | 228.6 | 42.7            | EN 1759-1       |
| *                                       | DN80 PN100                | 230 | 32    | 138   | 3   | 8×26   | 180   | 9               | EN 1092-1       |
| *                                       | CLASS 600 (PN100) NPS 4"  | 273 | 45    | 157.2 | 6.4 | 8×25.4 | 216   | 21.5            | EN 1759-1       |
| *                                       | CLASS 900 (PN150) NPS 4"  | 292 | 50.8  | 157.2 | 6.4 | 4×31.8 | 235   | 27.7            | EN 1759-1       |
| *                                       | CLASS 1500 (PN250) NPS 4" | 311 | 60.4  | 157.2 | 6.4 | 8×35   | 241.3 | 37              | EN 1759-1       |
| *                                       | CLASS 2500 (PN420) NPS 4" | 356 | 82.6  | 157.2 | 6.4 | 8×41.3 | 273   | 65.7            | EN 1759-1       |

(\*) For the extension length = 0 and material in SS 316L.

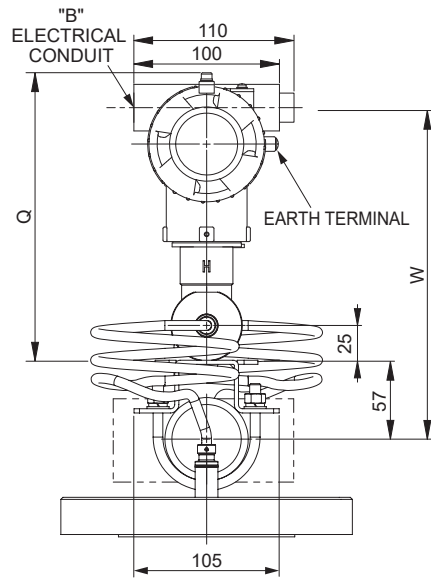
WEIGHT :  
 TRANSMITTER ONLY : - 3.5 kg (WITHOUT OPTION)  
 ADD :  
 - FLANGES WEIGHT  
 - 1.0 kg PER 50 MM EXTENSION  
 - 0.2 kg FOR INDICATOR  
 - 2.0 kg FOR STAINLESS STEEL HOUSING OPTION

MODEL CODE

| MAIN PART MODEL CODE |   |   |   |   |   |   |   |   |    |    |    |    |    | DIAPHRAGM SEAL MODEL CODE |   |   |   |   |   |   |    |   |   |   |   |   |   |   |   |   |   |   |   |
|----------------------|---|---|---|---|---|---|---|---|----|----|----|----|----|---------------------------|---|---|---|---|---|---|----|---|---|---|---|---|---|---|---|---|---|---|---|
|                      |   |   |   |   |   |   |   |   |    |    |    |    |    | HP                        |   |   |   |   |   |   | LP |   |   |   |   |   |   |   |   |   |   |   |   |
| 1                    | 2 | 3 | 4 | 5 | 6 | 7 | 8 | 9 | 10 | 11 | 12 | 13 | 14 | 15                        | 1 | 2 | 3 | 4 | 5 | 6 | 7  | 1 | 2 | 3 | 4 | 5 | 6 | 7 |   |   |   |   |   |
| F                    | K | D | □ | □ | □ | V | 6 | - | □  | □  | □  | □  | □  | □                         | S | A | □ | □ | □ | □ | □  | □ | □ | □ | □ | □ | S | A | □ | □ | □ | □ | □ |



Differential pressure: FKD [ <T shape>, capillary assembly, flange with PN ≤ 50 bar]



| 4 <sup>TH</sup> DIGIT OF TRANSMITTER | ELECTRICAL CONDUIT |      |
|--------------------------------------|--------------------|------|
|                                      | D                  | E    |
| 6                                    | 1/2-14NPT          | 16   |
| 7                                    | Pg13.5             | 10.5 |
| 8                                    | M20×1.5            | 16   |

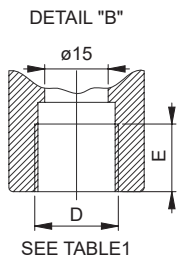
TABLE 1

| FLUSHING RINGS DIMENSIONS |           |     |     |    |                 |
|---------------------------|-----------|-----|-----|----|-----------------|
| FLANGE SIZE               | HOLES "C" | øP  | øR  | S  | FLANGE STANDARD |
| DN50                      | 1/4-18NPT | 102 | 70  | 30 | EN 1092-1       |
|                           | 1/2-14NPT |     |     |    |                 |
| NPS 2"                    | 1/4-18NPT | 92  | 65  | 30 | EN 1759-1       |
|                           | 1/2-14NPT |     |     |    |                 |
| DN80                      | 1/4-18NPT | 138 | 91  | 30 | EN 1092-1       |
|                           | 1/2-14NPT |     |     |    |                 |
| NPS 3"                    | 1/4-18NPT | 127 | 91  | 30 | EN 1759-1       |
|                           | 1/2-14NPT |     |     |    |                 |
| DN100                     | 1/4-18NPT | 162 | 116 | 30 | EN 1092-1       |
|                           | 1/2-14NPT |     |     |    |                 |
| NPS 4"                    | 1/4-18NPT | 157 | 116 | 30 | EN 1759-1       |
|                           | 1/2-14NPT |     |     |    |                 |

| 6 <sup>TH</sup> DIGIT | Q   | W   |
|-----------------------|-----|-----|
| 3, 5, 6, 8            | 201 | 237 |

| 5 <sup>TH</sup> DIGIT OF DIAPHRAGM SEAL | EXTENSION L |
|---|-------------|
| Y                                       | 0           |
| A, E, J, P                              | 50          |
| B, F, K, R                              | 100         |
| C, G, L, S                              | 150         |
| D, H, M, T                              | 200         |

| 3 <sup>RD</sup> DIGIT OF DIAPHRAGM SEAL | FLANGE SIZE AND RATING | øEd | F MIN | øG  | H   | N×øJ   | øK    | WEIGHT (kg) | FLANGE STANDARD |
|---|------------------------|-----|-------|-----|-----|--------|-------|-------------|-----------------|
| H                                       | CLASS 150 NPS 2"       | 152 | 21    | 92  | 1.6 | 4×19   | 120.6 | 2.7         | EN 1759-1       |
| 4                                       | CLASS 150 NPS 3"       | 190 | 24    | 127 | 1.6 | 4×19   | 152.4 | 5.3         | EN 1759-1       |
| 5                                       | CLASS 150 NPS 4"       | 229 | 24    | 157 | 1.6 | 8×19   | 190.5 | 7.7         | EN 1759-1       |
| J                                       | CLASS 300 NPS 2"       | 165 | 22.5  | 92  | 1.6 | 8×19   | 127   | 3.7         | EN 1759-1       |
| 6                                       | CLASS 300 NPS 3"       | 210 | 28.5  | 127 | 1.6 | 8×22.2 | 168.3 | 7.8         | EN 1759-1       |
| 7                                       | CLASS 300 NPS 4"       | 254 | 32    | 157 | 1.6 | 8×22.2 | 200   | 12.7        | EN 1759-1       |
| G                                       | PN40 DN50              | 165 | 20    | 102 | 2   | 4×18   | 125   | 3.3         | EN 1092-1       |
| 8                                       | PN40 DN80              | 200 | 24    | 138 | 2   | 8×18   | 160   | 5.8         | EN 1092-1       |
| 9                                       | PN16 DN100             | 220 | 22    | 158 | 2   | 8×18   | 180   | 5.9         | EN 1092-1       |



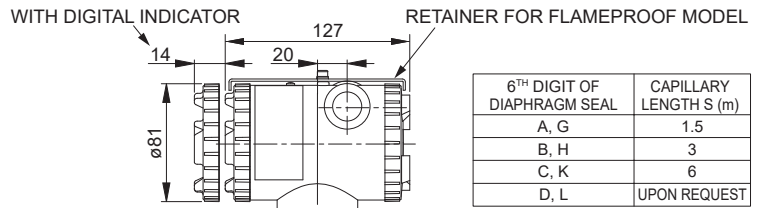
| 3 <sup>RD</sup> DIGIT OF DIAPHRAGM SEAL  | FLANGE SIZE AND RATING                   | øMb       | øExt(ΦMb)        | øMb                 | øExt(ΦMb)                                |
|--|--|-----------|------------------|---------------------|--|
| H  | CLASS 150 NPS 2"                         | 59        | 48(48)           | 59                  | 48.3(47)                                 |
| 4  | CLASS 150 NPS 3"                         | 73        | 73(73)           | 89                  | 76(72)                                   |
| 5  | CLASS 150 NPS 4"                         | 96        | 96(96)           | 89                  | 94(89)                                   |
| J  | CLASS 300 NPS 2"                         | 59        | 48(48)           | 59                  | 48.3(47)                                 |
| 6  | CLASS 300 NPS 3"                         | 73        | 73(73)           | 89                  | 76(72)                                   |
| 7  | CLASS 300 NPS 4"                         | 96        | 96(96)           | 89                  | 94(89)                                   |
| G  | PN40 DN50                                | 59        | 48(48)           | 59                  | 48.3(47)                                 |
| 8  | PN40 DN80                                | 73        | 73(73)           | 89                  | 76(72)                                   |
| 9  | PN16 DN100                               | 96        | 96(96)           | 89                  | 94(89)                                   |
| CONDITIONS OF DIAPHRAGM SEAL MODEL CODES | 4 <sup>TH</sup> DIGIT                    | V         | V                | H, B, T, P, R, C, F | H, B, T                                  |
|  | (MATERIAL)                               | (SS 316L) |                  | (EXOTIC MATERIALS)  |  |
|  | 5 <sup>TH</sup> DIGIT (EXTENSION LENGTH) | Y (L=0)   | A, B, C, D (L≠0) | Y (L=0)             | E, F, G, H, J, K, L, M, P, R, S, T (L≠0) |

WEIGHT :  
 TRANSMITTER ONLY : - 3.5 kg (WITHOUT OPTION)  
 - FLANGES WEIGHT  
 ADD :  
 - 1.0 kg PER 50 MM EXTENSION  
 - 0.2 kg FOR INDICATOR  
 - 2.0 kg FOR STAINLESS STEEL HOUSING OPTION

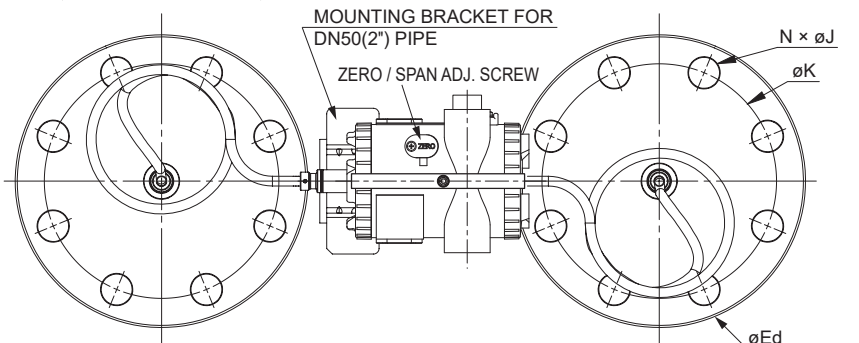
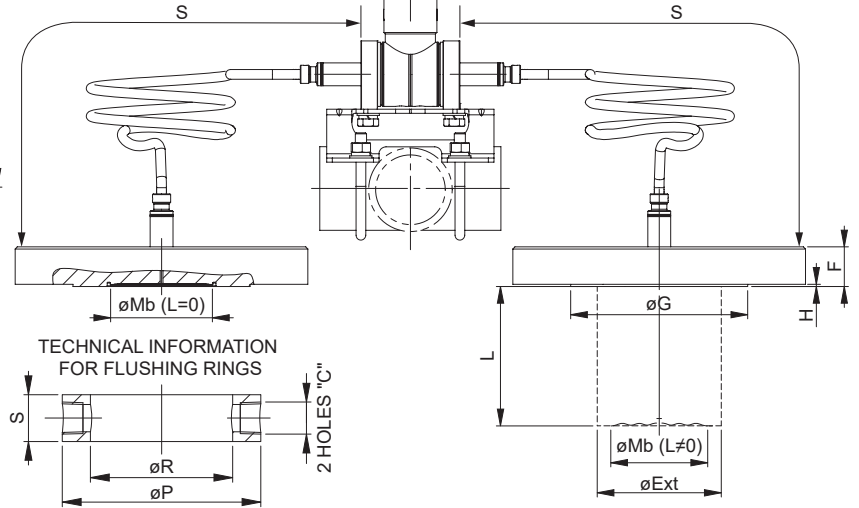
MODEL CODE

| MAIN PART MODEL CODE |   |   |   |   |   |   |   |   |    |    |    |    |    |       |
|----------------------|---|---|---|---|---|---|---|---|----|----|----|----|----|-------|
| 1                    | 2 | 3 | 4 | 5 | 6 | 7 | 8 | 9 | 10 | 11 | 12 | 13 | 14 | 15    |
| F                    | K | D | □ | □ | □ | □ | V | 6 | -  | □  | □  | □  | □  | Y - 0 |

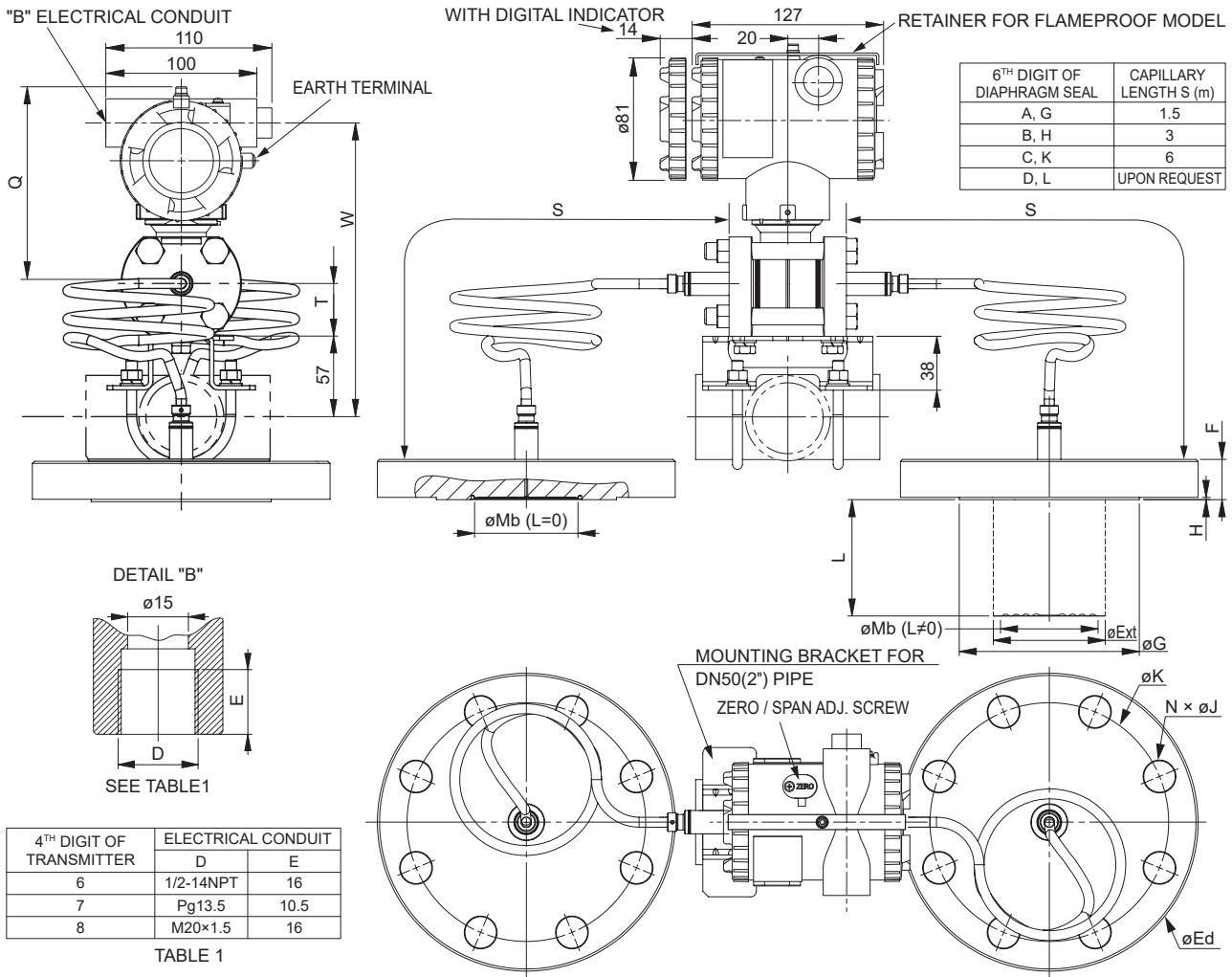
| DIAPHRAGM SEAL MODEL CODE |   |   |   |   |   |   |    |   |   |   |   |   |   |
|---------------------------|---|---|---|---|---|---|----|---|---|---|---|---|---|
| HP                        |   |   |   |   |   |   | LP |   |   |   |   |   |   |
| 1                         | 2 | 3 | 4 | 5 | 6 | 7 | 1  | 2 | 3 | 4 | 5 | 6 | 7 |
| S                         | A | □ | □ | □ | □ | □ | S  | A | □ | □ | □ | □ | □ |



| 6 <sup>TH</sup> DIGIT OF DIAPHRAGM SEAL | CAPILLARY LENGTH S (m) |
|---|------------------------|
| A, G                                    | 1.5                    |
| B, H                                    | 3                      |
| C, K                                    | 6                      |
| D, L                                    | UPON REQUEST           |



Differential pressure: FKD [<T shape>, capillary assembly, flange with PN > 50 bar]



| 3 <sup>RD</sup> DIGIT OF DIAPHRAGM SEAL  | FLANGE SIZE AND RATING                   | øMb   | øExt(ΦMb)  | øMb                 | øExt(ΦMb)                          |
|--|--|-------|------------|---------------------|------------------------------------|
| *  | CLASS 600 (PN100) NPS 2"                 | 59    | 48(48)     | Please contact us   | Please contact us                  |
| *  | CLASS 900 (PN150) NPS 2"                 | 59    | 48(48)     |                     |                                    |
| *  | CLASS 1500 (PN250) NPS 2"                | 59    | 48(48)     |                     |                                    |
| *  | CLASS 2500 (PN420) NPS 2"                | 59    | 48(48)     |                     |                                    |
| *  | DN50 PN100                               | 59    | 48(48)     |                     |                                    |
| *  | CLASS 600 (PN100) NPS 3"                 | 73    | 73(73)     |                     |                                    |
| *  | CLASS 900 (PN150) NPS 3"                 | 73    | 73(73)     |                     |                                    |
| *  | CLASS 1500 (PN250) NPS 3"                | 73    | 73(73)     |                     |                                    |
| *  | CLASS 2500 (PN420) NPS 3"                | 73    | 73(73)     |                     |                                    |
| *  | DN80 PN100                               | 73    | 73(73)     |                     |                                    |
| *  | CLASS 600 (PN100) NPS 4"                 | 96    | 96(96)     | Please contact us   | Please contact us                  |
| *  | CLASS 900 (PN150) NPS 4"                 | 96    | 96(96)     |                     |                                    |
| *  | CLASS 1500 (PN250) NPS 4"                | 96    | 96(96)     |                     |                                    |
| *  | CLASS 2500 (PN420) NPS 4"                | 96    | 96(96)     |                     |                                    |
| CONDITIONS OF DIAPHRAGM SEAL MODEL CODES | 4 <sup>TH</sup> DIGIT (MATERIAL)         | V     | V          | H, B, T, P, R, C, F | H, B, T                            |
|  | 5 <sup>TH</sup> DIGIT (EXTENSION LENGTH) | Y     | A, B, C, D | Y                   | E, F, G, H, J, K, L, M, P, R, S, T |
|  |  | (L=0) | (L≠0)      | (L=0)               | (L≠0)                              |

| DIGIT               | Q       | W     | T        |
|---------------------|---------|-------|----------|
| 5 <sup>TH</sup>     |         |       |          |
| 6 <sup>TH</sup>     |         |       |          |
| 2, 4, 6, 8, 9, L, M | 3, 5, 6 | 194   | 221 37   |
| N, P                | 3, 5, 6 | 197   | 224 37   |
|                     | 8       | 197   | 224 37   |
|                     | 9       | 172.5 | 199 38.5 |

| 6 <sup>TH</sup> DIGIT OF DIAPHRAGM SEAL | EXTENSION L |
|---|-------------|
| Y                                       | 0           |
| A, E, J, P                              | 50          |
| B, F, K, R                              | 100         |
| C, G, L, S                              | 150         |
| D, H, M, T                              | 200         |

| 3 <sup>RD</sup> DIGIT OF DIAPHRAGM SEAL | FLANGE SIZE AND RATING    | øEd | F MIN | øG    | H   | N×øJ   | øK    | WEIGHT (kg) (*) | FLANGE STANDARD |
|---|---------------------------|-----|-------|-------|-----|--------|-------|-----------------|-----------------|
| *                                       | CLASS 600 (PN100) NPS 2"  | 165 | 31.8  | 92    | 6.4 | 8×19   | 127   | 5.7             | EN 1759-1       |
| *                                       | CLASS 900 (PN150) NPS 2"  | 216 | 44.5  | 92    | 6.4 | 8×25.4 | 165.1 | 13.2            | EN 1759-1       |
| *                                       | CLASS 1500 (PN250) NPS 2" | 235 | 57.2  | 92    | 6.4 | 8×28.6 | 171.4 | 19.8            | EN 1759-1       |
| *                                       | CLASS 2500 (PN420) NPS 2" | 195 | 29    | 102   | 3   | 4×26   | 145   | 5.8             | EN 1092-1       |
| *                                       | DN50 PN100                | 210 | 38.5  | 127   | 6.4 | 8×22.2 | 168.3 | 11              | EN 1759-1       |
| *                                       | CLASS 600 (PN100) NPS 3"  | 241 | 44.5  | 127   | 6.4 | 8×25.4 | 190.5 | 16.7            | EN 1759-1       |
| *                                       | CLASS 900 (PN150) NPS 3"  | 267 | 54    | 127   | 6.4 | 8×32   | 203.2 | 24.5            | EN 1759-1       |
| *                                       | CLASS 1500 (PN250) NPS 3" | 305 | 73.5  | 127   | 6.4 | 8×35   | 228.6 | 42.7            | EN 1759-1       |
| *                                       | CLASS 2500 (PN420) NPS 3" | 230 | 32    | 138   | 3   | 8×26   | 180   | 9               | EN 1092-1       |
| *                                       | DN80 PN100                | 273 | 45    | 157.2 | 6.4 | 8×25.4 | 216   | 21.5            | EN 1759-1       |
| *                                       | CLASS 600 (PN100) NPS 4"  | 292 | 50.8  | 157.2 | 6.4 | 4×31.8 | 235   | 27.7            | EN 1759-1       |
| *                                       | CLASS 900 (PN150) NPS 4"  | 311 | 60.4  | 157.2 | 6.4 | 8×35   | 241.3 | 37              | EN 1759-1       |
| *                                       | CLASS 1500 (PN250) NPS 4" | 356 | 82.6  | 157.2 | 6.4 | 8×41.3 | 273   | 65.7            | EN 1759-1       |
| *                                       | CLASS 2500 (PN420) NPS 4" |     |       |       |     |        |       |                 |                 |

(\*) For the extension length = 0 and material in SS 316L.

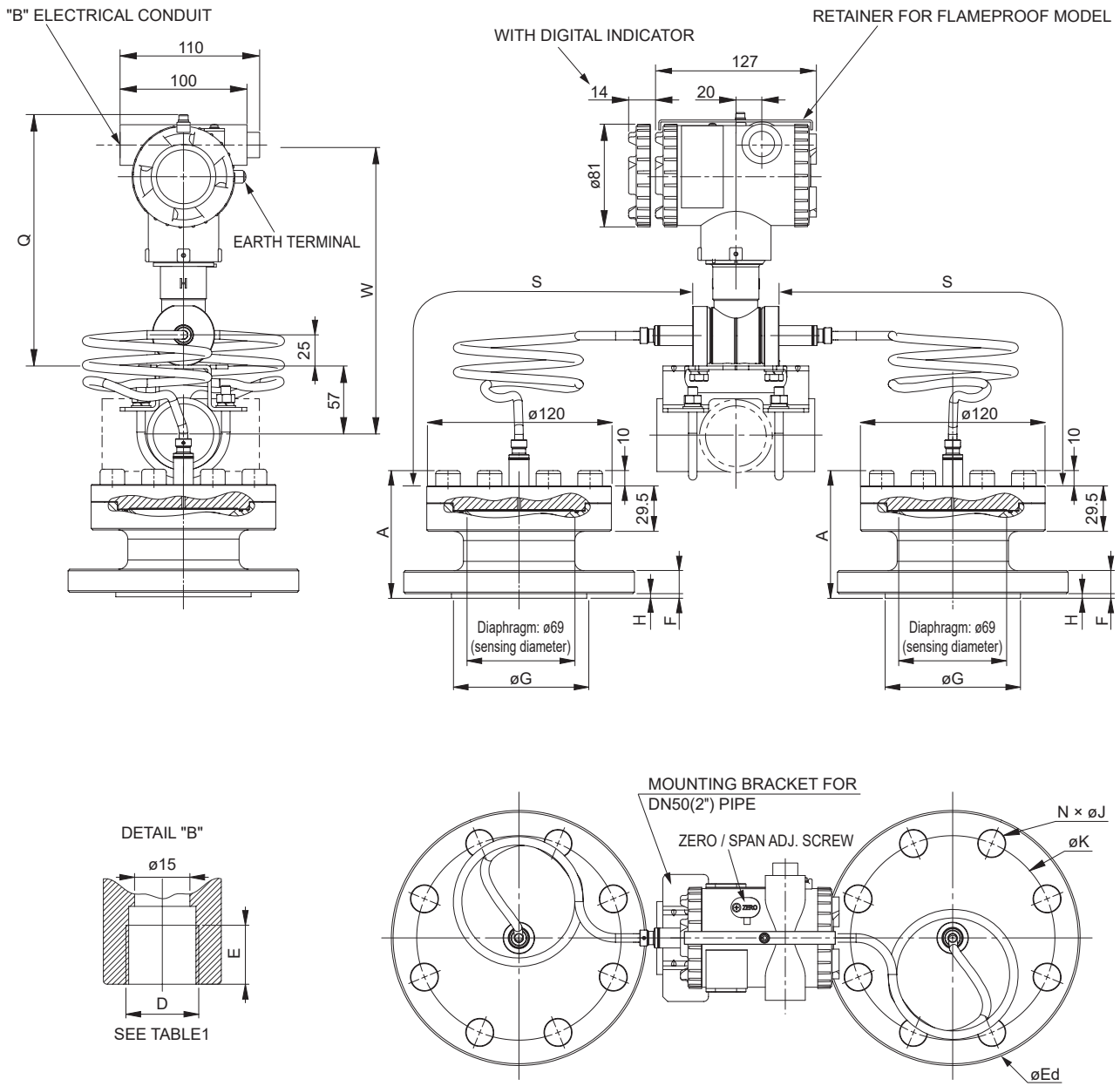
WEIGHT :  
TRANSMITTER ONLY : - 3.5 kg (WITHOUT OPTION)  
ADD :  
- FLANGES WEIGHT  
- 1.0 kg PER 50 MM EXTENSION  
- 0.2 kg FOR INDICATOR  
- 2.0 kg FOR STAINLESS STEEL HOUSING OPTION

MODEL CODE

| MAIN PART MODEL CODE |   |   |   |   |   |   |   |   |    |    |    |    |    | DIAPHRAGM SEAL MODEL CODE |   |   |   |   |   |   |    |   |   |   |   |   |   |   |  |  |  |  |  |   |   |  |  |  |  |  |
|----------------------|---|---|---|---|---|---|---|---|----|----|----|----|----|---------------------------|---|---|---|---|---|---|----|---|---|---|---|---|---|---|--|--|--|--|--|---|---|--|--|--|--|--|
|                      |   |   |   |   |   |   |   |   |    |    |    |    |    | HP                        |   |   |   |   |   |   | LP |   |   |   |   |   |   |   |  |  |  |  |  |   |   |  |  |  |  |  |
| 1                    | 2 | 3 | 4 | 5 | 6 | 7 | 8 | 9 | 10 | 11 | 12 | 13 | 14 | 15                        | 1 | 2 | 3 | 4 | 5 | 6 | 7  | 1 | 2 | 3 | 4 | 5 | 6 | 7 |  |  |  |  |  |   |   |  |  |  |  |  |
| F                    | K | D |   |   |   | V | 6 | - |    |    |    |    |    | Y                         | - | 0 |   |   |   |   |    |   |   |   |   |   | S | A |  |  |  |  |  | S | A |  |  |  |  |  |



Differential pressure: FKD [<T shape>, capillary assembly, flange adapter]



| 4 <sup>TH</sup> DIGIT OF TRANSMITTER | ELECTRICAL CONDUIT |      |
|--------------------------------------|--------------------|------|
|                                      | D                  | E    |
| 6                                    | 1/2-14NPT          | 16   |
| 7                                    | Pg13.5             | 10.5 |
| 8                                    | M20x1.5            | 16   |

TABLE 1

| 6 <sup>TH</sup> DIGIT OF DIAPHRAGM SEAL | CAPILLARY LENGTH S (m) |
|---|------------------------|
| A, G                                    | 1.5                    |
| B, H                                    | 3                      |
| C, K                                    | 6                      |
| D, L                                    | UPON REQUEST           |

| 6 <sup>TH</sup> DIGIT | Q   | W   |
|-----------------------|-----|-----|
| 3, 5, 6, 8            | 182 | 209 |

| 3 <sup>RD</sup> DIGIT OF DIAPHRAGM SEAL | 6Ed | 6K    | N | J    | 6G   | F  | H   | A  | EN1092-1 |    | EN1759-1 |        |
|---|-----|-------|---|------|------|----|-----|----|----------|----|----------|--------|
|   |     |       |   |      |      |    |     |    | PN       | DN | CLASS    | NPS    |
| A                                       | 115 | 85    | 4 | 14   | 68   | 18 | 2   | 82 | 40       | 25 | -        | -      |
| B                                       | 108 | 79.4  | 4 | 15.8 | 50.8 | 16 | 1.6 | 81 | -        | -  | 150      | 1"     |
| C                                       | 124 | 88.9  | 4 | 19   | 50.8 | 18 | 1.6 | 89 | -        | -  | 300      | 1"     |
| D                                       | 150 | 110   | 4 | 18   | 88   | 18 | 3   | 83 | 40       | 40 | -        | -      |
| E                                       | 127 | 98.4  | 4 | 15.8 | 73   | 18 | 1.6 | 84 | -        | -  | 150      | 1 1/2" |
| F                                       | 156 | 114.3 | 4 | 22.2 | 73   | 21 | 1.6 | 85 | -        | -  | 300      | 1 1/2" |

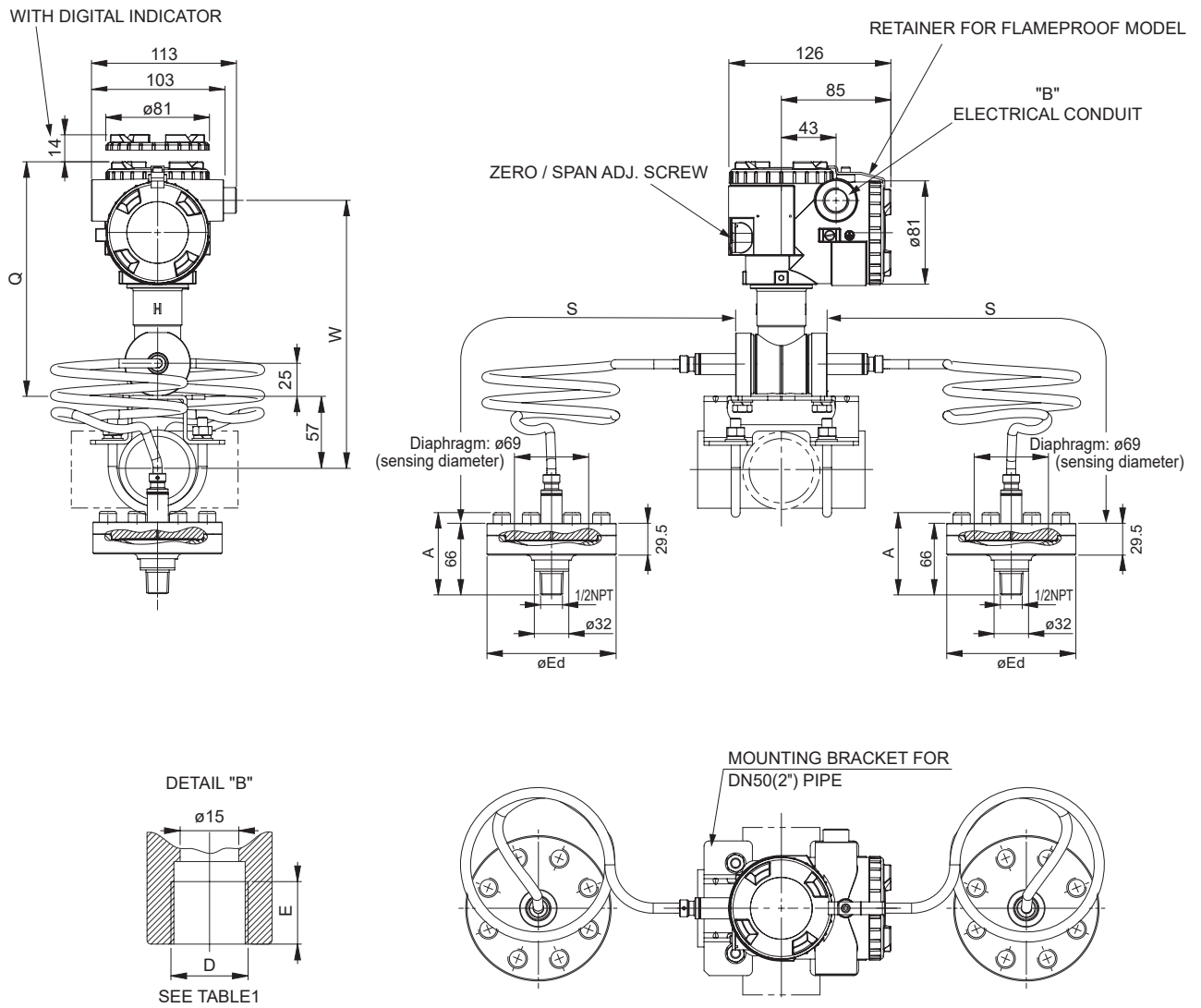
WEIGHT :

- TRANSMITTER ONLY : - 3.5 kg (WITHOUT OPTION)
- ADD :
- FLANGES WEIGHT
- 1.0 kg PER 50 MM EXTENSION
- 0.2 kg FOR INDICATOR
- 2.0 kg FOR STAINLESS STEEL HOUSING OPTION

MODEL CODE

| MAIN PART MODEL CODE |   |   |   |   |   |   |   |   |    |    |    |    |    | DIAPHRAGM SEAL MODEL CODE |    |   |  |  |  |  |  |    |   |   |  |  |  |  |  |  |
|----------------------|---|---|---|---|---|---|---|---|----|----|----|----|----|---------------------------|----|---|--|--|--|--|--|----|---|---|--|--|--|--|--|--|
| 1                    | 2 | 3 | 4 | 5 | 6 | 7 | 8 | 9 | 10 | 11 | 12 | 13 | 14 | 15                        | HP |   |  |  |  |  |  | LP |   |   |  |  |  |  |  |  |
| F                    | K | D |   |   |   | V | 6 | - |    |    |    |    |    | 0                         | S  | A |  |  |  |  |  |    | S | A |  |  |  |  |  |  |

### Differential pressure: FKD [L shape], capillary assembly, screwed adapter



| 4 <sup>TH</sup> DIGIT OF TRANSMITTER | ELECTRICAL CONDUIT |      |
|--------------------------------------|--------------------|------|
|                                      | D                  | E    |
| T                                    | 1/2-14NPT          | 16   |
| V                                    | Pg13.5             | 10.5 |
| W                                    | M20×1.5            | 16   |

TABLE 1

| 3 <sup>RD</sup> DIGIT OF DIAPHRAGM SEAL | ØEd | A  | CONNECTION      |
|---|-----|----|-----------------|
| S                                       | 120 | 76 | SCREWED 1/2 NPT |

| 6 <sup>TH</sup> DIGIT | Q   | W   |
|-----------------------|-----|-----|
| 3, 5, 6, 8            | 182 | 209 |

| 6 <sup>TH</sup> DIGIT OF DIAPHRAGM SEAL | CAPILLARY LENGTH S (m) |
|---|------------------------|
| A, G                                    | 1.5                    |
| B, H                                    | 3                      |
| C, K                                    | 6                      |
| D, L                                    | UPON REQUEST           |

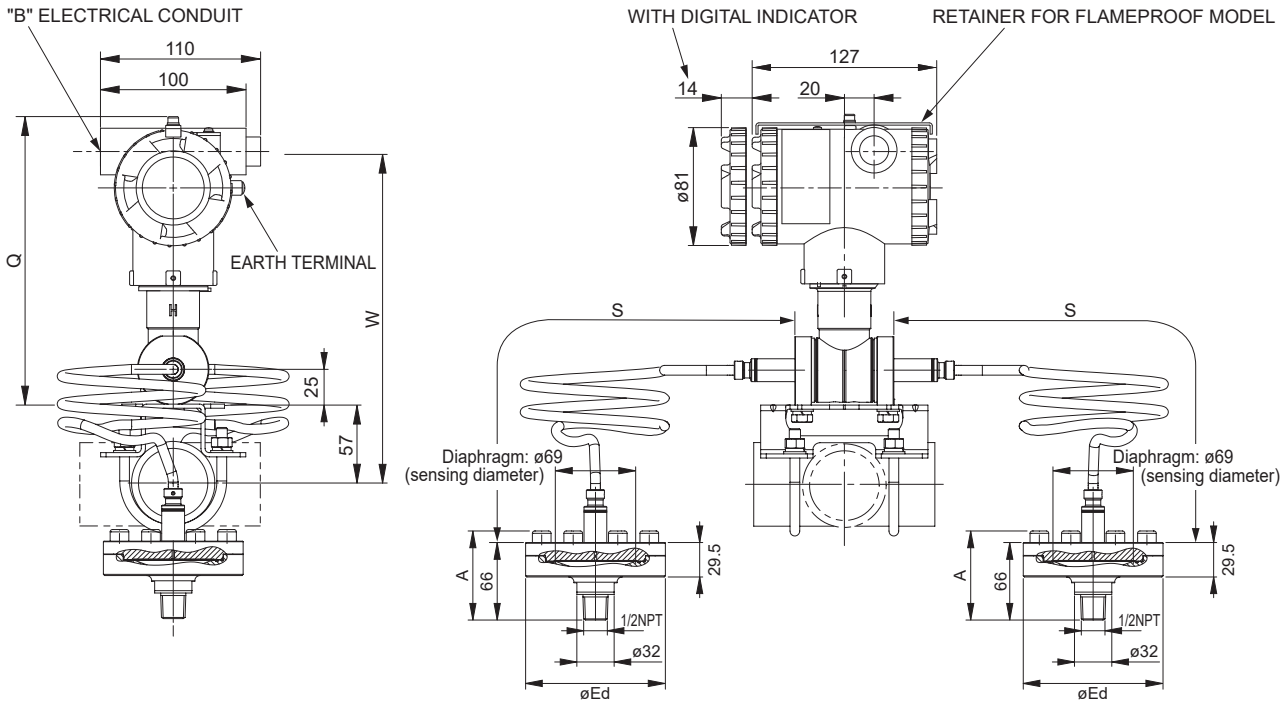
**WEIGHT :**

- TRANSMITTER ONLY : - 3.5 kg (WITHOUT OPTION)  
 ADD :  
 - FLANGES WEIGHT  
 - 1.0 kg PER 50 MM EXTENSION  
 - 0.2 kg FOR INDICATOR  
 - 2.0 kg FOR STAINLESS STEEL HOUSING OPTION

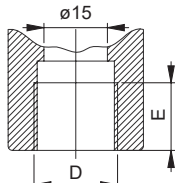
**MODEL CODE**

| MAIN PART MODEL CODE |   |   |   |   |   |   |   |   |    |    |    |    |    |    | DIAPHRAGM SEAL MODEL CODE |   |  |  |  |  |  |    |   |   |  |  |  |  |  |  |  |  |  |
|----------------------|---|---|---|---|---|---|---|---|----|----|----|----|----|----|---------------------------|---|--|--|--|--|--|----|---|---|--|--|--|--|--|--|--|--|--|
| 1                    | 2 | 3 | 4 | 5 | 6 | 7 | 8 | 9 | 10 | 11 | 12 | 13 | 14 | 15 | HP                        |   |  |  |  |  |  | LP |   |   |  |  |  |  |  |  |  |  |  |
| F                    | K | D |   |   |   |   | V | 6 | -  |    |    |    | Y  | 0  | S                         | A |  |  |  |  |  |    | S | A |  |  |  |  |  |  |  |  |  |

Differential pressure: FKD [<T shape>, capillary assembly, screwed adapter]



DETAIL "B"



SEE TABLE 1

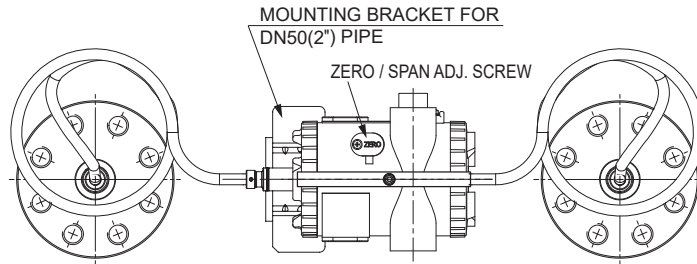
| 4 <sup>TH</sup> DIGIT OF TRANSMITTER | ELECTRICAL CONDUIT |      |
|--------------------------------------|--------------------|------|
|                                      | D                  | E    |
| 6                                    | 1/2-14NPT          | 16   |
| 7                                    | Pg13.5             | 10.5 |
| 8                                    | M20x1.5            | 16   |

TABLE 1

| 3 <sup>RD</sup> DIGIT OF DIAPHRAGM SEAL | øEd | A  | CONNECTION      |
|---|-----|----|-----------------|
| S                                       | 120 | 76 | SCREWED 1/2 NPT |

| 6 <sup>TH</sup> DIGIT | Q   | W   |
|-----------------------|-----|-----|
| 3, 5, 6, 8            | 201 | 237 |

| 6 <sup>TH</sup> DIGIT OF DIAPHRAGM SEAL | CAPILLARY LENGTH S (m) |
|---|------------------------|
| A, G                                    | 1.5                    |
| B, H                                    | 3                      |
| C, K                                    | 6                      |
| D, L                                    | UPON REQUEST           |

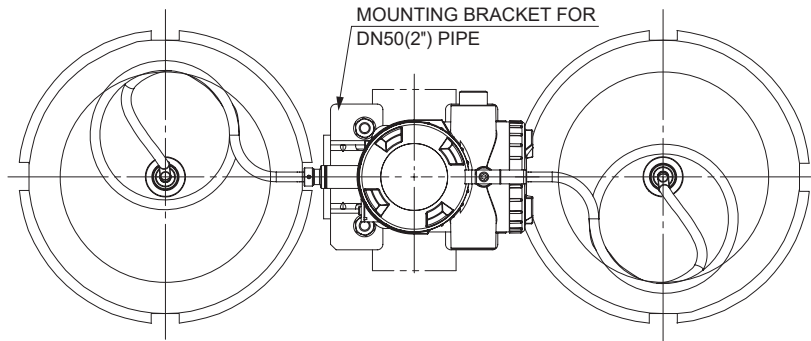
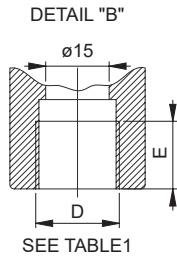
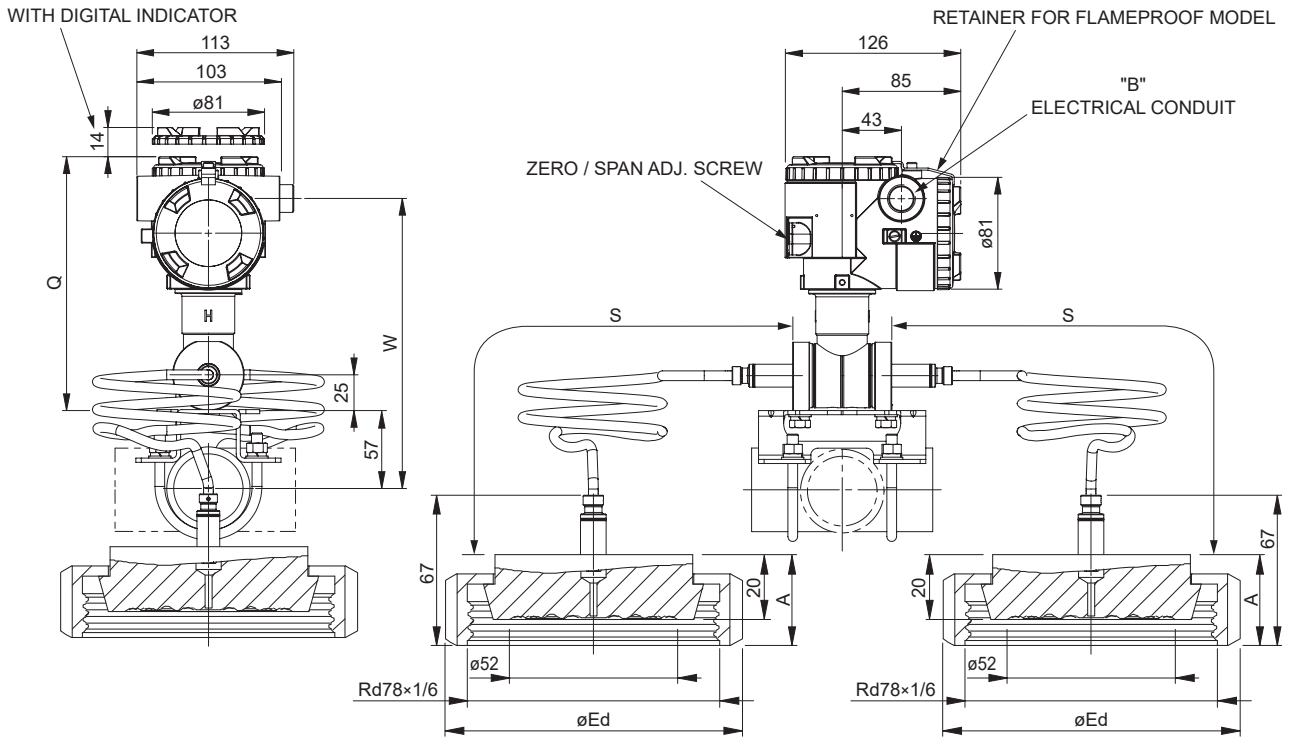


WEIGHT :  
 TRANSMITTER ONLY : - 3.5 kg (WITHOUT OPTION)  
 ADD :  
 - FLANGES WEIGHT  
 - 1.0 kg PER 50 MM EXTENSION  
 - 0.2 kg FOR INDICATOR  
 - 2.0 kg FOR STAINLESS STEEL HOUSING OPTION

MODEL CODE

| MAIN PART MODEL CODE |   |   |   |   |   |   |   |   |    |    |    |    |    | DIAPHRAGM SEAL MODEL CODE |    |   |  |  |  |  |  |    |  |  |  |  |  |  |  |   |   |  |  |  |  |  |  |  |  |  |  |  |  |  |  |  |  |
|----------------------|---|---|---|---|---|---|---|---|----|----|----|----|----|---------------------------|----|---|--|--|--|--|--|----|--|--|--|--|--|--|--|---|---|--|--|--|--|--|--|--|--|--|--|--|--|--|--|--|--|
| 1                    | 2 | 3 | 4 | 5 | 6 | 7 | 8 | 9 | 10 | 11 | 12 | 13 | 14 | 15                        | HP |   |  |  |  |  |  | LP |  |  |  |  |  |  |  |   |   |  |  |  |  |  |  |  |  |  |  |  |  |  |  |  |  |
| F                    | K | D |   |   |   | V | 6 | - |    |    |    |    |    |                           | S  | A |  |  |  |  |  |    |  |  |  |  |  |  |  | S | A |  |  |  |  |  |  |  |  |  |  |  |  |  |  |  |  |

Differential pressure: FKD [L shape], capillary assembly, DIN 11851 coupling nut



| 4 <sup>TH</sup> DIGIT OF TRANSMITTER | ELECTRICAL CONDUIT |      |
|--------------------------------------|--------------------|------|
|                                      | D                  | E    |
| T                                    | 1/2-14NPT          | 16   |
| V                                    | Pg13.5             | 10.5 |
| W                                    | M20x1.5            | 16   |

TABLE 1

| 6 <sup>TH</sup> DIGIT OF DIAPHRAGM SEAL | CAPILLARY LENGTH S (m) |
|---|------------------------|
| A, G                                    | 1.5                    |
| B, H                                    | 3                      |
| C, K                                    | 6                      |
| D, L                                    | UPON REQUEST           |

| 3 <sup>RD</sup> DIGIT OF DIAPHRAGM SEAL | $\phi Ed$ | A  | DIN 11851 COUPLING NUT |    |
|---|-----------|----|------------------------|----|
| U                                       | 92        | 28 | PN                     | DN |
|   |           |    | 20                     | 50 |

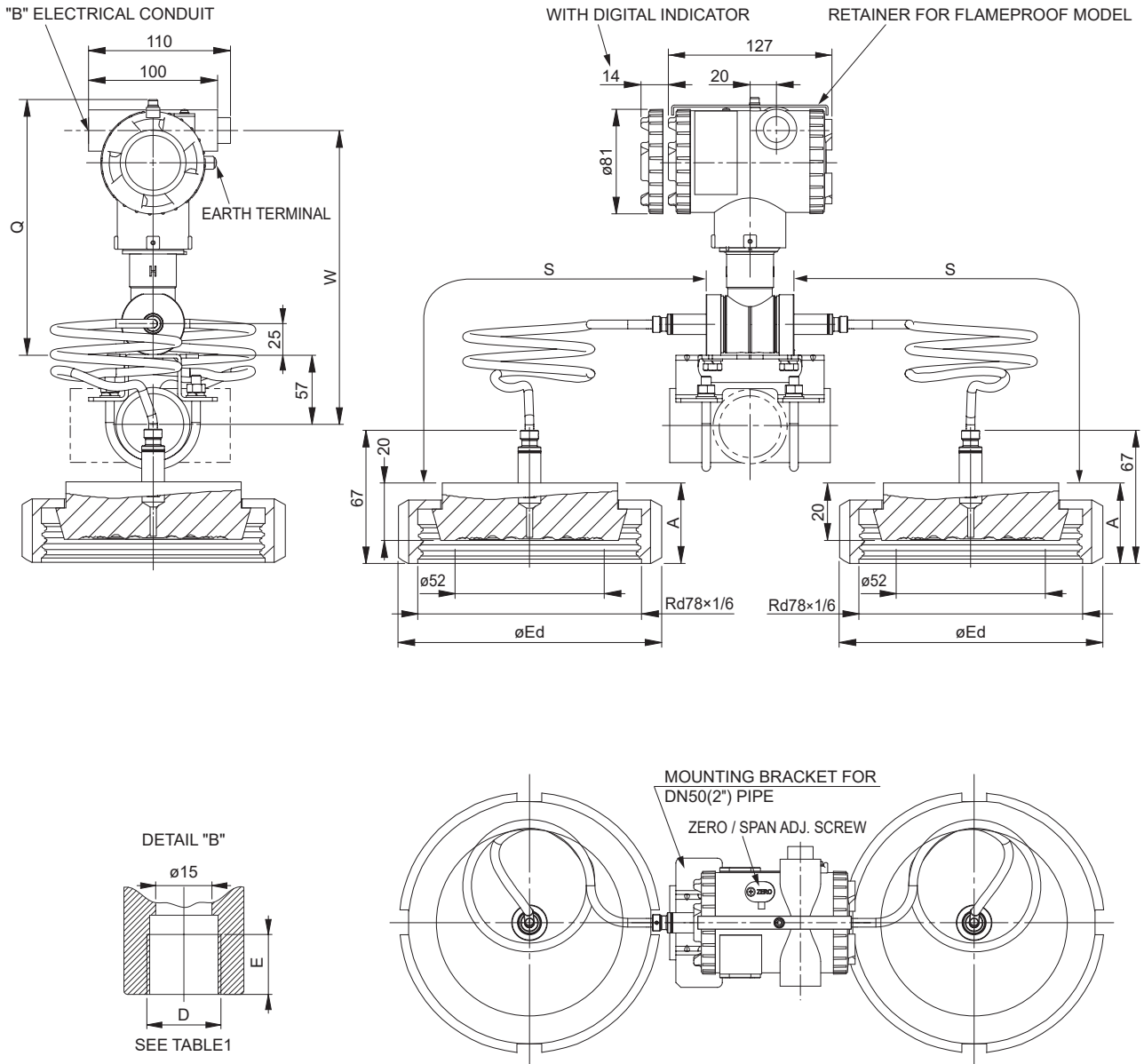
| 6 <sup>TH</sup> DIGIT | Q   | W   |
|-----------------------|-----|-----|
| 3, 4, 6, 8            | 182 | 209 |

WEIGHT :  
 TRANSMITTER ONLY : - 3.5 kg (WITHOUT OPTION)  
 ADD :  
 - FLANGES WEIGHT  
 - 1.0 kg PER 50 MM EXTENSION  
 - 0.2 kg FOR INDICATOR  
 - 2.0 kg FOR STAINLESS STEEL HOUSING OPTION

MODEL CODE

| MAIN PART MODEL CODE |   |   |   |   |   |   |   |   |    |    |    |    |    |    | DIAPHRAGM SEAL MODEL CODE |   |  |  |  |  |  |    |  |  |  |  |  |  |   |   |  |  |  |  |  |  |  |  |  |  |  |  |
|----------------------|---|---|---|---|---|---|---|---|----|----|----|----|----|----|---------------------------|---|--|--|--|--|--|----|--|--|--|--|--|--|---|---|--|--|--|--|--|--|--|--|--|--|--|--|
| 1                    | 2 | 3 | 4 | 5 | 6 | 7 | 8 | 9 | 10 | 11 | 12 | 13 | 14 | 15 | HP                        |   |  |  |  |  |  | LP |  |  |  |  |  |  |   |   |  |  |  |  |  |  |  |  |  |  |  |  |
| F                    | K | D |   |   |   |   |   |   |    |    |    |    |    |    | S                         | A |  |  |  |  |  |    |  |  |  |  |  |  | S | A |  |  |  |  |  |  |  |  |  |  |  |  |

Differential pressure: FKD [<T shape>, capillary assembly, DIN 11851 coupling nut]



| 4 <sup>TH</sup> DIGIT OF TRANSMITTER | ELECTRICAL CONDUIT |      |
|--------------------------------------|--------------------|------|
|                                      | D                  | E    |
| 6                                    | 1/2-14NPT          | 16   |
| 7                                    | Pg13.5             | 10.5 |
| 8                                    | M20x1.5            | 16   |

TABLE 1

| 6 <sup>TH</sup> DIGIT OF DIAPHRAGM SEAL | CAPILLARY LENGTH S (m) |
|---|------------------------|
| A, G                                    | 1.5                    |
| B, H                                    | 3                      |
| C, K                                    | 6                      |
| D, L                                    | UPON REQUEST           |

| 3 <sup>RD</sup> DIGIT OF DIAPHRAGM SEAL | øEd | A  | DIN 11851 COUPLING NUT |    |
|---|-----|----|------------------------|----|
|   |     |    | PN                     | DN |
| U                                       | 92  | 28 | 20                     | 50 |

| 6 <sup>TH</sup> DIGIT | Q   | W   |
|-----------------------|-----|-----|
| 3, 4, 6, 8            | 201 | 237 |

WEIGHT :  
 TRANSMITTER ONLY : - 3.5 kg (WITHOUT OPTION)  
 ADD :  
 - FLANGES WEIGHT  
 - 1.0 kg PER 50 MM EXTENSION  
 - 0.2 kg FOR INDICATOR  
 - 2.0 kg FOR STAINLESS STEEL HOUSING OPTION

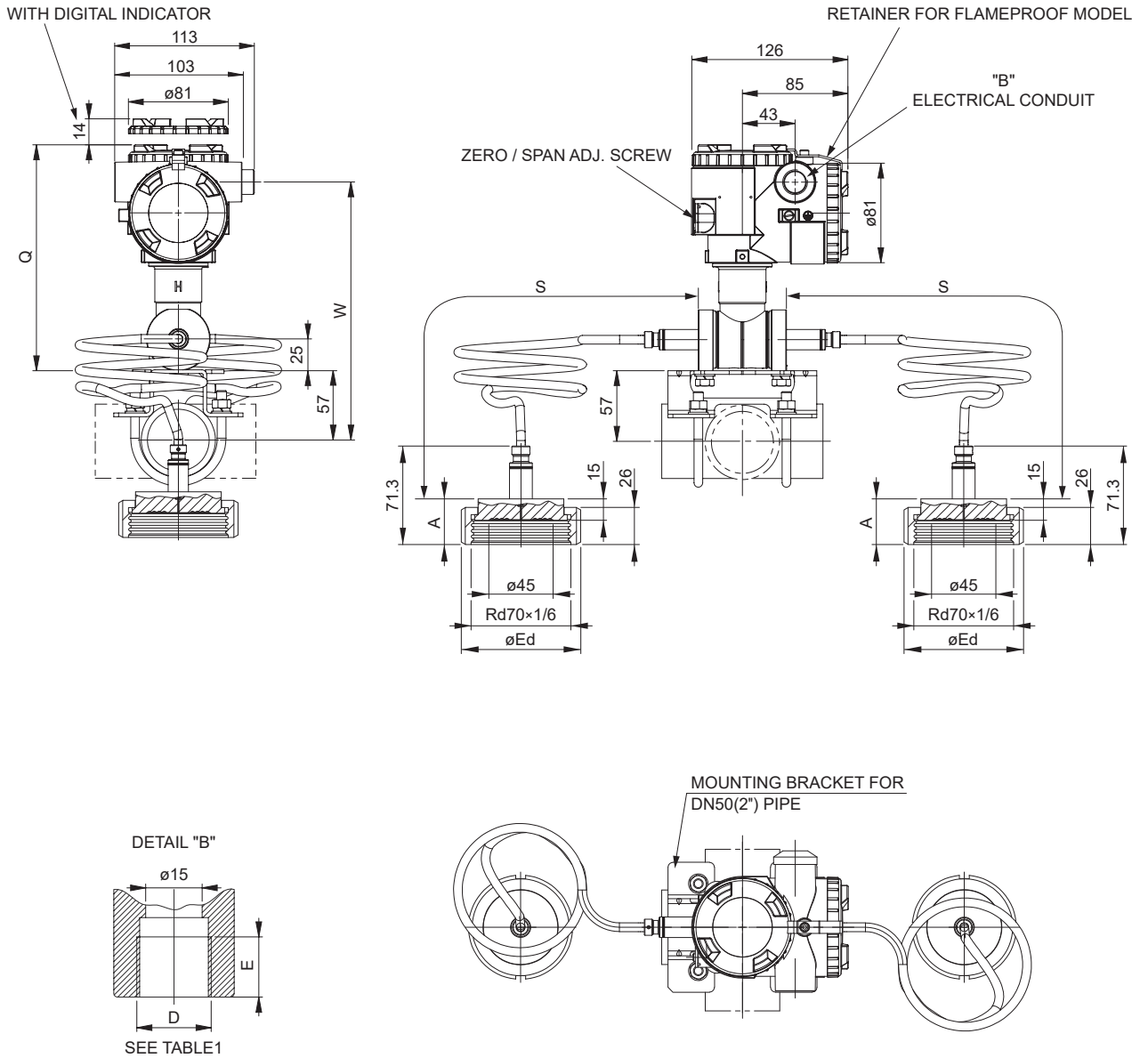
MODEL CODE

| MAIN PART MODEL CODE |   |   |   |   |   |   |   |   |    |    |    |    |    |    |
|----------------------|---|---|---|---|---|---|---|---|----|----|----|----|----|----|
| 1                    | 2 | 3 | 4 | 5 | 6 | 7 | 8 | 9 | 10 | 11 | 12 | 13 | 14 | 15 |
| F                    | K | D | □ | □ | □ | V | 6 | - | □  | □  | □  | □  | Y  | 0  |

| DIAPHRAGM SEAL MODEL CODE |   |   |    |   |   |   |
|---------------------------|---|---|----|---|---|---|
| HP                        |   |   | LP |   |   |   |
| 1                         | 2 | 3 | 4  | 5 | 6 | 7 |
| S                         | A | □ | □  | □ | □ | □ |
| 1                         | 2 | 3 | 4  | 5 | 6 | 7 |
| S                         | A | □ | □  | □ | □ | □ |



Differential pressure: FKD [L shape], capillary assembly, SMS coupling nut



| 4 <sup>TH</sup> DIGIT OF TRANSMITTER | ELECTRICAL CONDUIT |      |
|--------------------------------------|--------------------|------|
|                                      | D                  | E    |
| T                                    | 1/2-14NPT          | 16   |
| V                                    | Pg13.5             | 10.5 |
| W                                    | M20x1.5            | 16   |

TABLE 1

| 6 <sup>TH</sup> DIGIT OF DIAPHRAGM SEAL | CAPILLARY LENGTH S (m) |              |
|---|------------------------|--------------|
|   | A, G                   | B, H         |
| C, K                                    | 1.5                    | 3            |
| D, L                                    | 6                      | UPON REQUEST |

| 3 <sup>RD</sup> DIGIT OF DIAPHRAGM SEAL | øEd | A  | SMS COUPLING NUT |    |
|---|-----|----|------------------|----|
|   |     |    | PN               | DN |
| V                                       | 84  | 32 | 40               | 50 |

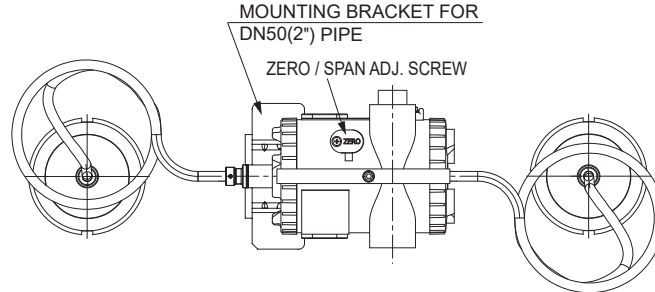
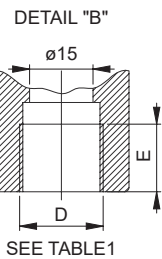
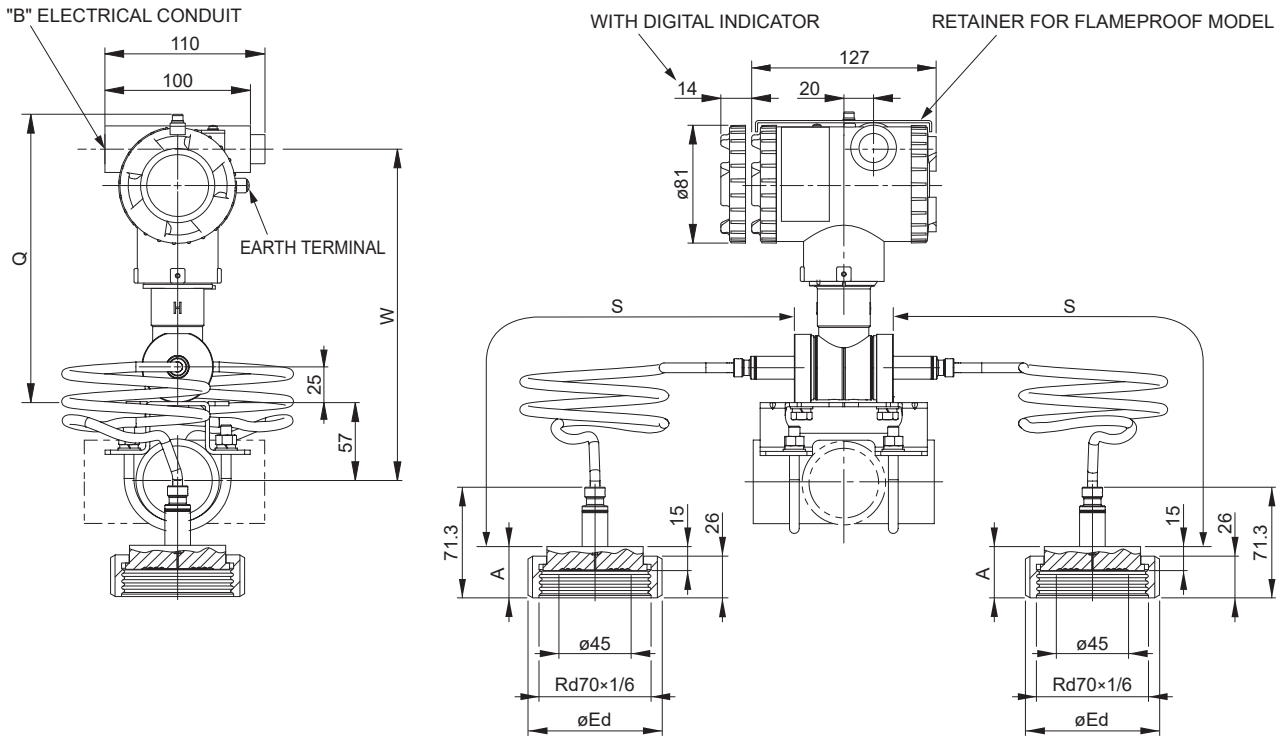
| 6 <sup>TH</sup> DIGIT | Q | W   |
|-----------------------|---|-----|
|                       |   | 182 |

WEIGHT :  
 TRANSMITTER ONLY : - 3.5 kg (WITHOUT OPTION)  
 ADD :  
 - FLANGES WEIGHT  
 - 1.0 kg PER 50 MM EXTENSION  
 - 0.2 kg FOR INDICATOR  
 - 2.0 kg FOR STAINLESS STEEL HOUSING OPTION

MODEL CODE

| MAIN PART MODEL CODE |   |   |   |   |   |   |   |   |    |    |    |    |    |    | DIAPHRAGM SEAL MODEL CODE |   |  |  |  |  |  |    |  |  |  |  |  |  |   |   |  |  |  |  |  |  |  |  |  |  |  |  |
|----------------------|---|---|---|---|---|---|---|---|----|----|----|----|----|----|---------------------------|---|--|--|--|--|--|----|--|--|--|--|--|--|---|---|--|--|--|--|--|--|--|--|--|--|--|--|
| 1                    | 2 | 3 | 4 | 5 | 6 | 7 | 8 | 9 | 10 | 11 | 12 | 13 | 14 | 15 | HP                        |   |  |  |  |  |  | LP |  |  |  |  |  |  |   |   |  |  |  |  |  |  |  |  |  |  |  |  |
| F                    | K | D |   |   |   |   |   |   |    |    |    |    |    |    | S                         | A |  |  |  |  |  |    |  |  |  |  |  |  | S | A |  |  |  |  |  |  |  |  |  |  |  |  |

Differential pressure: FKD [<T shape>, capillary assembly, SMS coupling nut]



| 4 <sup>TH</sup> DIGIT OF TRANSMITTER | ELECTRICAL CONDUIT |      |
|--------------------------------------|--------------------|------|
|                                      | D                  | E    |
| 6                                    | 1/2-14NPT          | 16   |
| 7                                    | Pg13.5             | 10.5 |
| 8                                    | M20x1.5            | 16   |

TABLE 1

| 6 <sup>TH</sup> DIGIT OF DIAPHRAGM SEAL | CAPILLARY LENGTH S (m) |
|---|------------------------|
| A, G                                    | 1.5                    |
| B, H                                    | 3                      |
| C, K                                    | 6                      |
| D, L                                    | UPON REQUEST           |

| 3 <sup>RD</sup> DIGIT OF DIAPHRAGM SEAL | øEd | A  | SMS COUPLING NUT |    |
|---|-----|----|------------------|----|
|   |     |    | PN               | DN |
| V                                       | 84  | 32 | 40               | 50 |

| 6 <sup>TH</sup> DIGIT | Q | W   |
|-----------------------|---|-----|
|                       |   | 182 |

WEIGHT :  
 TRANSMITTER ONLY : - 3.5 kg (WITHOUT OPTION)  
 ADD :  
 - FLANGES WEIGHT  
 - 1.0 kg PER 50 MM EXTENSION  
 - 0.2 kg FOR INDICATOR  
 - 2.0 kg FOR STAINLESS STEEL HOUSING OPTION

MODEL CODE

| MAIN PART MODEL CODE |   |   |   |   |   |   |   |   |    |    |    |    |    |    |
|----------------------|---|---|---|---|---|---|---|---|----|----|----|----|----|----|
| 1                    | 2 | 3 | 4 | 5 | 6 | 7 | 8 | 9 | 10 | 11 | 12 | 13 | 14 | 15 |
| F                    | K | D | □ | □ | V | 6 | - | □ | □  | □  | □  | Y  | -  | 0  |

| DIAPHRAGM SEAL MODEL CODE |   |   |    |   |   |   |
|---------------------------|---|---|----|---|---|---|
| HP                        |   |   | LP |   |   |   |
| 1                         | 2 | 3 | 4  | 5 | 6 | 7 |
| S                         | A | □ | □  | □ | □ | □ |



---

**Fuji Electric France S.A.S.**

46 rue Georges Besse - ZI du brézet - 63039 Clermont ferrand

Tél : 04 73 98 26 98 - Fax : 04 73 98 26 99

Mail : [sales.dpt@fujielectric.fr](mailto:sales.dpt@fujielectric.fr) - web : [www.fujielectric.fr](http://www.fujielectric.fr)

---

Fuji Electric can accept no responsibility for possible errors in catalogues, brochures and other printed material. Fuji Electric reserves the right to alter its products without notice. This also applies to products already on order provided that such alterations can be made without subsequential changes being necessary in specifications already agreed. All trademarks in this material are property of the respective companies. All rights reserved.

---