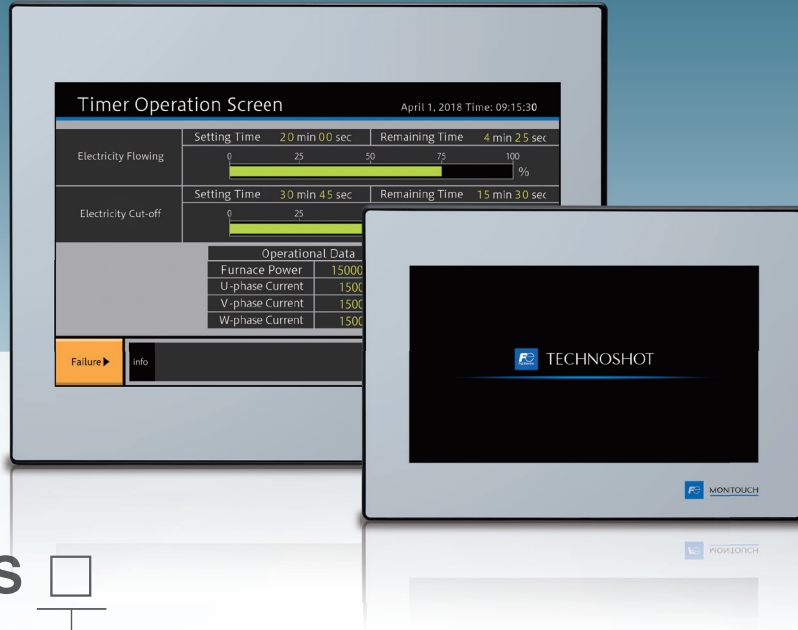


TECHNOSHOT TS1000 Smart Series

- Supports remote operation via VNC server
- Complies with several global standards (CE/KC/UL/cUL)
- Expands FROM capacity 220%*(26 MB) *Compared to TS1000 series



TS1100Si

TS1070S
TS1070Si

Model

TS1 0S

Display size

07: 7.0" widescreen

10: 10.2" widescreen

Interface

i : Built-in Ethernet port

None : No built-in Ethernet port

Specifications



Item	TS1070S	TS1070Si	TS1100Si
Main unit	Screen size		7.0" widescreen
	Display device		TFT color
	Resolution		800 × 480 dots
	Colors		65,536 colors
	Backlight		LED
	Touch screen		Analog resistive
	Certifications		CE/KC/UL/cUL
User memory	FROM		26MB
	SRAM		128KB
External interface	COM1 D-Sub9 pin (female) RS-422/RS-485 (4-wire/2-wire) Data length: 7, 8 bits Parity: Even, odd, none Stop bits: 1, 2 dots Baud rate: 4,800, 9,600, 19,200, 38,400, 57,600, 76,800, 115,200, 187,500*1bps		
	COM2/COM3 D-Sub9 pin (male) COM2: RS-232C COM3: RS-422/RS-485 (2-wire) Data length: 7, 8 bits Parity: Even, odd, none Stop bits: 1, 2 bits Baud rate: 4,800, 9,600, 19,200, 38,400, 57,600, 76,800, 115,200 bps		
	Ethernet		1 ch
	USB-A		1 ch
	USB mini-B		1 ch
Power supply	Permissible range of voltage		DC24V±10%
	Power consumption (max. rating)		11 W or less / 12 W or less
Physical environment	Ambient temperature		0 to 50°C*2
	Ambient humidity		85% RH or less (without dew condensation)*2
	Contamination level		2
	Operation altitude		2,000 m or less
	Atmosphere		No exposure to corrosive gas or conductive dust
	Ambient storage temperature		-10 to 60°C*2
	Ambient storage humidity		85% RH or less (without dew condensation)*2
Installation conditions	Protective structure Panel front: IP65 equivalent (when using waterproof gasket*3)/IP40 equivalent (when not using a waterproof gasket*3) Rear case: IP20 equivalent		
	Dimensions W×H×D		198.8 × 141.8 × 38.0 mm / 266.8 × 206.8 × 38.0 mm
	Panel cutout		189.0 × 134.0 (+0.5/-0) mm / 257.0 × 199.0 (+0.5/-0) mm
	Case color		Black

*1 187,500 bps is only for Siemens MPI/PPI communications. *2 Use at a wet-bulb temperature of 39°C or less because higher temperatures may cause failure. *3 This is an optional accessory.

Dimensions

7.0" widescreen

TS1070S TS1070Si

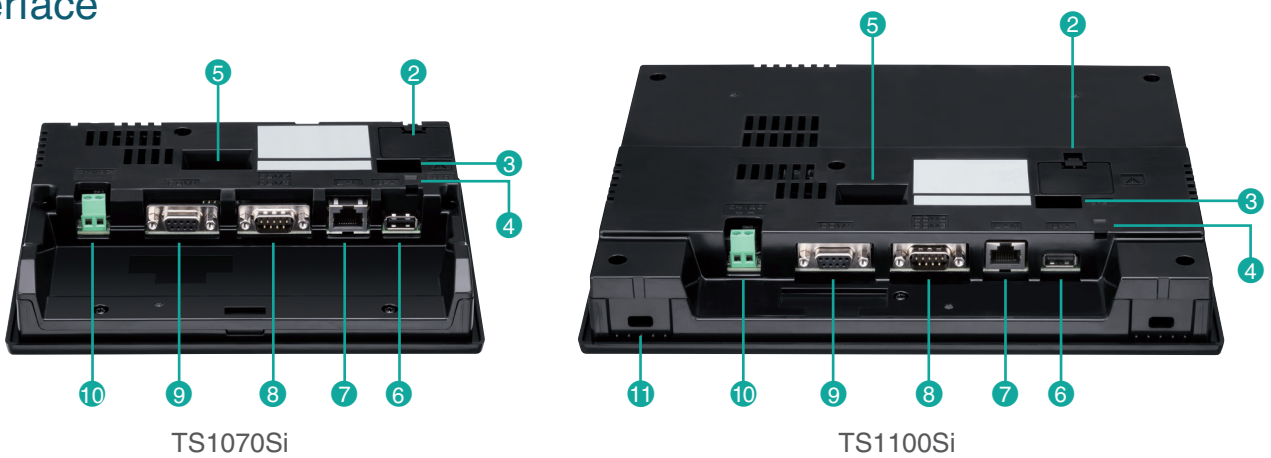
Unit: mm

10.2" widescreen

TS1100Si

Unit: mm

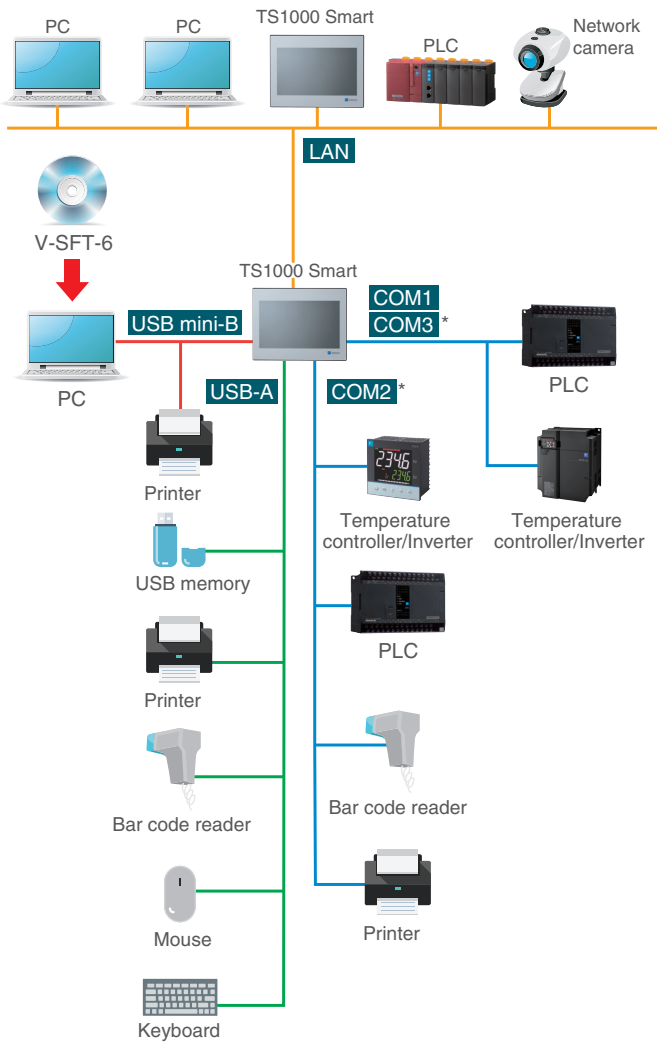
Interface



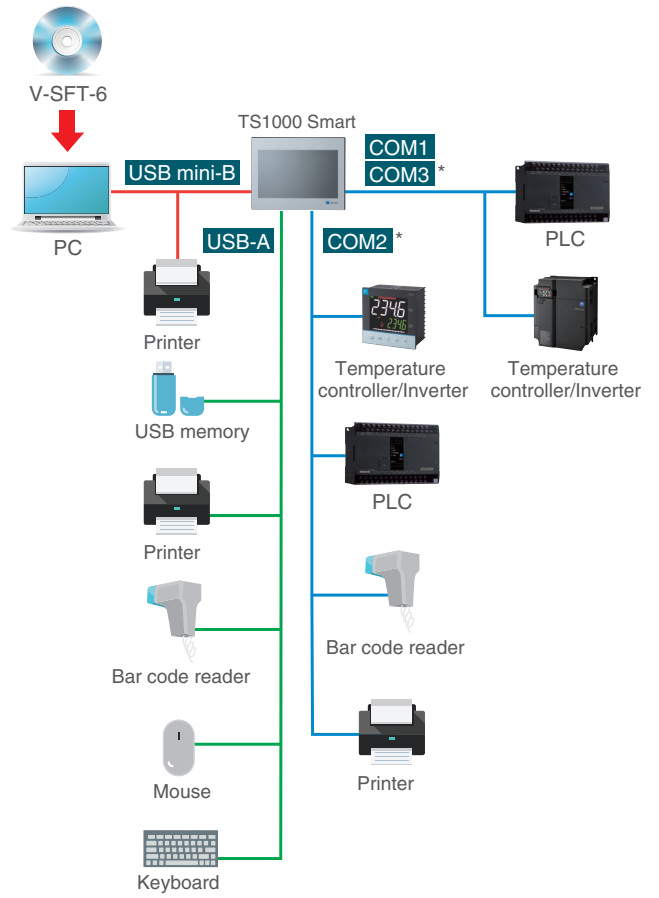
- | | | |
|---|--|---|
| <ul style="list-style-type: none"> ① Display ② Battery compartment ③ USB mini-B (U-B) ④ USB cable retention | <ul style="list-style-type: none"> ⑤ DIP switch ⑥ USB-A (U-A) ⑦ 100BASE-TX/10BASE-T connector (LAN)
*Only TS1070Si/TS1100Si | <ul style="list-style-type: none"> ⑧ RS-232C/RS-422/RS-485 connector (COM2/COM3) ⑨ RS-422/RS-485 connector (COM1) ⑩ Power input terminal block ⑪ Mounting point |
|---|--|---|

System Configuration

TS1070Si
TS1100Si



TS1070S



— Ethernet — USB-A — Serial — USB mini-B

*COM2 and COM3 are the same port.
COM2 and COM3 can be used at the same time.

Safety Considerations

- For safe operation, read the instruction manual or user manual that comes with the product carefully or consult the distributor from which you purchased the product, before using the product.
- Products introduced in this catalog have not been designed or manufactured for such applications in a system or equipment that will affect human bodies or lives.
- Customers, who want to use the products introduced in this catalog for special systems or devices such as for atomic-energy control, aerospace use, medical use, passenger vehicle, and traffic control, are requested to consult the Hakko Overseas Sales Section.
- Customers are requested to prepare safety measures when they apply the products introduced in this catalog to such systems or facilities that will affect human lives or cause severe damage to property if the products become faulty.
- For safe operation, wiring should be conducted only by qualified engineers who have sufficient technical knowledge about electrical work or wiring.

Notes to consider before purchasing

- Appearance and specifications are subject to modification without prior notice due to technical improvements.
- Colors in the catalog may differ from the actual colors due to printing inaccuracies.
- Consult your distributor or us for further information about products in this catalog.



Fuji Electric France S.A.S.

46 rue Georges Besse - ZI du brézet - 63039 Clermont ferrand

Phone : 04 73 98 26 98 - Fax : 04 73 98 26 99

Email : sales.dpt@fujielectric.fr - web : www.fujielectric.fr