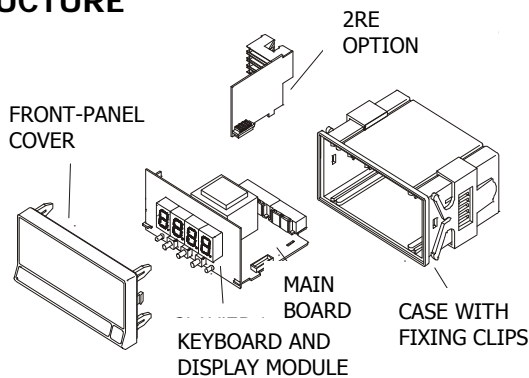


DESCRIPTION

The FD3200 model is small format, 3¾ digit instrument designed for temperature measurement with an input stage prepared for connection of Pt100 sensors with three wires. Software configuration allows selection of reading units (Celsius or Fahrenheit) and resolution (degrees or tenths of degree).
Optionally, it can be equipped with a 2-relay control output card (2RE). This option provides an output connector at the rear of the meter, status LED's visible from the front and specific programming routines which are enabled automatically once the card is installed.



STRUCTURE



STANDARD

- Panel-mounting 1/8 DIN case, depth 60mm.
- Electronics assembly :
 - Main board.
 - Keyboard and display module.
- Fixing clips for panel mounting.
- Frontal sealing gasket.
- Plug-in terminal block connectors.

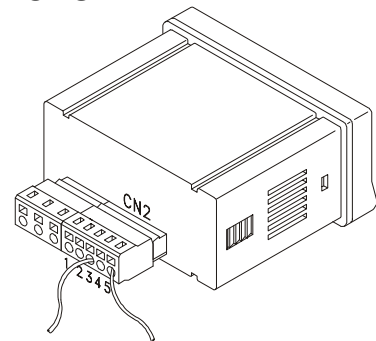
OPTIONS

- 2 SPDT relays rated 8A @ 250V AC Réf. 2RE

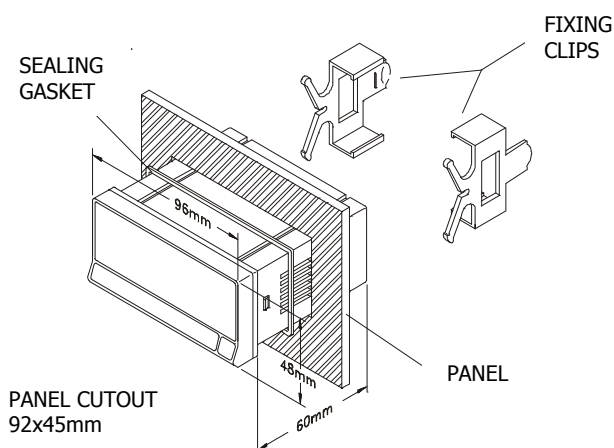
CODIFICATION

1	2	3	4	5	6	Description
F	D	3				
						INPUT TYPE
						2 or 3 wires Pt100 temperature input
						POWER SUPPLY
						115 / 230 Vac - 50/60Hz
						12Vdc
						24Vdc
						ALARM
						Without
						1 2 alarm relay outputs (High & Low)

CONNECTIONS



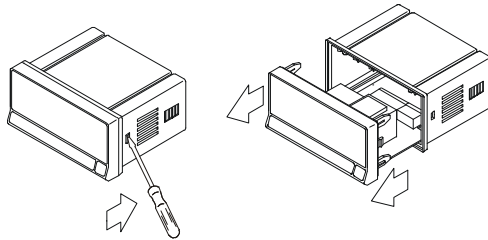
DIMENSIONS AND MOUNTING



CN1		POWER SUPPLY	
PIN		AC VERSION	DC VERSION
1		AC HI	+V DC
2		GND (GROUND)	-
3		AC LO	-V DC
CN2		INPUT SIGNAL	
PIN		Pt100 input	
1		Not connected	
2		Not connected	
3		Pt100	
4		Pt100 (same end as pin 3)	
5		Pt100 COMMUN	

Pt100 Panel Meter FD3200

DISASSEMBLY



POWER SUPPLY (JUMPER SELECTION)

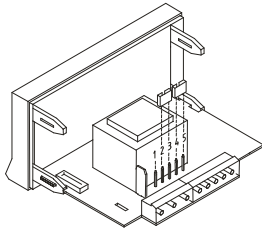
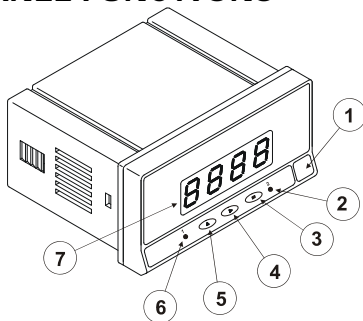


Table 1- Jumper setting.

Pin	1	2	3	4	5
230V AC	-	■	■	■	■
115V AC	■	■	■	■	-
48V AC	-	■	■	■	■
24V AC	■	■	■	■	-

FRONT-PANEL FUNCTIONS



	MODE	RUN	PROG
Label	1	Measurement unit	
Led 2	2	Setpoint 2 is active	Programming of the setpoint2
□ key	3	Shows programming data. Gives access to PROG	Validates programmed data. Advances one program step. Exit
➤ key	4	-	Shifts to the right
▲ key	5	-	Gives access to the setpoint values. Increments the active digit value.
Led 1	6	Setpoint 1 is active	Programming of the setpoint1
Display	7	Displays measured variable	Shows programming parameters

TECHNICAL CHARACTERISTICS

INPUT SIGNAL

- Configurationdifferential asymmetrical

- Pt100 excitation current< 1 mA
- Max. lead resistance..... 40 Ω/ wire (balanced)

Input	Range (res. 0.1°C)	Range (res. 1°C)
Pt100	-100.0 to +200.0 °C	-200.0 to +800.0 °C
	-148.0 to +392.0 °F	-328.0 to +1472.0 °F

- LinearizationDIN 43760
- Alpha coefficient α= 0.0385

POWER SUPPLY

- AC voltages..... 115 V/230 V 50/60 Hz (±10%)
- DC voltages..... 12 V (10.5 à 16 V) DC
24 V (21 à 32 V) DC
- Consumption 3.5 W

ACCURACY at 23 °C ±5 °C

- Max error :
Pt100 (res. 0.1 °C)..... ± (0.1% of the reading +0.3 °C)
Pt100 (res. 1 °C)..... ± (0.1% of the reading +1 °C)
Pt100 (res. 0.1 °F)..... ± (0.1% of the reading +0.5 °F)
Pt100 (res. 1 °F)..... ± (0.1% of the reading +1.5 °F)
- Température coefficient.....100ppm/ °C
- Warm-up time 5 minutes

FUSES (DIN 41661)

- FD3210 (115/230 V AC) F 0.1A / 250 V
- FD3230 (12 V DC) F 1A / 250 V
- FD3240 (24 V DC) F 0.5A / 250 V

A/D CONVERSION

- Technique..... Sigma-Delta
- Résolution..... ±15 bits
- Read data25/s

DISPLAY

- Range..... -1999/ 9999, 20 mm LED rouge
- Decimal point programmable
- LEDs.....2 indication état des seuils
- Reading rate 250 ms
- Display overrange indication OvE

ENVIRONNEMENTAL

- Working temperature -10°C a +60°C
- Storage Temperature-25°C a 80°C
- Relative humidity <95% a 40°C
- Max. Altitude..... 2000 m

MECHANICAL

- Dimensions1/8 DIN 96 x 48 x 60 mm
- Weight.....250 g
- Case material UL 94 V-0 Poly carbonate
- Sealed front panel IP65 (Indoor use)

ORDERING REFERENCES

- 115/230 V AC 50/60 Hz power supply..... FD3210
- 12 V DC power supply FD3230
- 24 V DC power supply FD3240

Fuji Electric France S.A.S.

46, Rue Georges Besse - Z I du Brézet - 63 039 Clermont-Ferrand cedex 2 FRANCE

France : Tél. 04 73 98 26 98 - Fax 04 73 98 26 99 - International : Tél. (33) 4 7398 2698 - Fax. (33) 4 7398 2699

E-mail : sales.dpt@fujielectric.fr – WEB : www.fujielectric.fr