

# Product information

## Programmable Display V9101iW Series

Read online: <http://monitouch.fujielectric.com/site/v9-e/v9101iw-01.html>

**V9101iW** series

10.1 inches	TFT	16.7M colors	WSVGA	3ch Serial (D-sub15)	SD I/F	A/mini B USB	COM I/F	LAN 2ch	Audio
-------------	-----	--------------	-------	----------------------	--------	--------------	---------	---------	-------



**V9101iWRLD**

**V9101iWLD**



- **Product specifications**
- **Interface / Dimensions and Part Names**
- **Model**

### Dimensions and Part Names

		V9101iW
Power supply	Rated voltage	24V DC
	Permissible range of voltage	DC: $\pm 10\%$
	Permissible momentary power failure	DC within 1ms
	Demand (maximum rating)	DC: 27W or less
Insulation resistance		DC500V 10M $\Omega$ or more

		V9101iW
Physical environment	Ambient temperature	0~50°C *1
	Ambient humidity	85%RH or less (without dew condensation) *1
	Operation altitude	2,000 meters or lower
	Atmosphere	Not to be exposed to corrosive gas, or conductive dust
	Storage temperature	-10~60°C *1
	Storage humidity	85%RH or less (without dew condensation) *1
	Overvoltage category	Category II
	Contamination level	Level 2
Mechanical operating conditions	Resistance to oscillation	Complies with JIS B 3502 (IEC61131-2) Vibration frequency: 59Hz, pulsating with:3.5mm, 150Hz, Acceleration: 9.8m/s <sup>2</sup> (1G), X,Y,Z: 3 directions (10 times each)
	Resistance to shock	Complies with JIS B 3502 (IEC61131-2) Peak acceleration: 147m/s <sup>2</sup> (15G), X,Y,Z: 3 directions, three times each (18 times in total)
Electric operating conditions	Resistance to noise	Noise voltage: 1,000Vp-p, pulse width: 1μs, pulse rise time: 1ns
	Resistance to static discharge	Complies with IEC61000-4-2, contact: 6kV, air: 8kV
Installation conditions	Grounding	Grounding resistance: Less than 100Ω, FG/SG separation
	Structure	Front panel: Complies with IP66, Type 4X/13 *2 (when waterproof gasket is installed) Rear cover: Complies with IP20 Form: Single unit, Installation method: Panel mounting
	Cooling system	Natural air cooling
	Dimensions W*H*D(mm)	278.5×198.5×53.2
	Panel cutout (mm)	257.0×183.0 (+0.5/-0)
Case color		Light gray
Material		PC

- \*1: Wet-bulb temperature should be 39°C or lower to prevent malfunction.
- \*2: Hardware version c and later

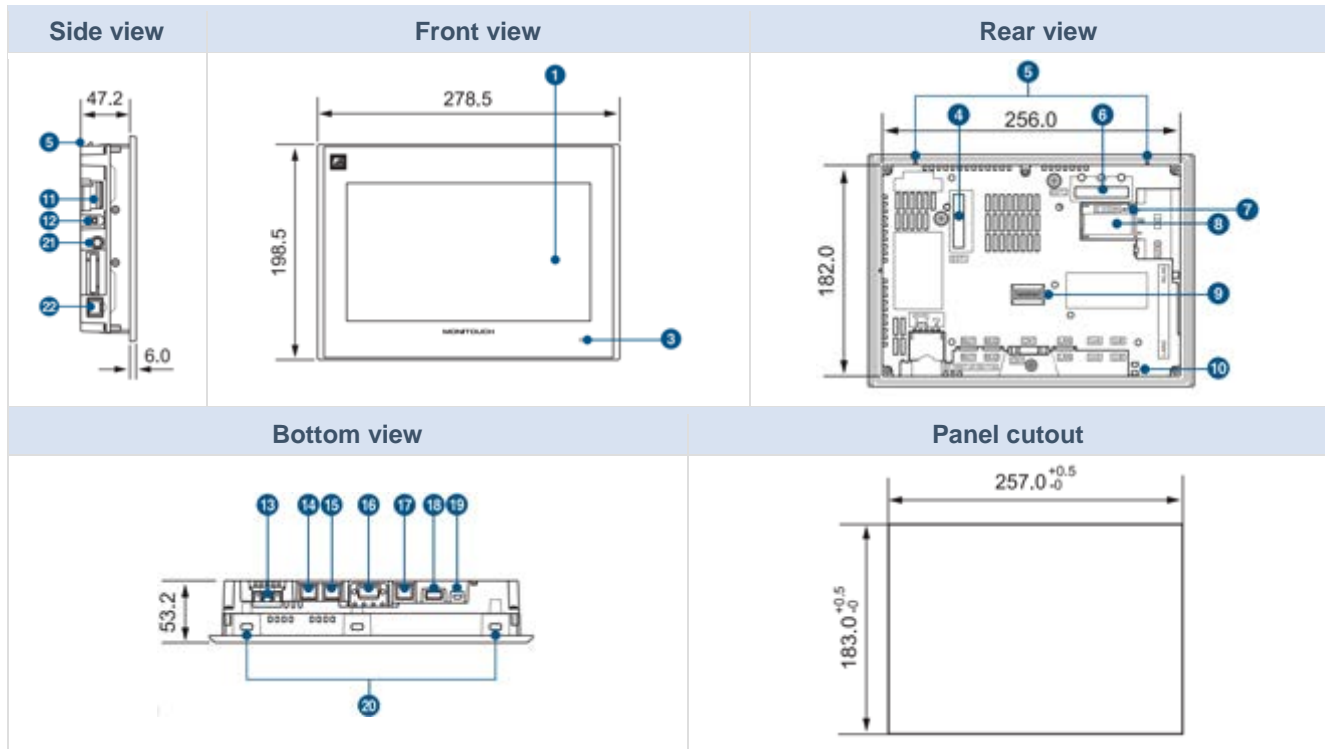
# Performance Specifications

Screen memory (FROM)		64MB
Backup memory (SRAM)		800KB
Display	Display device	TFT color LCD
	Resolution	1024x600
	Display size	10.1"
	Colors	16.7 million *3
	Backlight	LED
	Backlight life	50,000 hours
Touch switch	Type	Capacitance
External interface	D-Sub 9-pin (CN1)	RS-232C/ RS-485(2-wire system)/ RS-422(4-wire system), Asynchronous type, Data length: 7,8 bits, Parity: even, odd, none, Stop bit: 1, 2 bits, Baud rate: 4800, 9600, 19200, 38400, 57600, 76800, 115200, 187500*4bps
	Modular 8-pin (MJ1/MJ2)	RS-232C/ RS-485(2-wire system), Asynchronous type, Data length: 7,8 bits, Parity: even, odd, none, Stop bit: 1, 2 bits, Baud rate: 4800, 9600, 19200, 38400, 57600, 76800, 115200 bps
	SD card	One card slot provided as standard
	Ethernet	2ch, Baud rate: 100Mbps, 10Mbps
	Wireless LAN	Complies with IEEE802.11b/g/n(2.4GHz)*5
	USB	Type A, Type mini-B(Ver.2.0)
	Sound output	1ch provided as standard
Clock	Backup period	5 years (Ambient temperature 25°C)
	Calendar accuracy	Gap ±90 sec. per month (Ambient temperature 25°C, when power is not supplied)
Standard	CE marking	EN61000-6-2,EN61000-6-4、 EN50581
	UL·cUL	UL508
	KC	Compliant
	Radio Act *5	Japan:TELEC USA:FCC Canada:IC RSS EU:R&TTE South Korea:KC

- \*3: Only for pictures, 3D parts and videos. Other items are displayed in 65,536 colors.
- \*4: Only for SIEMENS MPI/PPI.
- \*5: Wireless LAN-compatible products only.

## Dimensions and Part Names

(Unit: mm)



### Part Names

1. **1** Display
2. **2** Function switch
3. **3** Power lamp
4. **4** Communication unit connector (EXT1)
5. **5** Fall prevention hook
6. **6** Optional unit connector (EXT2)
7. **7** SD card access LED
8. **8** Battery holder
9. **9** DIP switch
10. **10** USB cable holding hole
11. **11** SD card connector
12. **12** Sound output connector (AUDIO)
13. **13** Power input terminal block
14. **14** Modular jack 1 (MJ1)
15. **15** Modular jack 2 (MJ2)
16. **16** PLC connector (CN1)
17. **17** 100BASE-TX/10BASE-T port (LAN)
18. **18** USB-A (U-A)

- 19. **19** USB mini-B (U-B)
- 20. **20** Screw hole
- 21. **21** Wireless LAN antenna connector
- 22. **22** 100BASE-TX/10BASE-T port (LAN2)

## Models

