

Microventuri flue gas flow rate monitors

DATASHEET

ZMV

Microventuri based continuous monitoring of flue gas flow rate, pressure and temperature. Designed for tough industrial applications with highly dusts loaded flue gas. Suitable for applications: Flow, Pressure and Temperature.

APPLICATIONS

1. Environmental Monitoring:

- Combustion plants
- Incineration
- District Heating
- CEMS in a wide range of industry sectors

2. Fuji Electric Components:

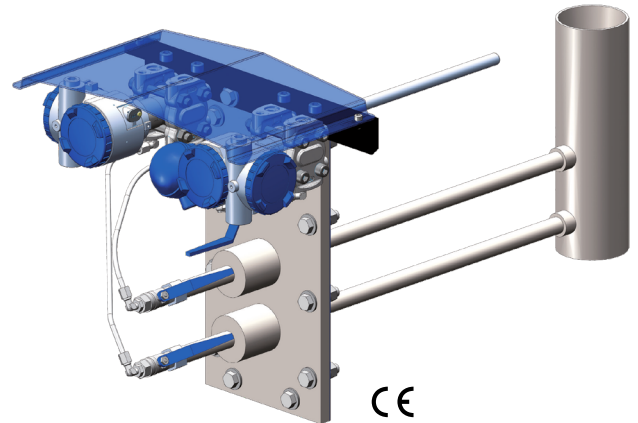
- Designed and manufactured by Fuji Electric France:
- FKC very high performance Pressure Transmitters
 - Fuji Electric Hardware and Software (option) design

3. Adaptability:

- Mounted on small or large diameter stacks
- Only one flange on only one side of the stack
- Perfect for very dusty applications:
 - No clogging possible
 - Biomass, coal or fuel fired boilers

4. Turnkey System:

- One single flange on the stack – Three signals:
 - Differential pressure / Velocity
 - Static pressure
 - Temperature



SPECIFICATIONS

Measuring principles:

MicroVenturi
Differential pressure, Pt100

Measuring ranges:

Flow: 0 / 1.000.000 m³/h
Temperature: 0 / 300 °C
Differential pressure: 0 / 10 mbar
Static pressure: 800 / 1200 mbar

Duct diameter: 300 / 3000 mm

Ambient temperature:

-20 / +50 °C

Flue gas velocity:

3 m/s min

Analog outputs:

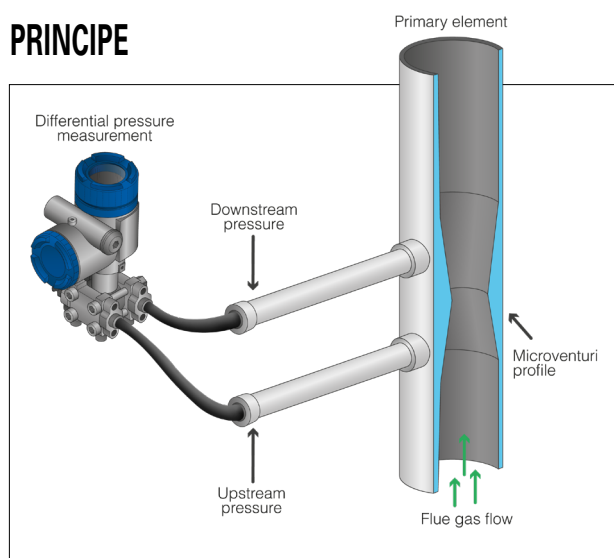
3 x 4-20 mA

Options :

Fuji Electric Touch Screen interface
Normalized flow calculation
Alarm outputs
Modbus communication
Automatic backflush

Power Supply: 110 VAC, 230VAC, 24 VDC

PRINCIPE



CODE SYMBOLS

1	2	3	4	5	-	6	7	8	9	10	Description
Z	M	V									(1) TYPE Micro-venturi flowmeter stainless steel fasteners, anti-corrosion paint
Z	M	V									(4) VERSION Standard
			F								(5) DUCT INTERNAL DIAMETER (mm)
				A							600
				B							800
				C							1000
				D							1200
				E							1400
				F							1600
				G							1800
				H							2000
				I						*(1)	2500
				J						*(1)	3000
				Z							Others
											(6) DUCT ORIENTATION
										H	Horizontal
										V	Vertical
											(7) WEATHER PROTECTION COVER FOR OUTDOOR APPLICATION
										Y	Without
										O	With
											(8) STATIC PRESSURE MEASUREMENT
										Y	Without
										O	With
											(9) TEMPERATURE MEASUREMENT
										Y	Without
										O	With
											(10) CABINET with FLOW CORRECTION CALCULATOR
										Y	Without
										C	Calculator cabinet without backflush
										F	Calculator cabinet with backflush
										Z	Calculator cabinet with special HMI function / specification

*(1) : upon request

OPTIONS FOR MICRO-VENTURI : Counter Flange for micro-venturi + gasket + bolts and nuts



Fuji Electric France S.A.S.

46, rue Georges Besse - ZI du Brézet- 63039 Clermont-Ferrand Cedex 2 - France

Tél. France 04 73 98 26 98 - Fax. 04 73 98 26 99 - Tel. international +33 4 73 98 26 98 - Fax. +33 4 73 98 26 99

Email : sales.dpt@fujielectric.fr - Web : www.fujielectric.fr

La responsabilité de Fuji Electric n'est pas engagée pour des erreurs éventuelles dans des catalogues, brochures ou divers supports imprimés. Fuji Electric se réserve le droit de modifier ses produits sans préavis. Ceci s'applique également aux produits commandés, si les modifications n'altèrent pas les spécifications de façon substantielle. Les marques et appellations déposées figurant dans ce document sont la propriété de leurs déposants respectifs. Tous droits sont réservés.