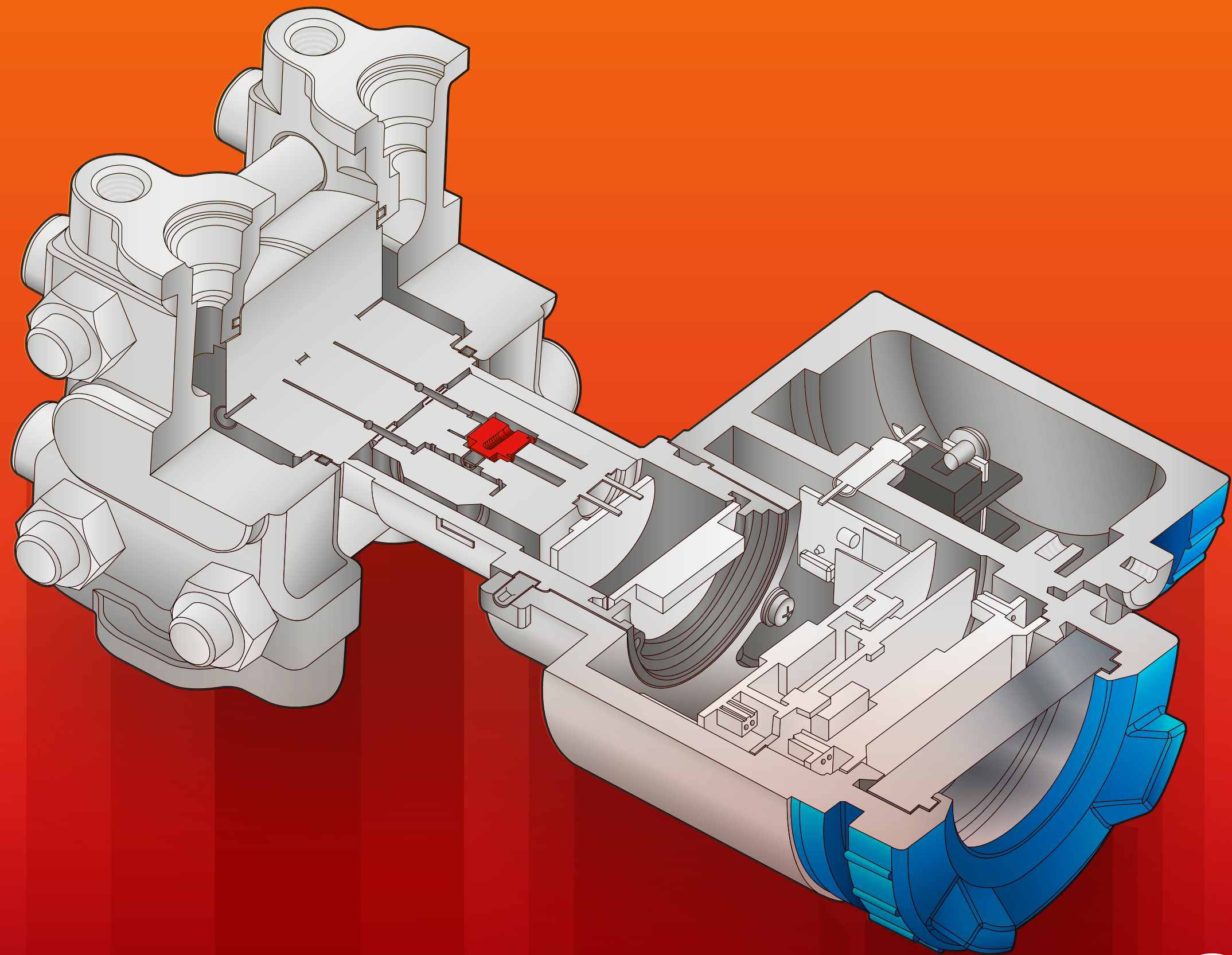


**EXTREME TEMPERATURES
IN YOUR PROCESSES
CHALLENGE YOUR
PRESSURE MEASUREMENTS?**



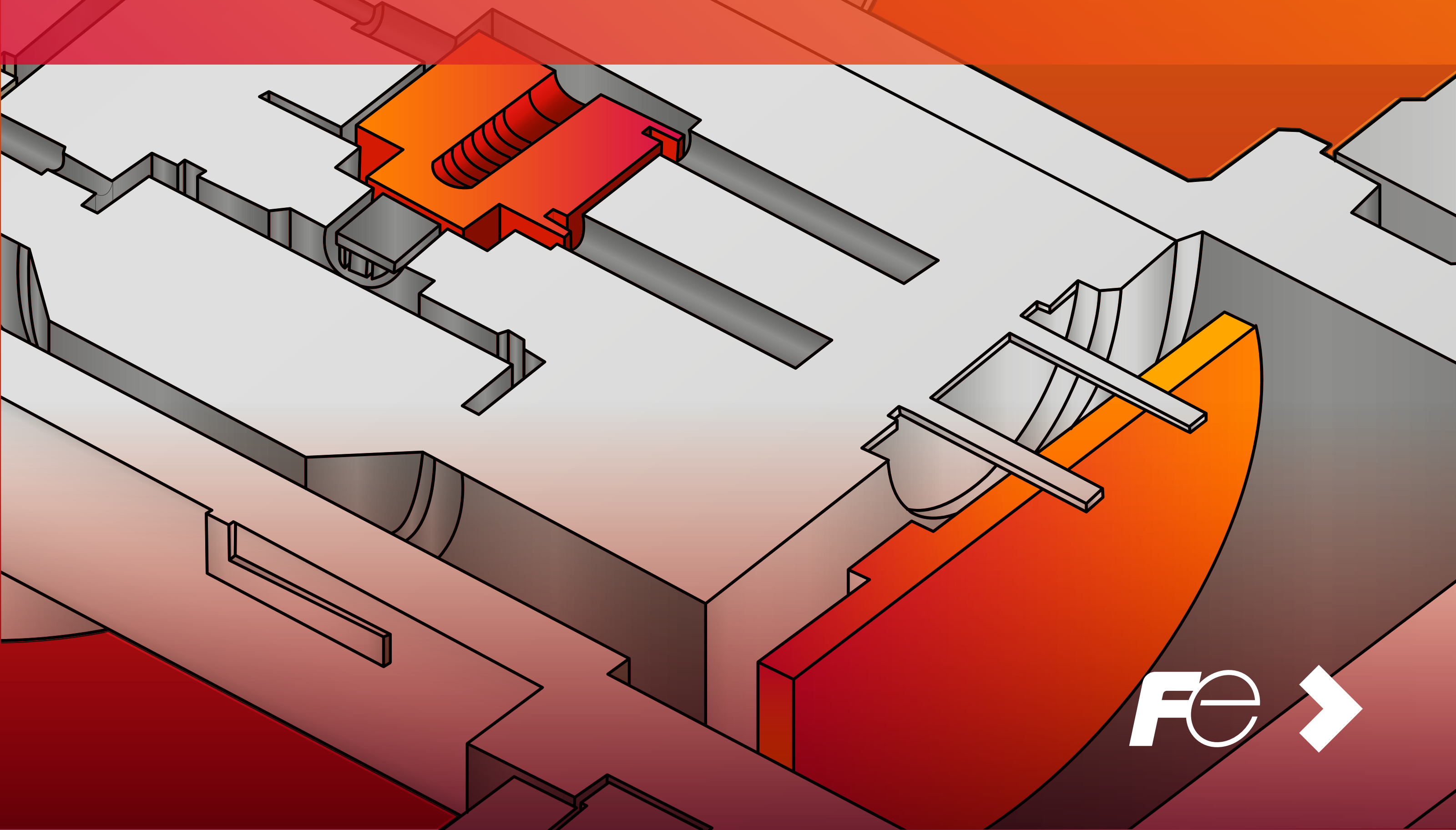
PRESSURE TRANSMITTER HAVE INTRINSIC LIMITATIONS AT HIGH TEMPERATURES 🔥



WITH RESPECT TO:

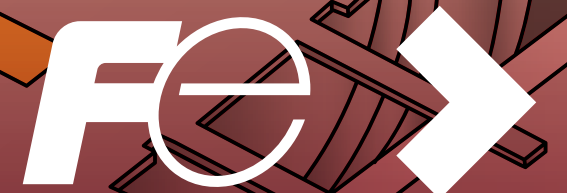
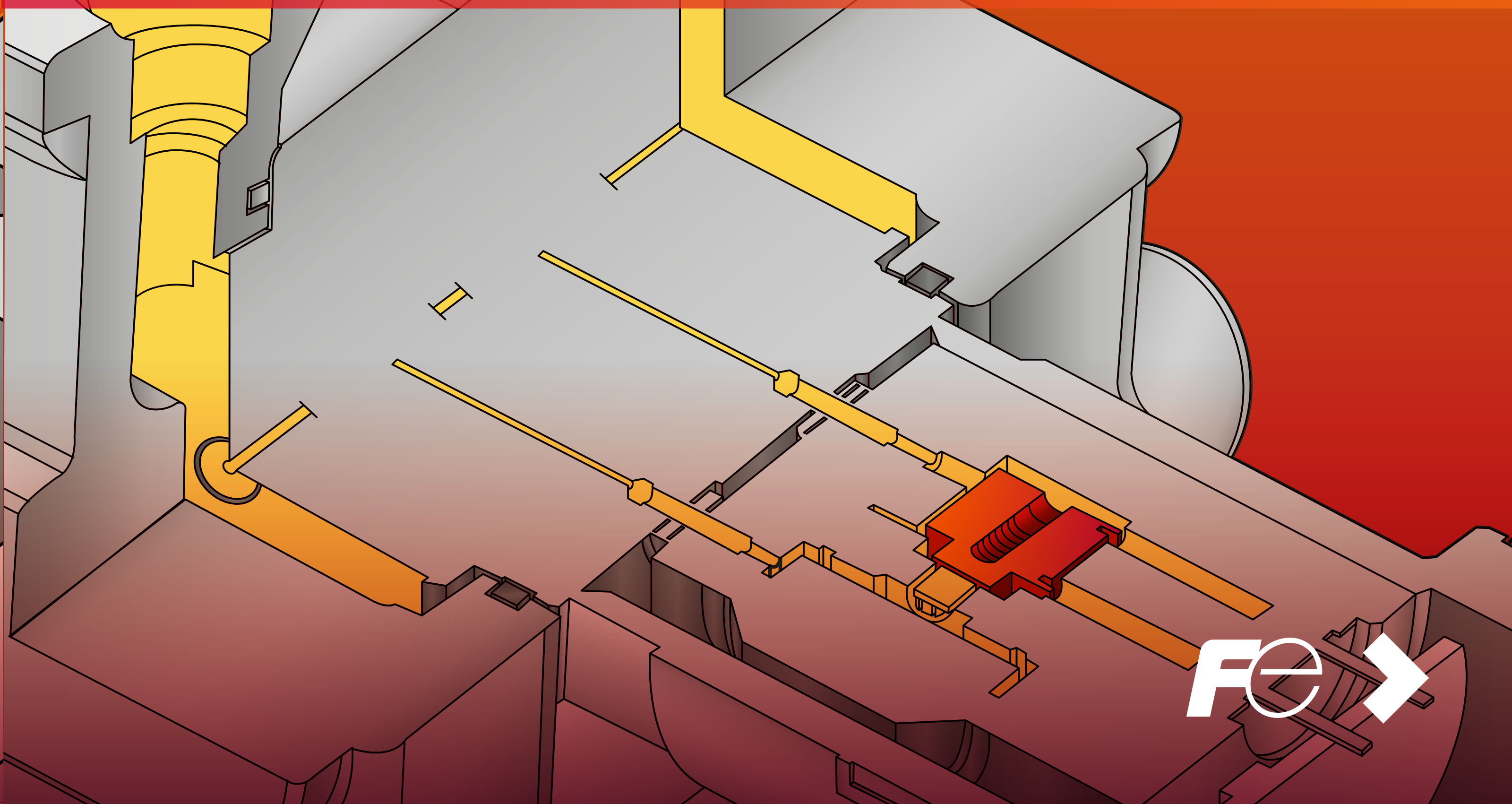
THEIR ELECTRONICS

+85°C



WITH RESPECT TO:
THEIR FILLING FLUID

+120°C

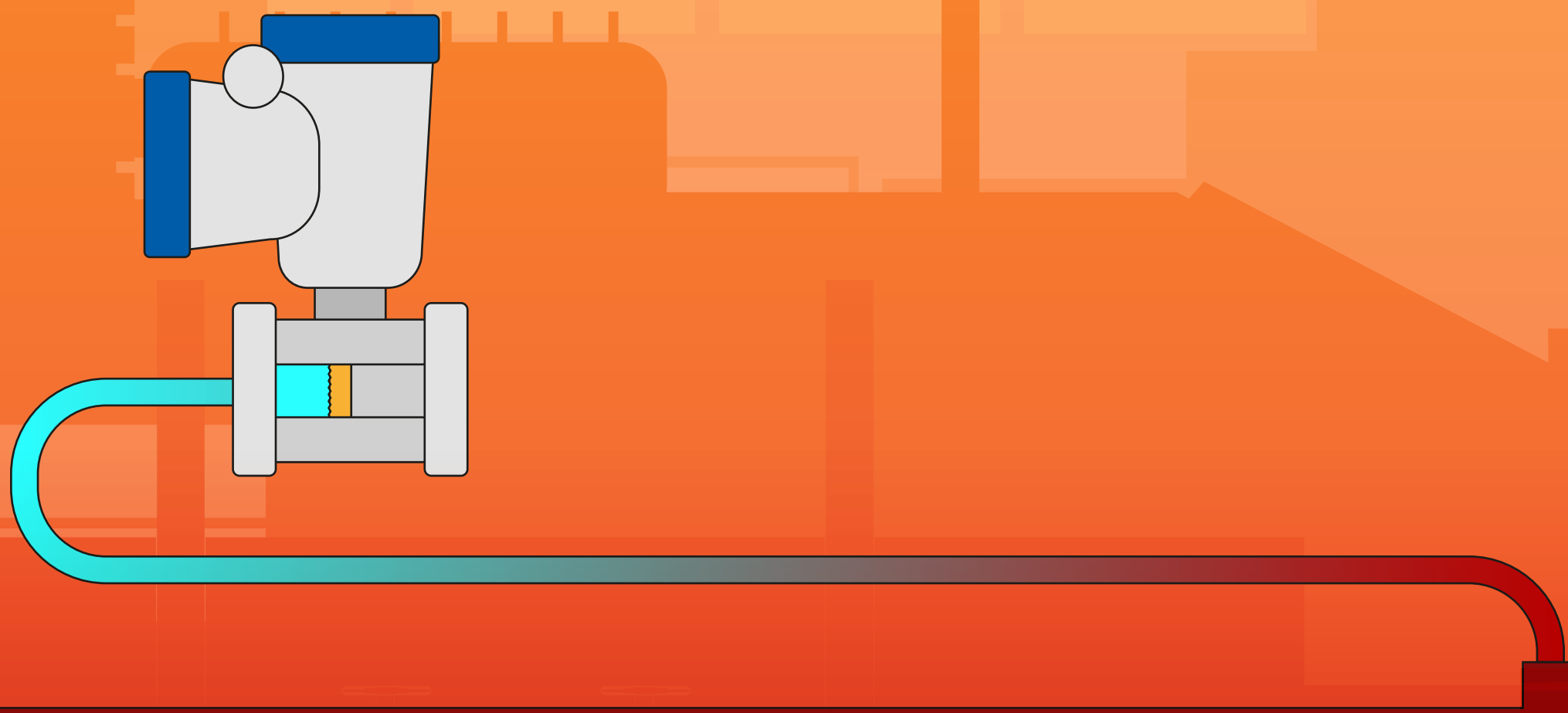


**HOW TO MEASURE
THE PRESSURE
OF YOUR HIGH
TEMPERATURE PROCESS?**



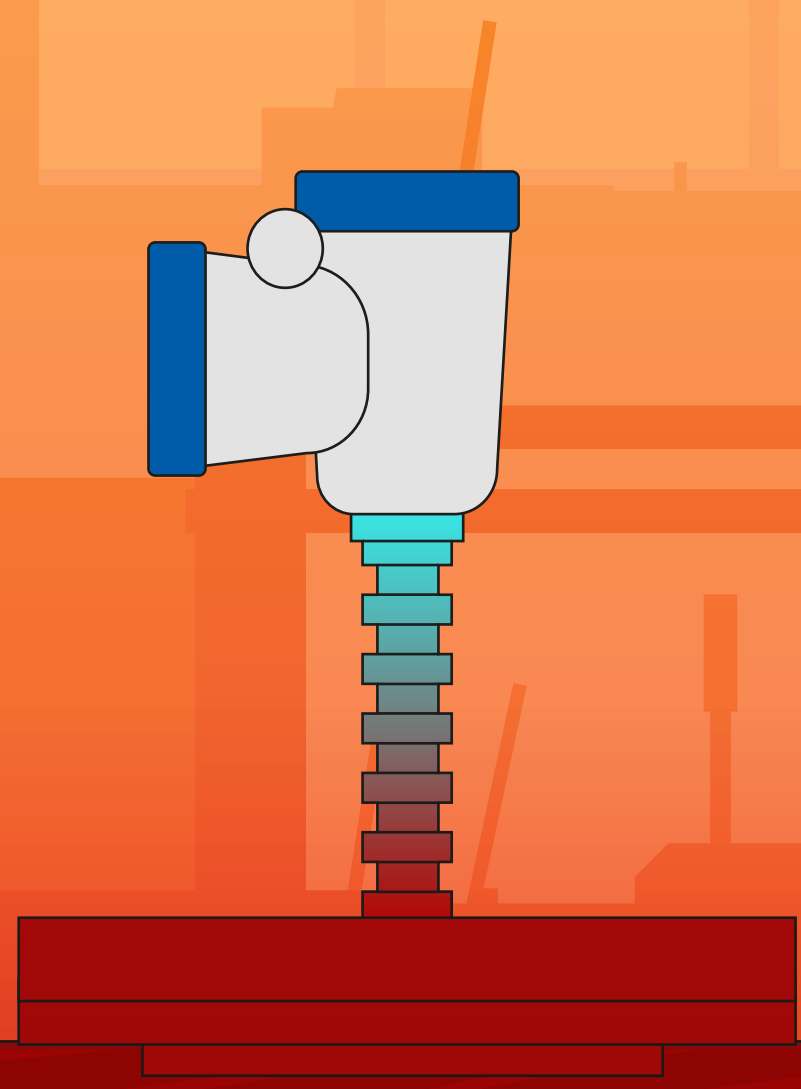
+1500°C

**REMOTE THE PRESSURE
TRANSMITTER FAR AWAY FROM THE
HEAT SOURCE USING IMPULSE LINE**



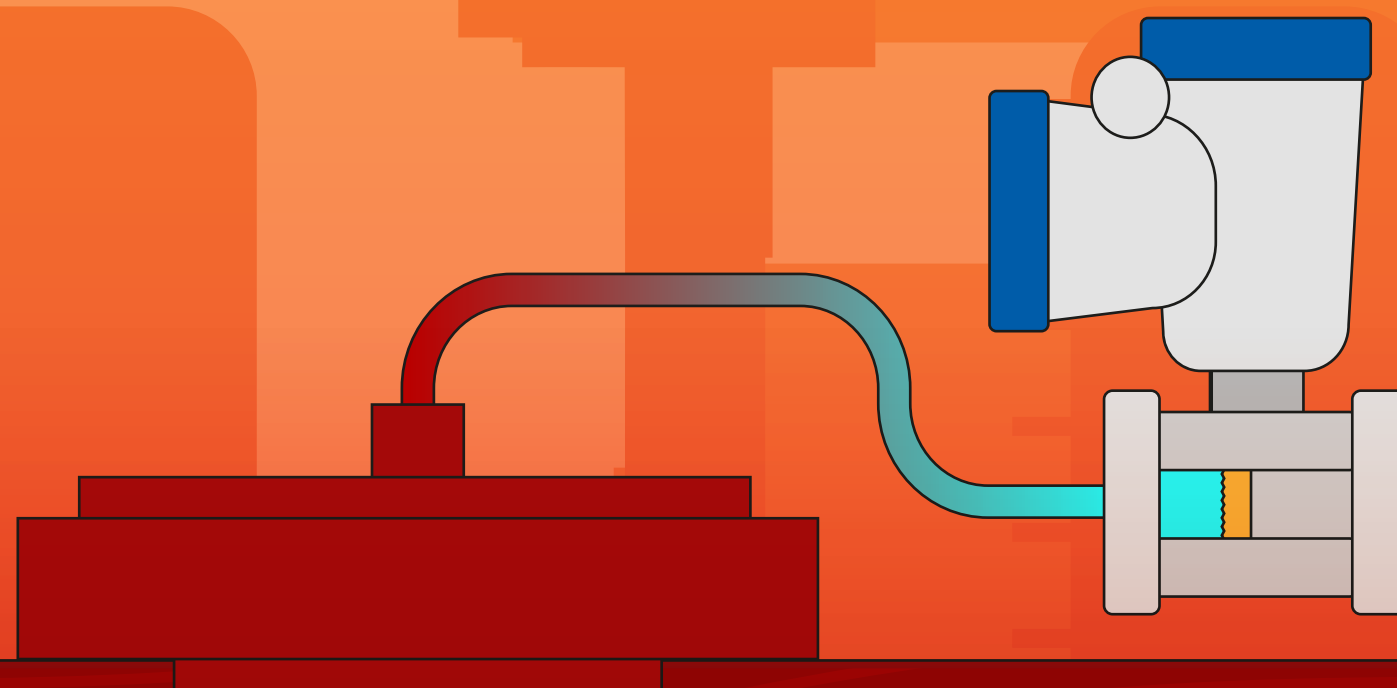
+250°C

**CHOOSE A DIRECT MOUNT
PRESSURE TRANSMITTER
WITH COOLING ELEMENT**



+400°C

**ISOLATE THE PRESSURE
TRANSMITTER FROM THE PROCESS
WITH A REMOTE SEAL DIAPHRAGM**



**ALSO CONSIDER THE
AMBIENT TEMPERATURE
WHEN CHOOSING
THE RIGHT SOLUTION**



**OUR TEAM STUDIES YOUR PROCESS
AND ITS AMBIENT TEMPERATURES**



**AND PROPOSE THE
MOST SUITABLE SOLUTION**



**LEARN MORE ABOUT OUR
PRESSURE MEASUREMENT SOLUTIONS**



www.fujielectric.fr



Fuji Electric