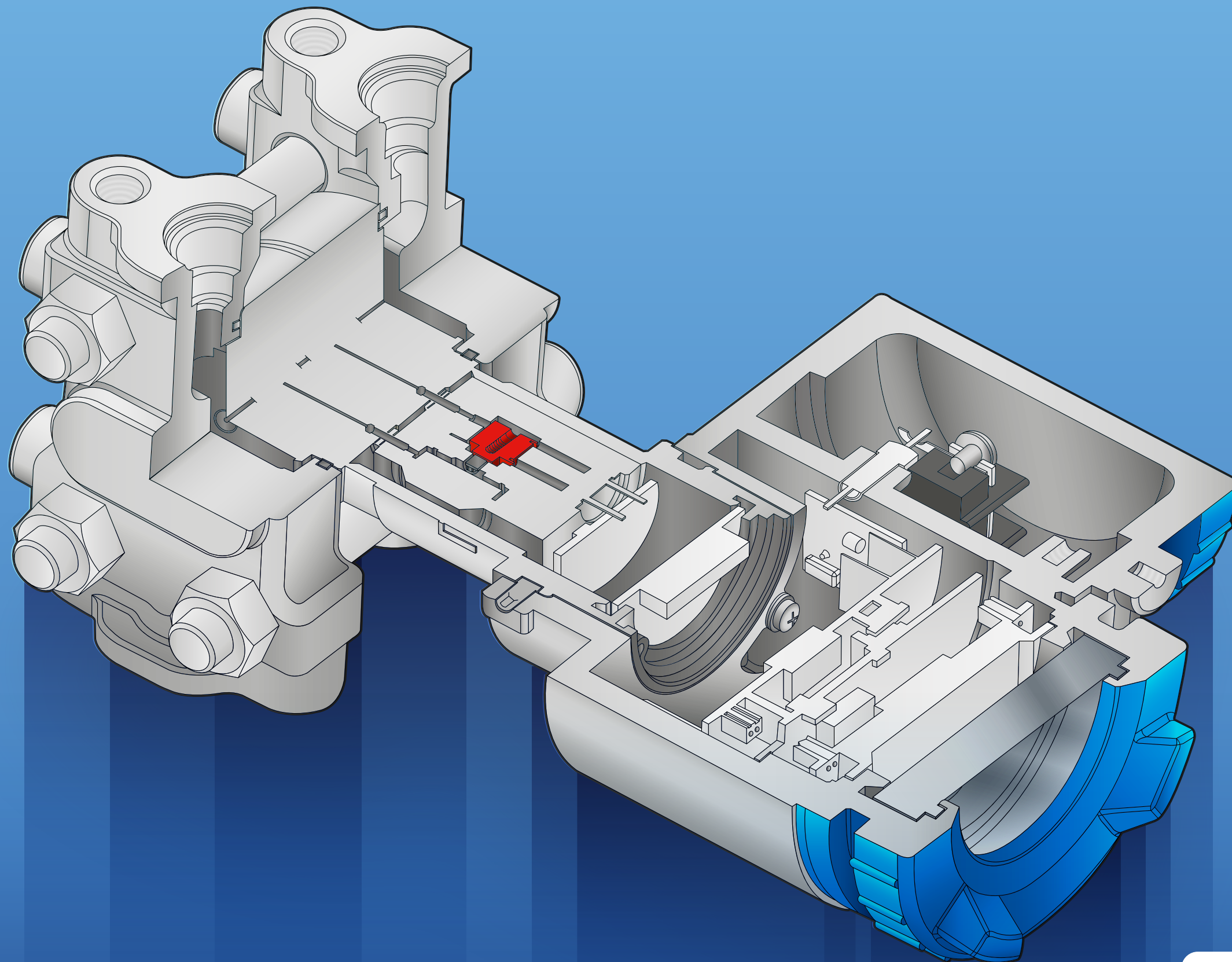


**EXTREME TEMPERATURES
IN YOUR PROCESSES
CHALLENGE YOUR
PRESSURE MEASUREMENTS?**

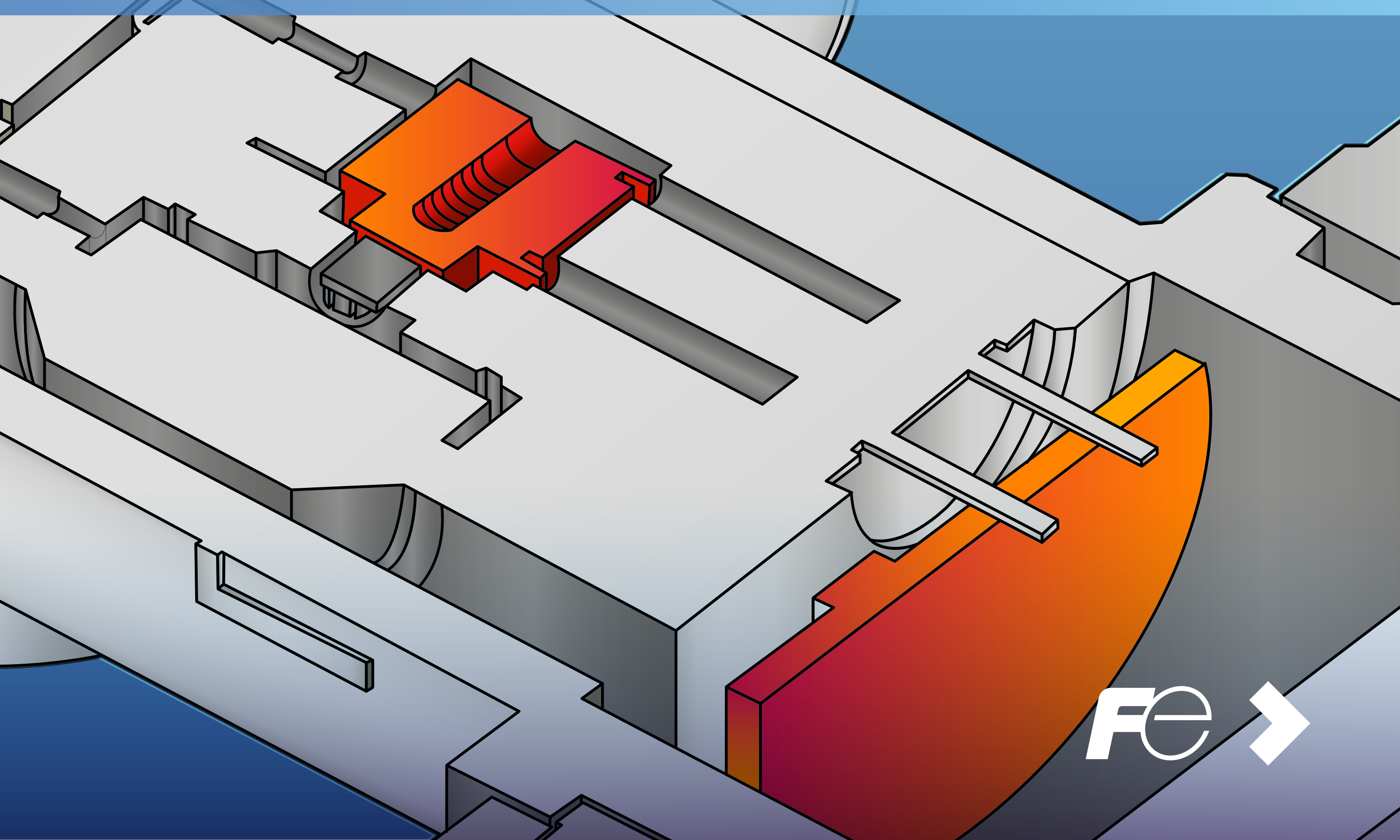


PRESSURE TRANSMITTER HAVE INTRINSIC LIMITATIONS AT LOW ❄️ TEMPERATURES



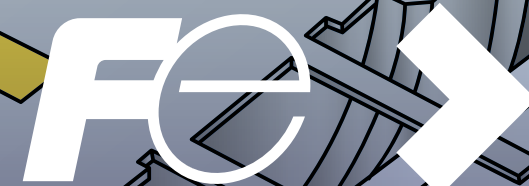
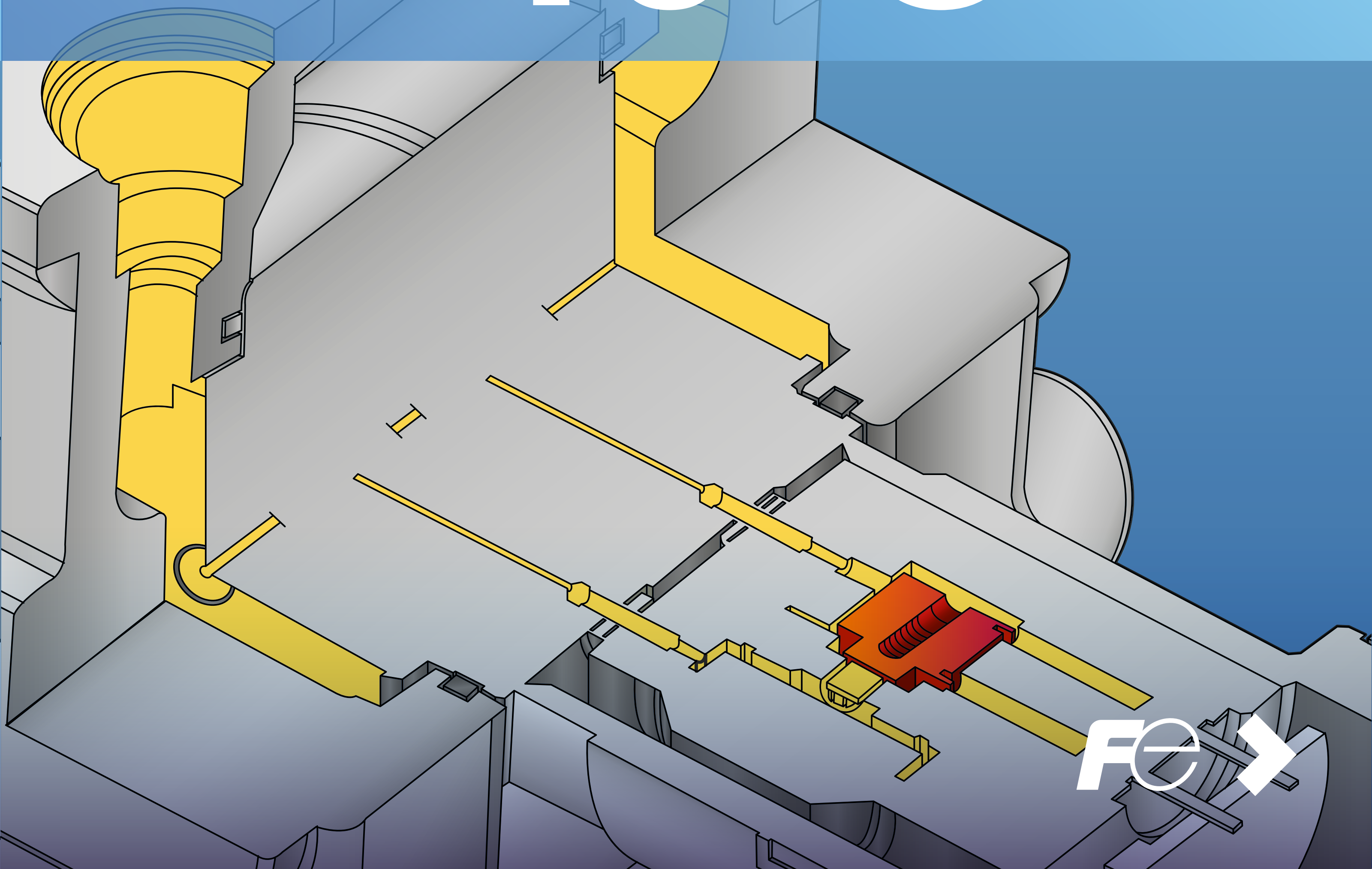
WITH RESPECT TO:
THEIR ELECTRONICS

-40°C



WITH RESPECT TO:
THEIR FILLING FLUID

-40°C

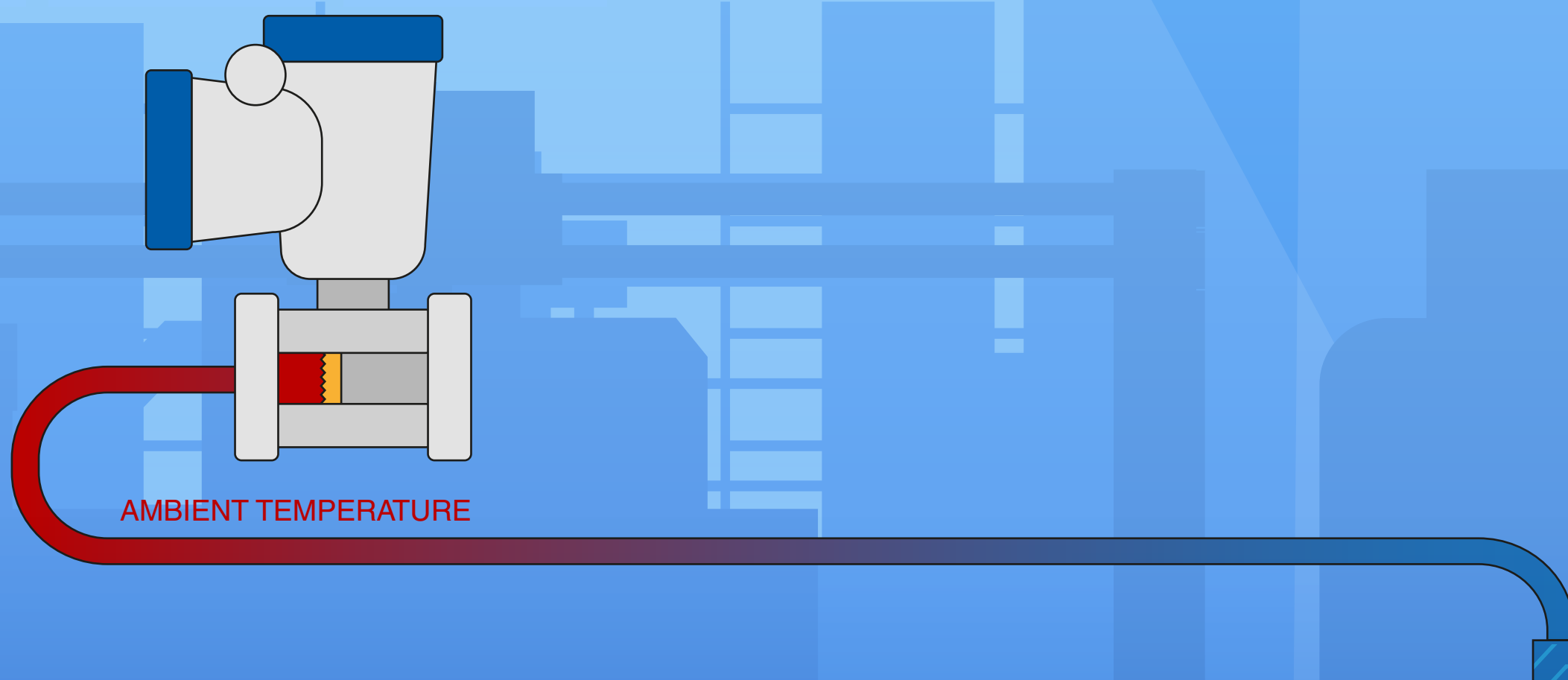


HOW TO MEASURE THE PRESSURE OF YOUR LOW TEMPERATURE PROCESS?



-160°C

REMOTE THE PRESSURE
TRANSMITTER FAR AWAY FROM THE
COLD SOURCE USING IMPULSE LINE



**ALSO CONSIDER THE
AMBIENT TEMPERATURE
WHEN CHOOSING
THE RIGHT SOLUTION**



OUR TEAM STUDIES YOUR PROCESS
AND ITS AMBIENT TEMPERATURES



AND PROPOSES THE
MOST SUITABLE SOLUTION



LEARN MORE ABOUT OUR
PRESSURE MEASUREMENT SOLUTIONS



www.fujielectric.fr



Fuji Electric